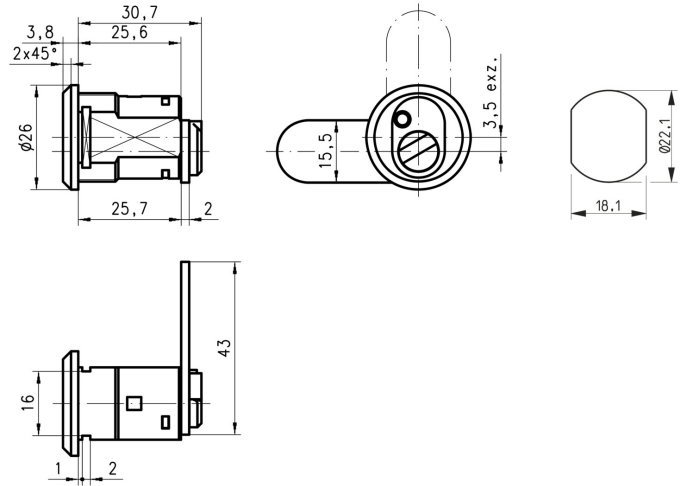


DOM 225106



SECURITY TYPE

Wafer System, Conventional Pin System, Reversible Pin System

AVAILABLE LOCKS FIXINGS

Lock Fixing ID	Lock Fixing
L1	Horseshoe Clip
L2	Nuts

AVAILABLE KEY SERIES

Key Series	Combinations	MK Possible
22	1500	Yes
2C	2600	No
2D	204	No
PR	300000	Yes
XXX	0	No

AVAILABLE ROTATIONS

Direction ID	Degrees	Direction	Key Extraction
D24	90	Left & Right	2

TECHNICAL FEATURES

Standard Finish	Matt Nickel
Number of Keys	2
Standard Cam Family	Fixed
Body Length	25.70

APPLICATIONS OF USE

Wood Furniture, Metal Furniture, Letter Boxes, Toilet doors, Electrical Equipment, Retail, Storage, Gambling Machines, Cash Machines, Ticket Machines, Transport, Energy

DOM 225106

ORDER INFORMATION

Type	Direction ID	Lock Fixing	Panel Thickness	Cam Fixing	Cam Family	Key Series	Product Code	DOM Germany Cross Reference
225-010-6	D24	Nuts	7.0	Clip	Fixed	2D	225-010-6-D24-L2-C1-2D	225KON5003 15
225-010-6	D24	Horseshoe Clip	1.0	Clip	Fixed	2D	225-010-6-D24-L1-C1-2D	225KON5003 15
225-010-6	D24	Nuts	7.0	Clip	Fixed	2C	225-010-6-D24-L2-C1-2C	225KON5003 15
225-010-6	D24	Horseshoe Clip	1.0	Clip	Fixed	2C	225-010-6-D24-L1-C1-2C	225KON5003 15
225-010-6	D24	Nuts	7.0	Clip	Fixed	PR	225-010-6-D24-L2-C1-PR	225KON5003 15
225-010-6	D24	Horseshoe Clip	1.0	Clip	Fixed	PR	225-010-6-D24-L1-C1-PR	225KON5003 15
225-010-6	D24	Nuts	7.0	Clip	Fixed	XXX	225-010-6-D24-L2-C1	225OZY50123 3
225-010-6	D24	Horseshoe Clip	1.0	Clip	Fixed	XXX	225-010-6-D24-L1-C1	225OZY50123 3
225-010-6	D24	Nuts	7.0	Clip	Fixed	22	225-010-6-D24-L2-C1-22	225KON5003 15
225-010-6	D24	Horseshoe Clip	1.0	Clip	Fixed	22	225-010-6-D24-L1-C1-22	225KON5003 15