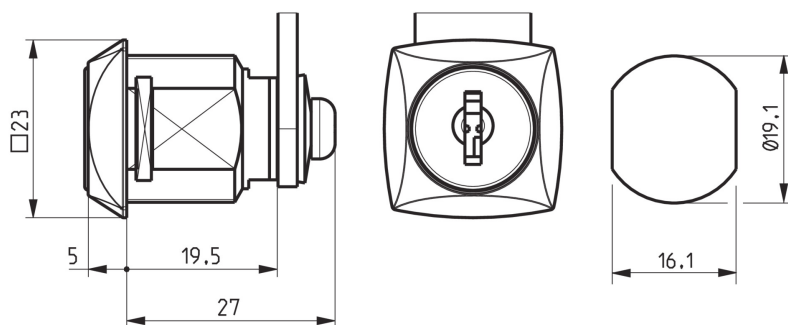


# RONIS 33800



## SECURITY TYPE

Wafer System

## AVAILABLE LOCKS FIXINGS

Lock Fixing ID	Lock Fixing
L1	Horseshoe Clip
L2	Nuts

## AVAILABLE KEY SERIES

Key Series	Combinations	MK Possible
4R	4000	Yes
CC	2000	Yes
KT	1000	Yes
SH	200	No
SM	200	Yes
TK	1000	Yes

## AVAILABLE ROTATIONS

Direction ID	Degrees	Direction	Key Extraction
D01	180	Left & Right	2
D02	90	Right Opening - Left Closing	1
D04	90	Right Opening - Left Closing	2

## TECHNICAL FEATURES

Standard Material	Zamak
Standard Finish	Bright Nickel, Bright Chrome
Number of Keys	2
Standard Cam Family	131100
Body Length	19.50

# RONIS 33800

## APPLICATIONS OF USE

Metal Furniture, Letter Boxes, Retail, Storage

## ORDER INFORMATION

Type	Direction ID	Lock Fixing	Panel Thickness	Cam Fixing	Cam Family	Key Series	Product Code	DOM Ronis Reference
33800	D01	Horseshoe Clip	0.8 - 1.2	Nuts	131100	4R	33800-D01-L1-C2-4R	33800-01
33800	D01	Horseshoe Clip	0.8 - 1.2	Nuts	131100	CC	33800-D01-L1-C2-CC	33800-01
33800	D01	Horseshoe Clip	0.8 - 1.2	Screw	131100	KT	33800-D01-L1-C3-KT	33800-01
33800	D01	Horseshoe Clip	0.8 - 1.2	Screw	131100	SH	33800-D01-L1-C3-SH	33800-01
33800	D01	Horseshoe Clip	0.8 - 1.2	Screw	131100	SM	33800-D01-L1-C3-SM	33800-01
33800	D01	Horseshoe Clip	0.8 - 1.2	Screw	131100	TK	33800-D01-L1-C3-TK	33800-01
33800	D01	Horseshoe Clip	0.8 - 1.2	Spun-on	131100	4R	33800-D01-L1-C4-4R	33800-01
33800	D01	Horseshoe Clip	0.8 - 1.2	Spun-on	131100	CC	33800-D01-L1-C4-CC	33800-01
33800	D01	Horseshoe Clip	0.8 - 1.2	Spun-on	131100	KT	33800-D01-L1-C4-KT	33800-01
33800	D01	Horseshoe Clip	0.8 - 1.2	Spun-on	131100	TK	33800-D01-L1-C4-TK	33800-01
33800	D01	Nuts	10.0	Screw	131100	KT	33800-D01-L2-C3-KT	33800-01
33800	D01	Nuts	10.0	Screw	131100	SH	33800-D01-L2-C3-SH	33800-01
33800	D01	Nuts	10.0	Screw	131100	SM	33800-D01-L2-C3-SM	33800-01
33800	D01	Nuts	10.0	Screw	131100	TK	33800-D01-L2-C3-TK	33800-01
33800	D01	Nuts	10.0	Spun-on	131100	4R	33800-D01-L2-C4-4R	33800-01
33800	D01	Nuts	10.0	Spun-on	131100	CC	33800-D01-L2-C4-CC	33800-01
33800	D01	Nuts	10.0	Spun-on	131100	KT	33800-D01-L2-C4-KT	33800-01
33800	D01	Nuts	10.0	Spun-on	131100	TK	33800-D01-L2-C4-TK	33800-01

# RONIS 33800

Type	Direction ID	Lock Fixing	Panel Thickness	Cam Fixing	Cam Family	Key Series	Product Code	DOM Ronis Reference
33800	D02	Horseshoe Clip	0.8 - 1.2	Nuts	131100	4R	33800-D02-L1-C2-4R	33800-07
33800	D02	Horseshoe Clip	0.8 - 1.2	Nuts	131100	CC	33800-D02-L1-C2-CC	33800-07
33800	D02	Horseshoe Clip	0.8 - 1.2	Screw	131100	KT	33800-D02-L1-C3-KT	33800-07
33800	D02	Horseshoe Clip	0.8 - 1.2	Screw	131100	SH	33800-D02-L1-C3-SH	33800-07
33800	D02	Horseshoe Clip	0.8 - 1.2	Screw	131100	SM	33800-D02-L1-C3-SM	33800-07
33800	D02	Horseshoe Clip	0.8 - 1.2	Screw	131100	TK	33800-D02-L1-C3-TK	33800-07
33800	D02	Horseshoe Clip	0.8 - 1.2	Spun-on	131100	4R	33800-D02-L1-C4-4R	33800-07
33800	D02	Horseshoe Clip	0.8 - 1.2	Spun-on	131100	CC	33800-D02-L1-C4-CC	33800-07
33800	D02	Horseshoe Clip	0.8 - 1.2	Spun-on	131100	KT	33800-D02-L1-C4-KT	33800-07
33800	D02	Horseshoe Clip	0.8 - 1.2	Spun-on	131100	TK	33800-D02-L1-C4-TK	33800-07
33800	D02	Nuts	10.0	Nuts	131100	4R	33800-D02-L2-C2-4R	33800-07
33800	D02	Nuts	10.0	Nuts	131100	CC	33800-D02-L2-C2-CC	33800-07
33800	D02	Nuts	10.0	Screw	131100	KT	33800-D02-L2-C3-KT	33800-07
33800	D02	Nuts	10.0	Screw	131100	SH	33800-D02-L2-C3-SH	33800-07
33800	D02	Nuts	10.0	Screw	131100	SM	33800-D02-L2-C3-SM	33800-07
33800	D02	Nuts	10.0	Screw	131100	TK	33800-D02-L2-C3-TK	33800-07
33800	D02	Nuts	10.0	Spun-on	131100	4R	33800-D02-L2-C4-4R	33800-07
33800	D02	Nuts	10.0	Spun-on	131100	CC	33800-D02-L2-C4-CC	33800-07
33800	D02	Nuts	10.0	Spun-on	131100	KT	33800-D02-L2-C4-KT	33800-07
33800	D02	Nuts	10.0	Spun-on	131100	TK	33800-D02-L2-C4-TK	33800-07

# RONIS 33800

Type	Direction ID	Lock Fixing	Panel Thickness	Cam Fixing	Cam Family	Key Series	Product Code	DOM Ronis Reference
33800	D04	Horseshoe Clip	0.8 - 1.2	Nuts	131100	4R	33800-D04-L1-C2-4R	33800-08
33800	D04	Horseshoe Clip	0.8 - 1.2	Nuts	131100	CC	33800-D04-L1-C2-CC	33800-08
33800	D04	Horseshoe Clip	0.8 - 1.2	Screw	131100	KT	33800-D04-L1-C3-KT	33800-08
33800	D04	Horseshoe Clip	0.8 - 1.2	Screw	131100	SH	33800-D04-L1-C3-SH	33800-08
33800	D04	Horseshoe Clip	0.8 - 1.2	Screw	131100	SM	33800-D04-L1-C3-SM	33800-08
33800	D04	Horseshoe Clip	0.8 - 1.2	Screw	131100	TK	33800-D04-L1-C3-TK	33800-08
33800	D04	Horseshoe Clip	0.8 - 1.2	Spun-on	131100	4R	33800-D04-L1-C4-4R	33800-08
33800	D04	Horseshoe Clip	0.8 - 1.2	Spun-on	131100	CC	33800-D04-L1-C4-CC	33800-08
33800	D04	Horseshoe Clip	0.8 - 1.2	Spun-on	131100	KT	33800-D04-L1-C4-KT	33800-08
33800	D04	Horseshoe Clip	0.8 - 1.2	Spun-on	131100	TK	33800-D04-L1-C4-TK	33800-08
33800	D04	Nuts	10.0	Nuts	131100	4R	33800-D04-L2-C2-4R	33800-08
33800	D04	Nuts	10.0	Nuts	131100	CC	33800-D04-L2-C2-CC	33800-08
33800	D04	Nuts	10.0	Screw	131100	KT	33800-D04-L2-C3-KT	33800-08
33800	D04	Nuts	10.0	Screw	131100	SH	33800-D04-L2-C3-SH	33800-08
33800	D04	Nuts	10.0	Screw	131100	SM	33800-D04-L2-C3-SM	33800-08
33800	D04	Nuts	10.0	Screw	131100	TK	33800-D04-L2-C3-TK	33800-08
33800	D04	Nuts	10.0	Spun-on	131100	4R	33800-D04-L2-C4-4R	33800-08
33800	D04	Nuts	10.0	Spun-on	131100	CC	33800-D04-L2-C4-CC	33800-08
33800	D04	Nuts	10.0	Spun-on	131100	KT	33800-D04-L2-C4-KT	33800-08
33800	D04	Nuts	10.0	Spun-on	131100	TK	33800-D04-L2-C4-TK	33800-08

# RONIS 33800

---

Type	Direction ID	Lock Fixing	Panel Thickness	Cam Fixing	Cam Family	Key Series	Product Code	DOM Ronis Reference
33800	D01	Nuts	0.8 - 1.2	Nuts	131100	4R	33800-D01-L2-C2-4R	33800-01
33800	D01	Nuts	0.8 - 1.2	Nuts	131100	CC	33800-D01-L2-C2-CC	33800-01