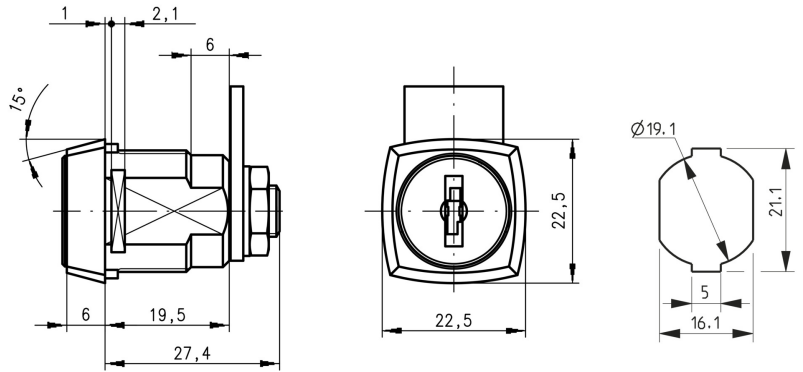


DOM 447201



SECURITY TYPE

Wafer System

AVAILABLE LOCKS FIXINGS

Lock Fixing ID	Lock Fixing
L1	Horseshoe Clip
L2	Nuts

AVAILABLE KEY SERIES

Key Series	Combinations	MK Possible
1H	4088	Yes
2H	2088	Yes

AVAILABLE ROTATIONS

Direction ID	Degrees	Direction	Key Extraction
D01	180	Left & Right	2
D02	90	Right Opening - Left Closing	1
D03	90	Left Opening - Right Closing	1

TECHNICAL FEATURES

Standard Finish	Matt Chrome
Number of Keys	2
Standard Cam Family	447
Body Length	19.50

APPLICATIONS OF USE

Wood Furniture, Metal Furniture, Letter Boxes, Toilet doors, Electrical Equipment, Retail, Storage

DOM 447201

ORDER INFORMATION

Type	Direction ID	Lock Fixing	Panel Thickness	Cam Fixing	Cam Family	Key Series	Product Code	DOM Germany Cross Reference
447-020-3	D01	Horseshoe Clip	1.0	Nuts	447	2H	447-020-3-D01-L1-C2-2H	447PL501782
447-020-1	D02	Nuts	10.0	Nuts	447	1H	447-020-1-D02-L2-C2-1H	447PL501778
447-020-1	D02	Horseshoe Clip	1.0	Nuts	447	1H	447-020-1-D02-L1-C2-1H	447PL501778
447-020-2	D03	Nuts	10.0	Nuts	447	1H	447-020-2-D03-L2-C2-1H	447PL501780
447-020-2	D03	Horseshoe Clip	1.0	Nuts	447	1H	447-020-2-D03-L1-C2-1H	447PL501780
447-020-3	D01	Nuts	10.0	Nuts	447	1H	447-020-3-D01-L2-C2-1H	447PL501782
447-020-3	D01	Horseshoe Clip	1.0	Nuts	447	1H	447-020-3-D01-L1-C2-1H	447PL501782
447-020-1	D02	Nuts	10.0	Nuts	447	2H	447-020-1-D02-L2-C2-2H	447PL501778
447-020-1	D02	Horseshoe Clip	1.0	Nuts	447	2H	447-020-1-D02-L1-C2-2H	447PL501778
447-020-2	D03	Nuts	10.0	Nuts	447	2H	447-020-2-D03-L2-C2-2H	447PL501780
447-020-2	D03	Horseshoe Clip	1.0	Nuts	447	2H	447-020-2-D03-L1-C2-2H	447PL501780
447-020-3	D01	Nuts	10.0	Nuts	447	2H	447-020-3-D01-L2-C2-2H	447PL501782