

Technical Data DOM Tapkey Pro Padlock

General:

- Padlock without forced closing

Technology:

- 13,56 MHz Mifare

Material:

- Housing: Solid brass, surface matt chrome plated
- Bottom plate: Polyamide (PA66)
- Shackle: Steel (10B21), surface brilliant chrome plated
- Knob of cylinder: Stainless steel 1.4305

Durability:

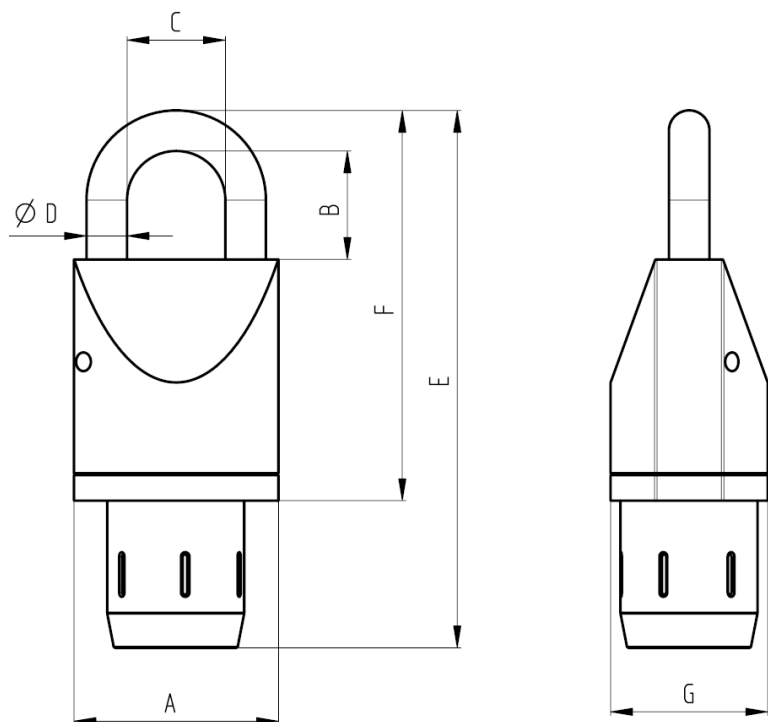
- Padlock: at least 10.000 cycles (according to DIN EN 12320, class 1)
- Cylinder: at least 100.000 cycles (according DIN EN 1303 and EN 15684 grade 6)

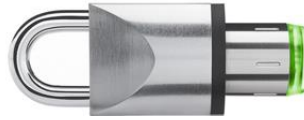
Mechanical strength:

- Strength of shackle:
 - Tensile strength: ≥ 15 kN (Ch. 5.5.5, DIN EN 12320)
 - Torsional strength: ≥ 200 Nm (Ch. 5.5.6, DIN EN 12320)
 - Cutting strength: ≥ 25 kN (Ch. 5.5.7, DIN EN 12320)
- Impact resistance of padlock housing and shackle:
 - tested with 5 shocks at -20°C (falling mass of 1.250 g from a height of 800 mm)

Dimensions:

• Width	A =	56 mm
• Thickness	G =	43 mm
• Length without knob	F =	109 mm
with knob	E =	150 mm
• Shackle diameter	D =	11,1 mm
• Inner shackle height	B =	30 mm
• Inner shackle width	C =	27 mm

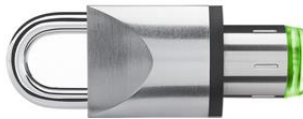




Technical Data DOM Tapkey Pro Padlock

Power supply:	<ul style="list-style-type: none"> • battery pack with 2 lithium cells 3,0 Volt • type CR2 (Li-MnO₂ system) 																		
Battery life time and data preservation:	<p>at room temperature (+20°C):</p> <ul style="list-style-type: none"> • up to 25.000 locking cycles <u>or</u> • up to 3 years by typical 10 use per day <ul style="list-style-type: none"> • multilevel alarm system in case of voltage drop • 10 years data preservation without battery 																		
Time / Date:	<ul style="list-style-type: none"> • buffering typically 1 minute (in case of battery change) • clock drift at room temperature: ±10 minutes/year at -25°C and +70°C: -50 minutes/year 																		
Signalling:	<ul style="list-style-type: none"> • optical signalling (red/green/blue) • circular lighting segments in knob cover 																		
Clutch duration:	<ul style="list-style-type: none"> • adjustable ranging from 1 to 30 seconds 																		
Certifications of cylinder:	<ul style="list-style-type: none"> • VdS-BZ+ approval in preparation • certification according to EN 15684 (PIV test report 49-2/15) <table border="1" style="width: 100%; border-collapse: collapse; text-align: center;"> <thead> <tr> <th>Digit</th> <th>1</th> <th>2</th> <th>3</th> <th>4</th> <th>5</th> <th>6</th> <th>7</th> <th>8</th> </tr> </thead> <tbody> <tr> <td>DOM Tapkey Pro cylinder</td> <td>1</td> <td>6</td> <td>B</td> <td>4</td> <td>A</td> <td>F</td> <td>3</td> <td>2</td> </tr> </tbody> </table>	Digit	1	2	3	4	5	6	7	8	DOM Tapkey Pro cylinder	1	6	B	4	A	F	3	2
Digit	1	2	3	4	5	6	7	8											
DOM Tapkey Pro cylinder	1	6	B	4	A	F	3	2											
Certifications of padlock:	<ul style="list-style-type: none"> • Certified according to DIN EN 12320 (PIV test report 51-2/15): <table border="1" style="width: 100%; border-collapse: collapse; text-align: center;"> <thead> <tr> <th>Digit</th> <th>1</th> <th>2</th> <th>3</th> <th>4</th> </tr> </thead> <tbody> <tr> <td>Padlock DOM Tapkey Pro</td> <td>1</td> <td>1</td> <td>3</td> <td>3</td> </tr> </tbody> </table>	Digit	1	2	3	4	Padlock DOM Tapkey Pro	1	1	3	3								
Digit	1	2	3	4															
Padlock DOM Tapkey Pro	1	1	3	3															
Environmental:	<ul style="list-style-type: none"> • Padlock in combination with ENiQ Pro cylinder: <ul style="list-style-type: none"> - Temperature: -25°C to +65°C - Humidity: 20-96% no condensation - anticorrosive according to class 3 DIN EN 12320 (salt spray test 96 h) • Locking cylinder: <ul style="list-style-type: none"> - Temperature: -25°C to +65°C (class 4 EN 15684) - Humidity: 20-99% no condensation (class 4 EN 15684) - Protection class: IP66 (knob), IP65 (complete cylinder) - anticorrosive according to class 3 DIN EN 1670 (salt spray test 96 h) 																		
Programming:	<ul style="list-style-type: none"> • Programming via NFC Android Device; Android 4.4 or higher • Google ID or Tapkey ID required 																		
Events:	<ul style="list-style-type: none"> • ring buffer for the latest 1.000 events 																		





Technical Data

DOM Tapkey Pro Padlock

Inductive transponder interface:

- reading range: up to 3 cm
- frequency: 13,56 MHz
- field strength in 10 m distance: < 42 dB μ A/m
- in conformity with ETSI EN 300 330

- supports passive transponders according to ISO 14443 A
- supports NFC according to ISO/IEC 18092

- encryption: Mifare DESFire EV2: AES-128 Bit

Transponder types:

- DOM Standard Tag

Storage of access authorisations

Access authorization on Transponder:

- Up to 12 Devices

Access authorization on Android NFC Device:

- No limit of Devices
- No limit of User (Google or Tapkey IDs)



These data correspond to the actual development status and are subject to change at any time without notice.