



Technical Data

Pro Padlock

Power supply:

- Battery pack with 2 lithium cells 3.0 Volt
- Type CR2 (Li-MnO₂ system)

Battery life time and data preservation:

At room temperature (+20°C) for ENiQ / ELS / Tapkey Padlock:

- Up to 80.000 / 50.000 / 35.000 locking cycles or
- Up to 3,5 / 3 / 2 years in case of non-use or
- Up to 3 / 2,5 / 1,5 years for typical 10 locking cycles per day

Intelligent battery management:

- Multilevel temperature-compensated alarm system in case of voltage drop
- 10 years data preservation without battery

Durability:

- Padlock: at least 10.000 cycles (according to DIN EN 16864, grade 1)
- Cylinder: at least 100.000 cycles (according to EN 15684 grade 6)

Signalling:

- Optical signalling by 4 multicolour LEDs
- Circular lighting segments in knob cover

Environmental:

- Temperature: -25°C to +65°C (grade 4 of EN 15684)
- Humidity: 20-99%, no condensation

- Protection class : IP 65 (PIV test report 44-13/21)

- Corrosion resistance: Grade 3 of DIN EN 16864 (salt spray test 96 h, grade 3 of DIN EN 1670)

Material:

- Housing: Solid brass, surface matt chrome plated
- Shackle: Steel (10B21), surface brilliant chrome plated
- Bottom plate: Polyamide (PA66)
- Elastic rubber: EPDM
- Knob of cylinder: Knob sleeve: Stainless steel 1.4305
Cap: Polyamide (PA12)

Dimensions:

Padlock housing

- Housing width: 56 mm
with elastic protection 63,9 mm
- Housing thickness: 43 mm
with elastic protection 50,9 mm
- Housing length (without knob): 70 mm

Shackle available in three lengths

- Inner shackle length L: 30, 50 or 70 mm
- Inner shackle width: 27 mm
- Shackle diameter: 11 mm

Cylinder knob

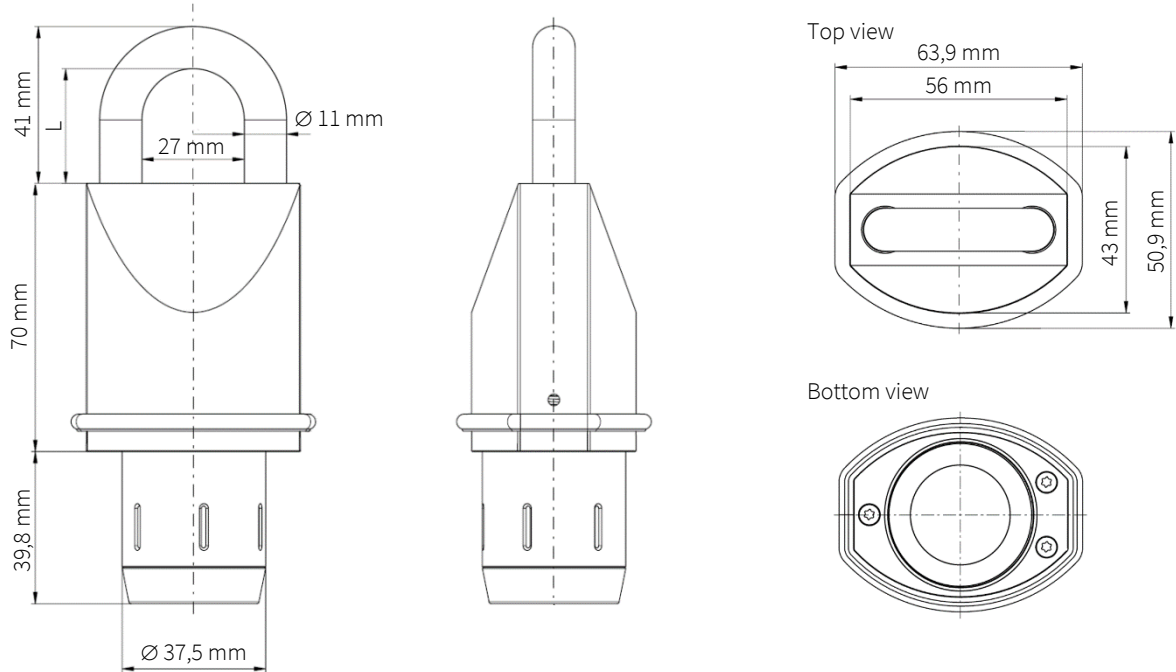
- Knob length: 39,8 mm
- Knob diameter: 37,5 mm

Programming, Transponders, RFID and RF interfaces:

- For ENiQ Pro Padlock, ELS Pro Padlock and Tapkey Pro Padlock: Access control functions in line with ENiQ, ELS and Tapkey portfolio

Technical Data | Pro Padlock

Drawing



Classification of Pro cylinder according to EN 15684:2013-01 *)

digit	1	2	3	4	5	6	7	8
	Category of use	Durability	Fire & smoke doors	Environmental resistance	Key related security	Credential related security	System management	Attack resistance
grade	1	6	B	4	A	F	3	2

*) According to PIV test reports 49-2/15 and 49-8/19 for ENiQ Pro
 PIV test report 49-6/15 for ELS Pro
 PIV test report 49-4/18 for Tapkey Pro

Classification of Pro padlock according to EN 16864:2017-11 (PIV test report 58-5/21)

digit	1	2	3	4	5	6	7	8
	Category of use	Durability	Corrosion resistance	Environmental resistance	Key related security	Credential related security	System management	Attack resistance
grade	0	1	3	3	0	D	3	3



All data correspond to the actual development status and are subject to change at any time without notice.