



ENIQ®

ELS®



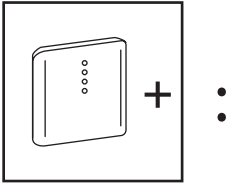
tapkey



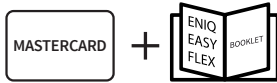
-ACM



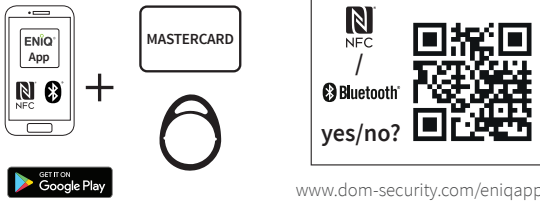
! ENIQ®:



/.

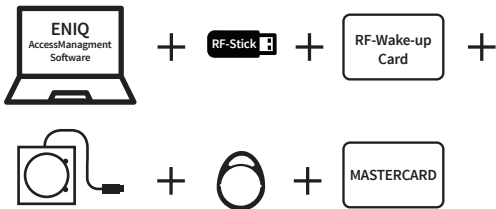


/.

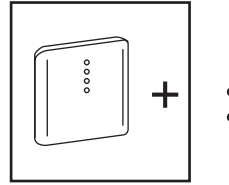


www.dom-security.com/eniqapp

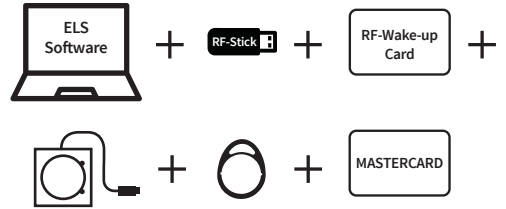
/.



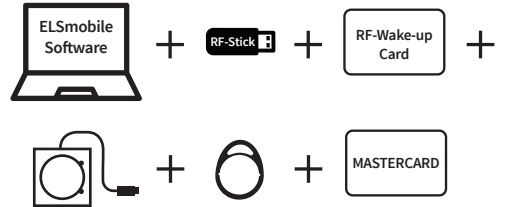
! ELS®:



/.

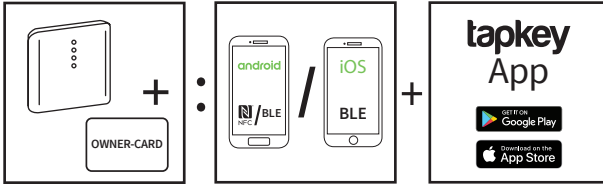


/.



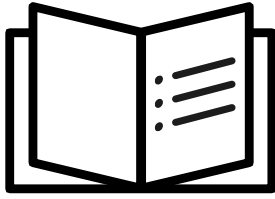


tapkey :



This block contains the following elements: 1. NFC logo (NFC) and Bluetooth logo (Bluetooth). 2. A QR code. 3. The text 'yes/no?'. 4. The URL www.dom-security.com/tapkey.





1.



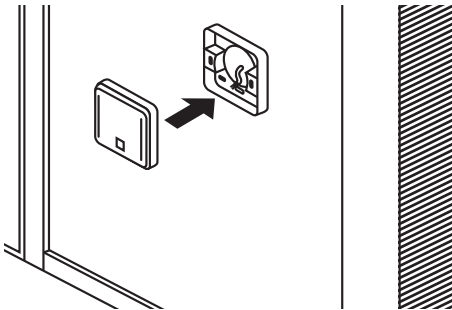
13

2.



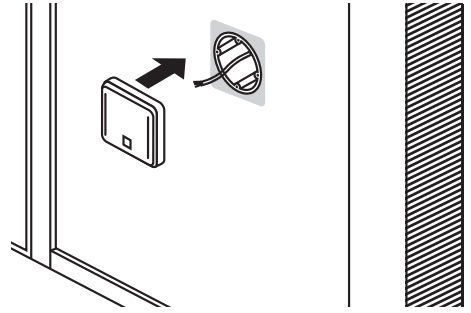
16

2.1



16

2.2



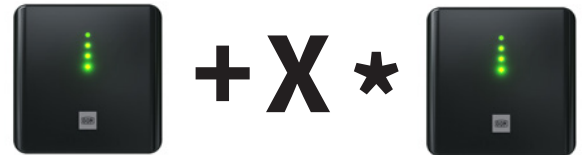
18

3.



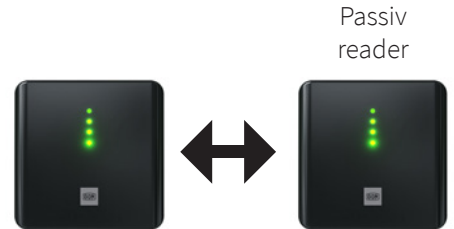
20

4.



22

4.1



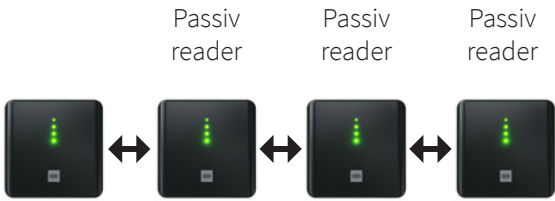
22

4.2



24

4.3



26

5.



28

6.



29

6.1



29

6.2



31

6.3



34

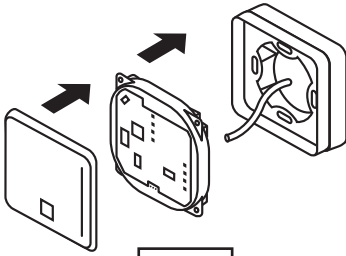
6.4



35

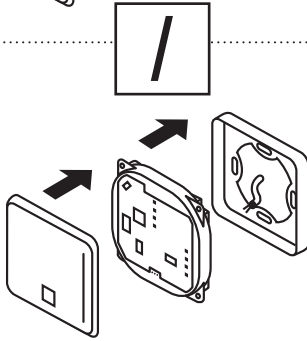
7.

7.1



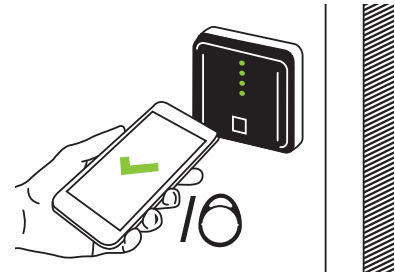
36

7.2



38

8.



40

8.1



40

8.2



42

8.3



43

8.4



46

8.5



49

8.6



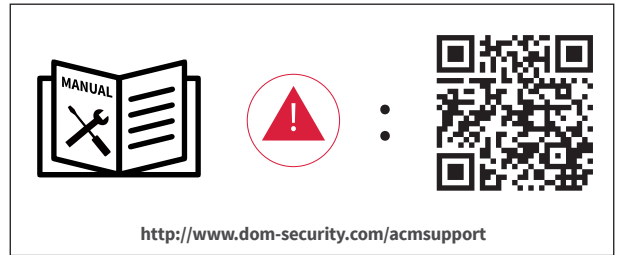
50

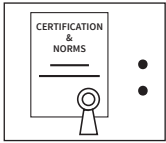
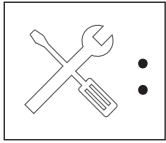
8.7



51

1.



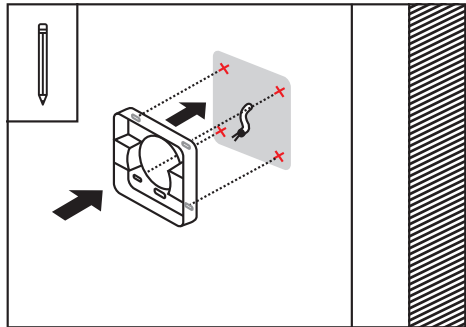
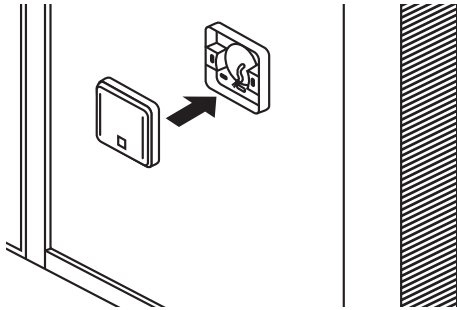


<http://www.dom-security.com/acmsupport>

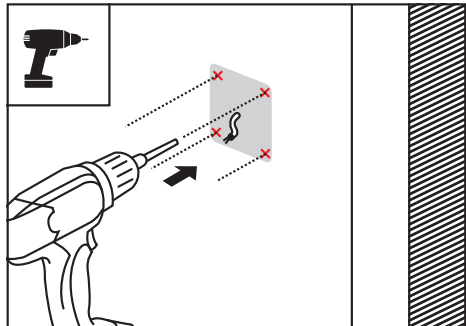
2.



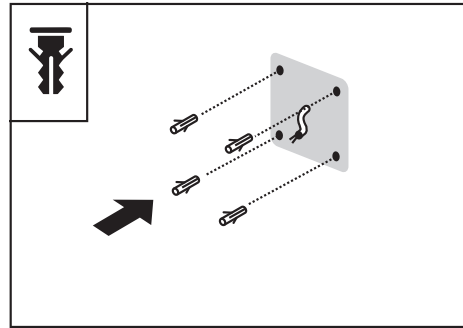
2.1



2.1.1

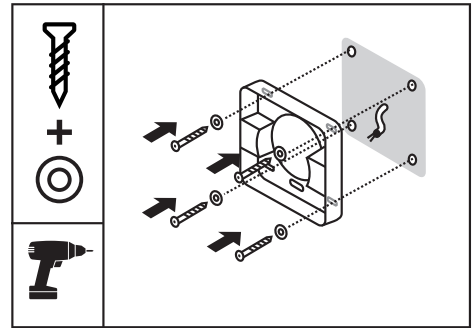


2.1.2

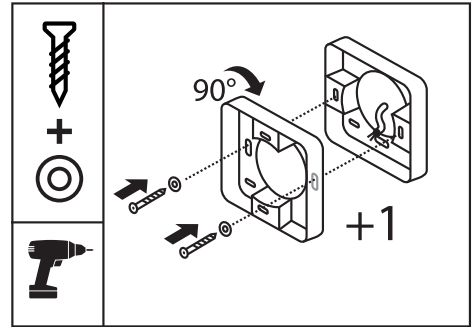


2.1.3

2.1.4

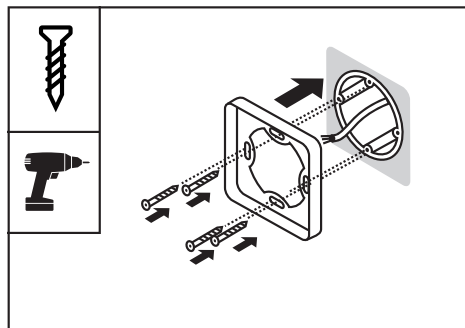
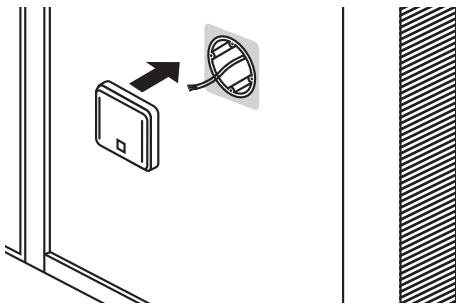


1+X



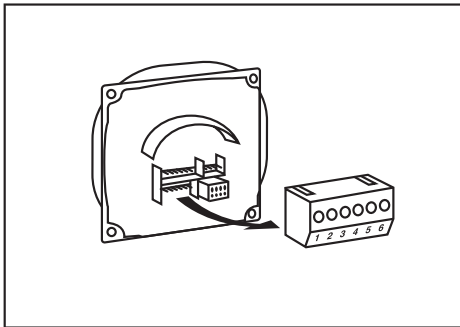
2.1.5

2.2

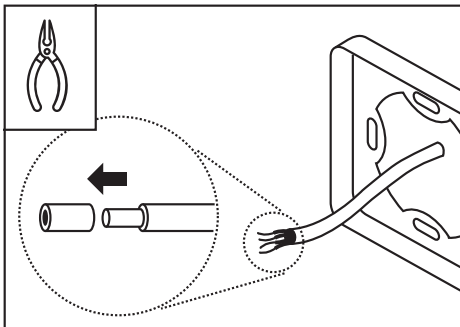


2.2.1

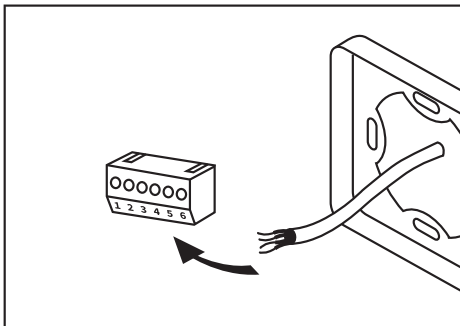
3.



3.1.1



3.1.2



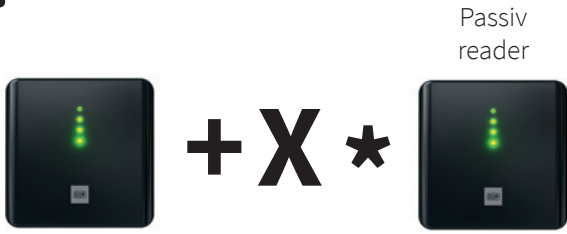
3.1.3

3.1.4

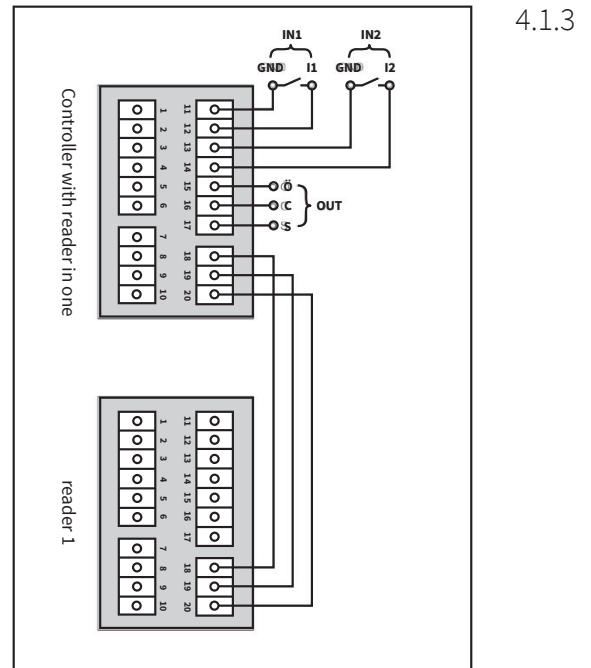
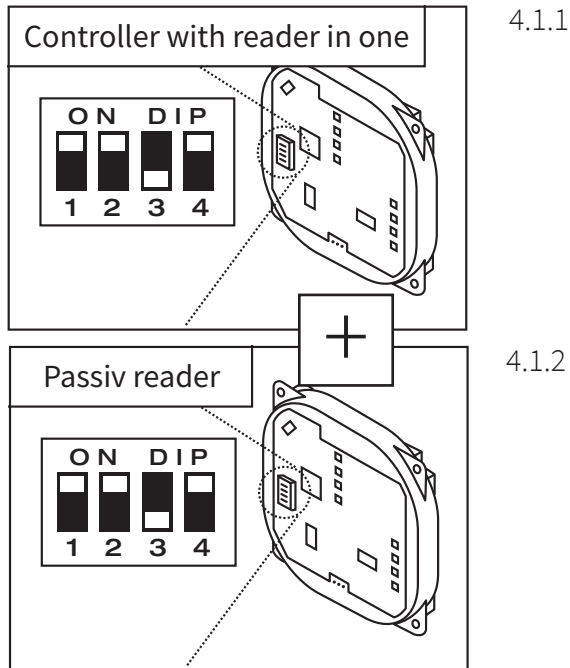
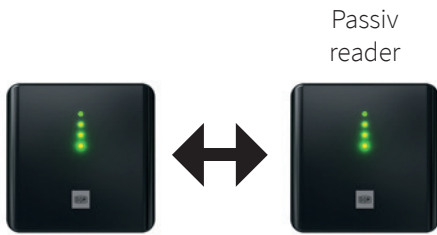
ENiQ V2/ELS V8/DOM Tapkey V1 devices

Pin No.	Labelling	Function
1	RD-	Ethernet
2	RD+	Ethernet
3	TD-	Ethernet
4	TD+	Ethernet
5	44-57 V PoE	Provision of external power
6	44-57 V PoE	Provision of external power
7	DC In + 12-24 V	Power supply for the unit
8	DC In - 12-24 V	Power supply for the unit
9	DC Out +	Provision of external power
10	DC Out -	Provision of external power
11	IN1	Input 1
12	GND	Input 1
13	IN2	Input 2
14	GND	Input 2
15	Ö (NC)	Opener contact (normally-closed contact)
16	C	Common contact
17	S (NO)	Closer contact (normally-open contact)
18	RxD	Receive RS232/RS485
19	TxD	Transmit RS232/RS485
20	GND	Earth for RS232/RS485

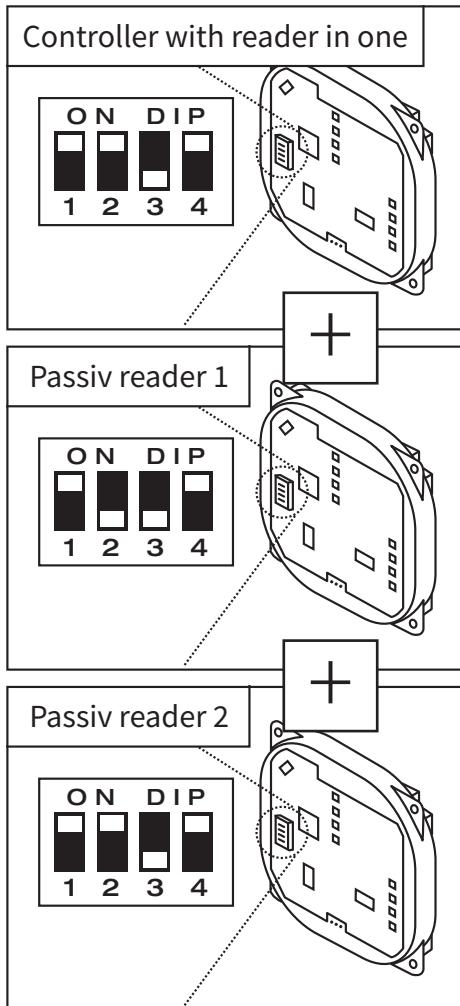
4.



4.1



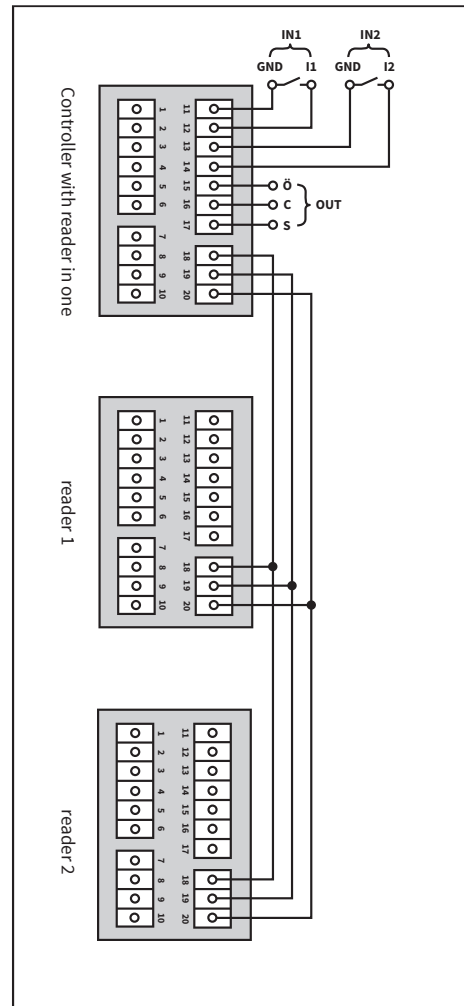
4.2



4.2.1

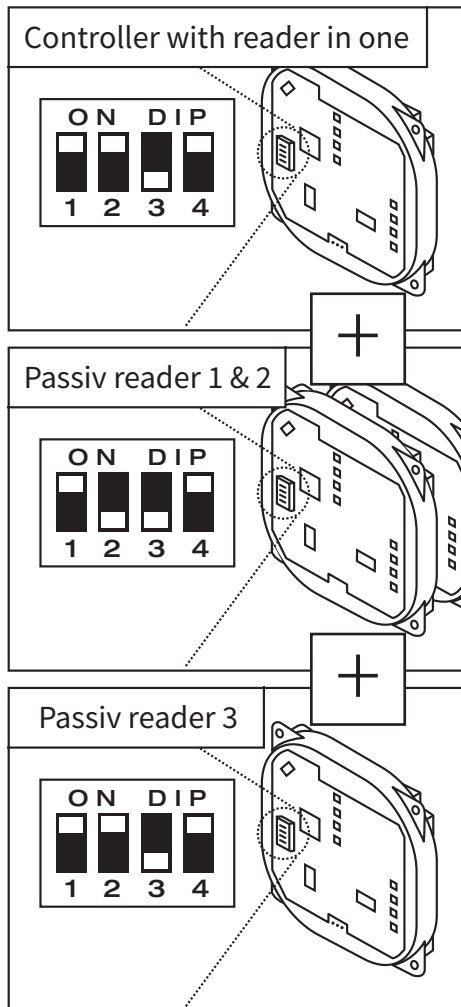
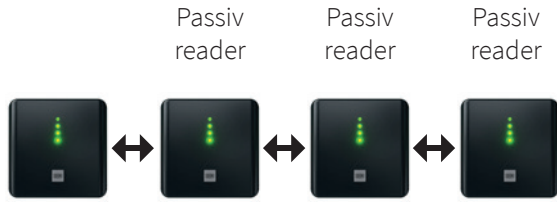
4.2.2

4.2.3



4.2.4

4.3

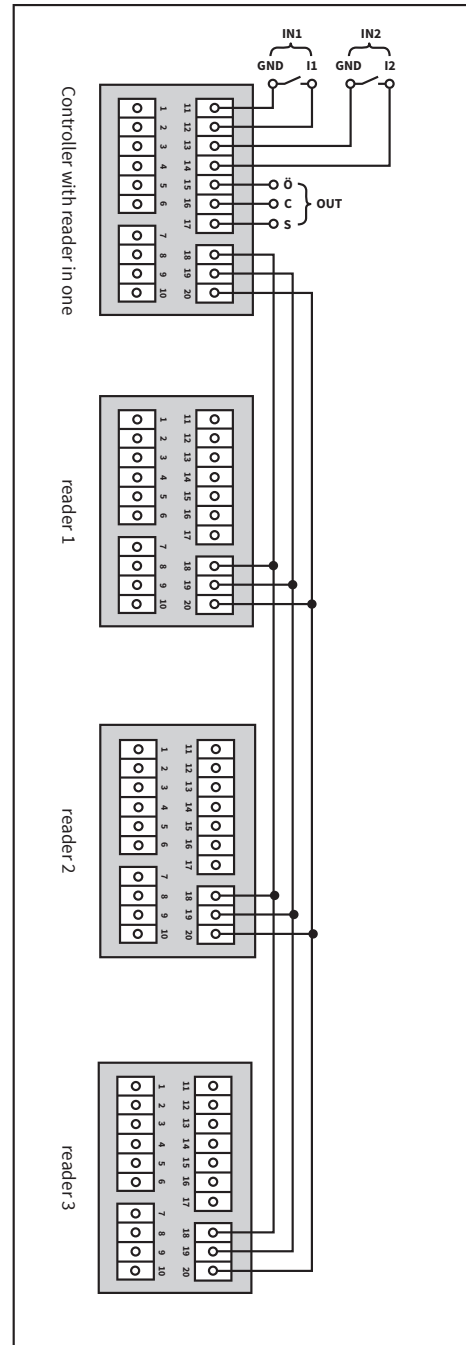


4.3.1

4.3.2

4.3.3

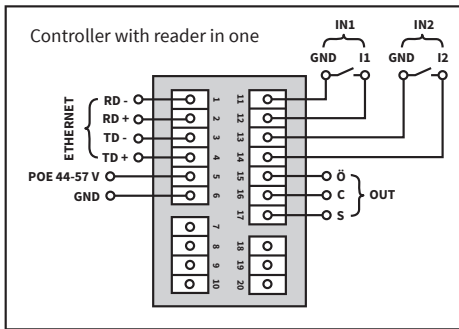
4.3.4



5.



6.



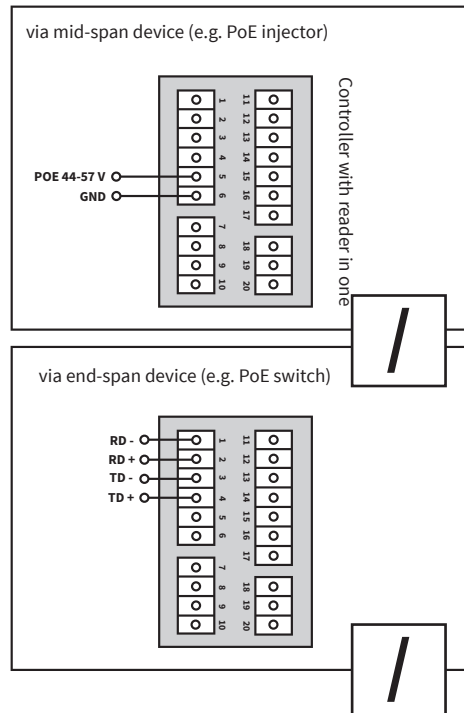
5.1

6.1



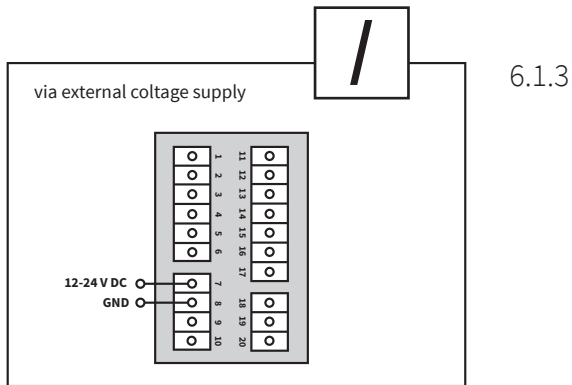
5.2

Terminal	Signal	Ethernet standard EIA/TIA-T568A	Ethernet standard EIA/TIA-T568B
1	RD-: Ethernet	Wire 6 (orange) ●	Wire 6 (green) ●
2	RD+: Ethernet	Wire 3 (white/orange) ○ ●	Wire 3 (white/green) ○ ●
3	TD-: Ethernet	Wire 2 (green) ●	Wire 2 (orange) ●
4	TD+: Ethernet	Wire 1 (white/green) ○ ●	Wire 1 (white/orange) ○ ●
5	SPA: Ethernet PoE	Wire 7 (white/brown) ○ ● Wire 8 (brown) ●	Wire 7 (white/brown) ○ ● Wire 8 (brown) ●
6	SPB: Ethernet PoE	Wire 4 (blue) ● Wire 5 (white/blue) ○ ●	Wire 4 (blue) ● Wire 6 (white/blue) ○ ●



6.1.1

6.1.2



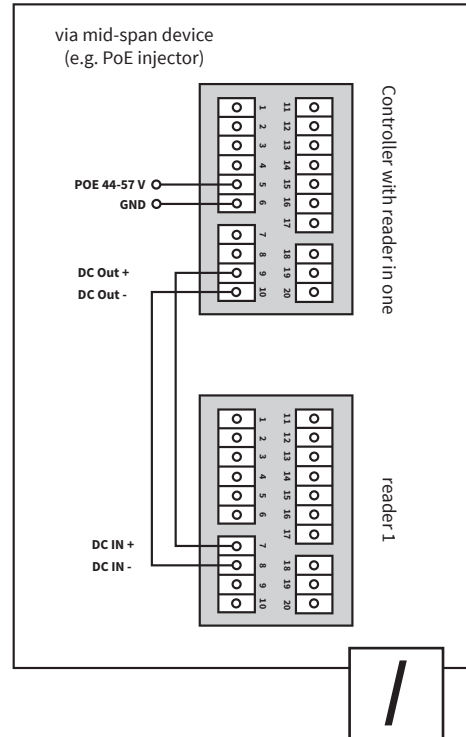
6.1.4

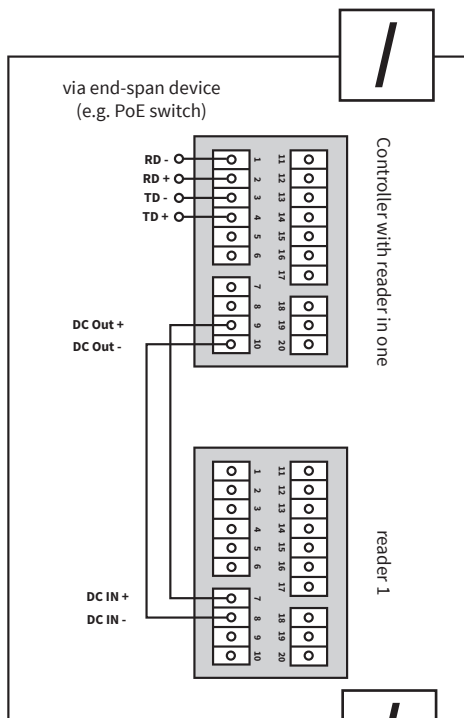
Terminal	Signal	Ethernet standard EIA/TIA-T568A	Ethernet standard EIA/TIA-T568B
1	RD-: Ethernet	Wire 6 (orange) ●	Wire 6 (green) ●
2	RD+: Ethernet	Wire 3 (white/orange) ○ ●	Wire 3 (white/green) ○ ●
3	TD-: Ethernet	Wire 2 (green) ●	Wire 2 (orange) ●
4	TD+: Ethernet	Wire 1 (white/green) ○ ●	Wire 1 (white/orange) ○ ●
5	SPA: Ethernet PoE	Wire 7 (white/brown) ○ ● Wire 8 (brown) ●	Wire 7 (white/brown) ○ ● Wire 8 (brown) ●
6	SPB: Ethernet PoE	Wire 4 (blue) ● Wire 5 (white/blue) ○ ●	Wire 4 (blue) ● Wire 6 (white/blue) ○ ●
7	U _{ext} = 12 V-24 V DC		
8	GND		

6.2

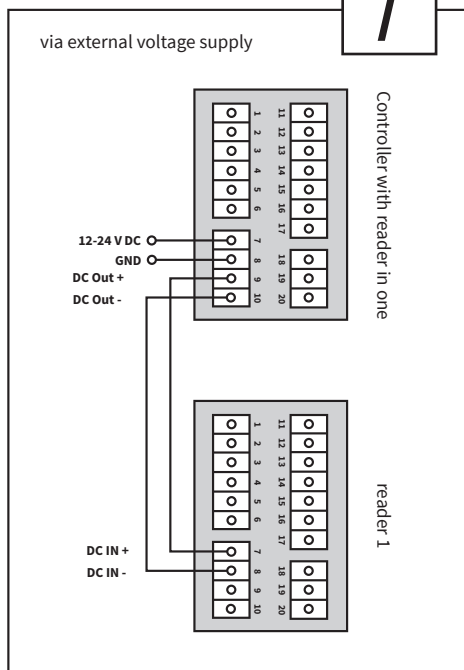


6.2.1





6.2.2



6.2.3

6.2.4

Terminal	Signal	Ethernet standard EIA/TIA-T568A	Ethernet standard EIA/TIA-T568B
1	RD-: Ethernet	Wire 6 (orange) ●	Wire 6 (green) ●
2	RD+: Ethernet	Wire 3 (white/orange) ○ ●	Wire 3 (white/green) ○ ●
3	TD-: Ethernet	Wire 2 (green) ●	Wire 2 (orange) ●
4	TD+: Ethernet	Wire 1 (white/green) ○ ●	Wire 1 (white/orange) ○ ●
5	SPA: Ethernet PoE	Wire 7 (white/brown) ○ ● Wire 8 (brown) ●	Wire 7 (white/brown) ○ ● Wire 8 (brown) ●
6	SPB: Ethernet PoE	Wire 4 (blue) ● Wire 5 (white/blue) ○ ●	Wire 4 (blue) ● Wire 6 (white/blue) ○ ●
7	U _{ext} = 12 V-24 V DC		
8	GND		

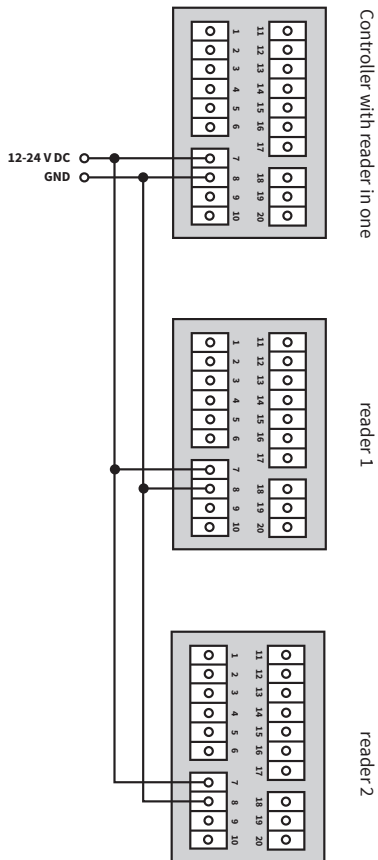
6.3



6.4

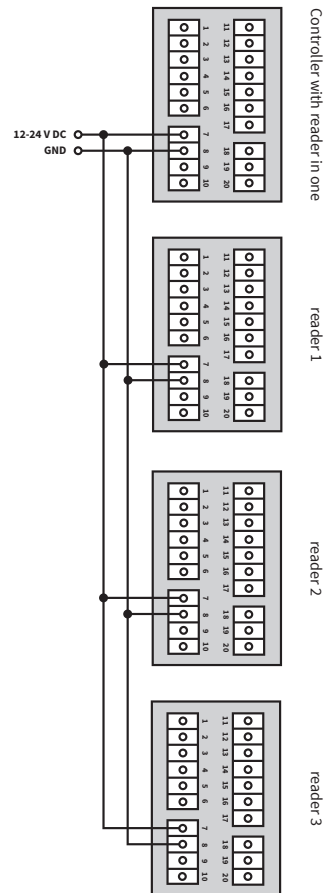


via external voltage supply



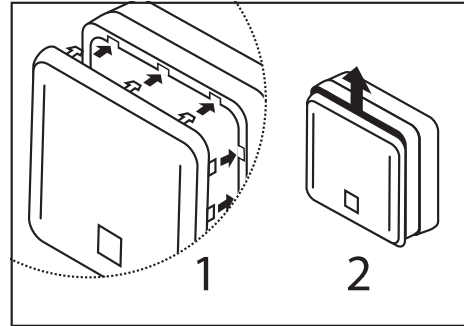
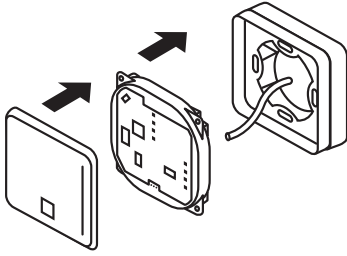
6.3.1

via external voltage supply

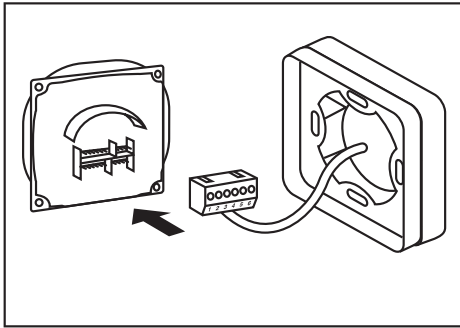


6.4.1

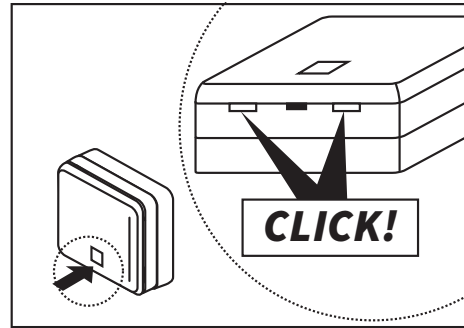
7.1



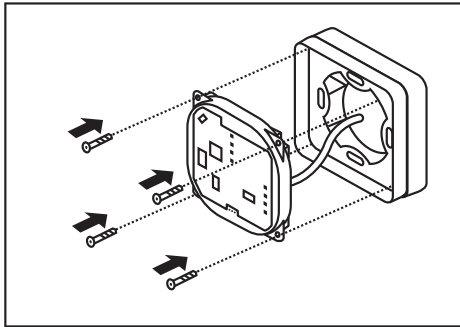
7.1.4



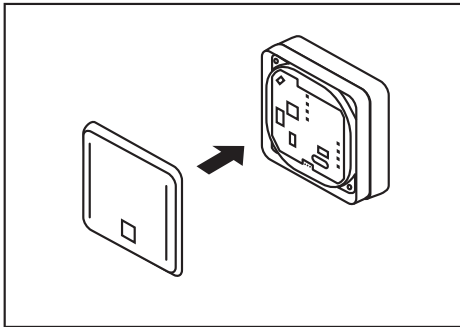
7.1.1



7.1.5

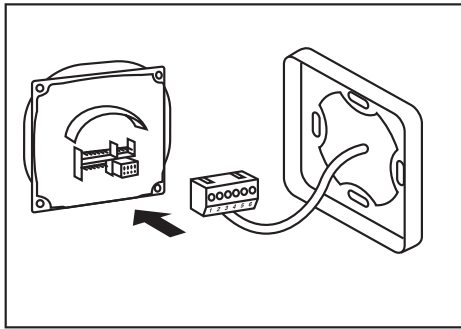
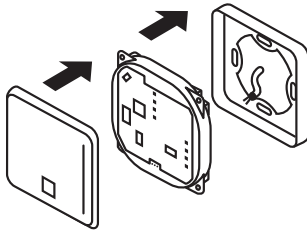


7.1.2

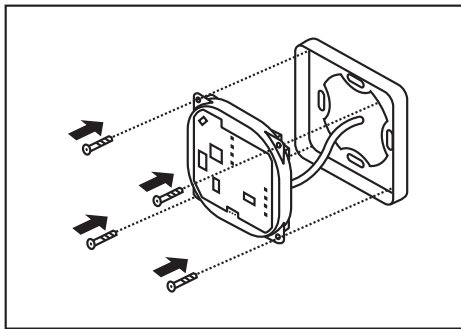


7.1.3

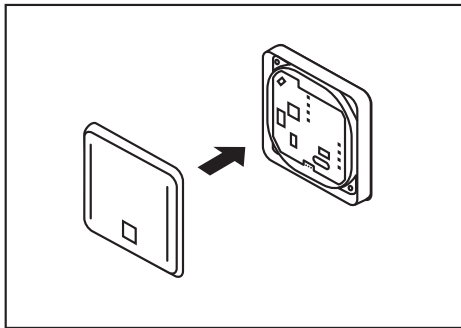
7.2



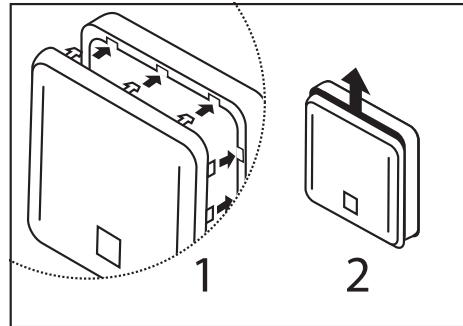
7.2.1



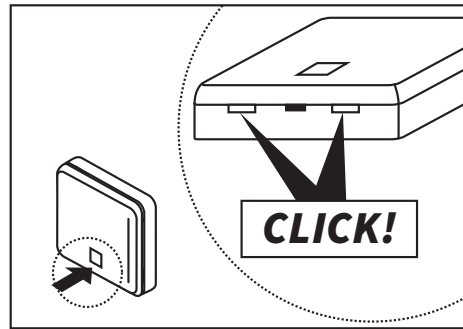
7.2.2



7.2.3

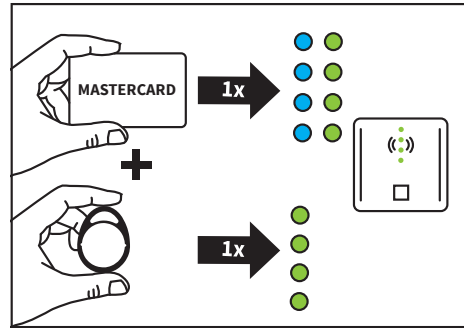
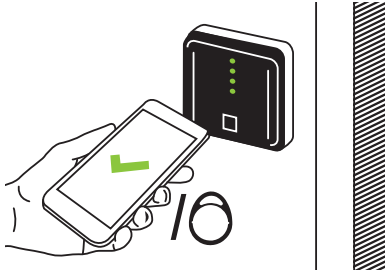


7.2.4



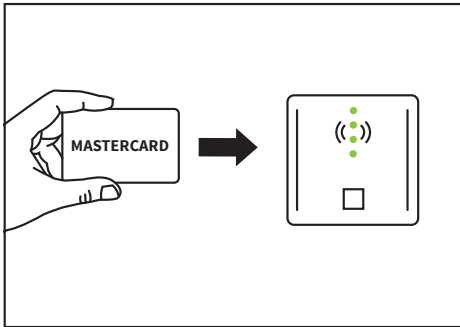
7.2.5

8.

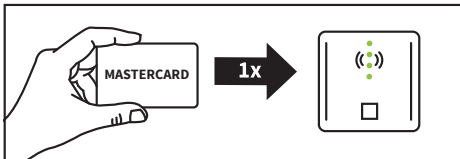


8.1.3

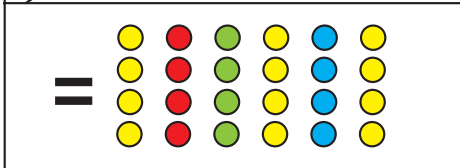
8.1



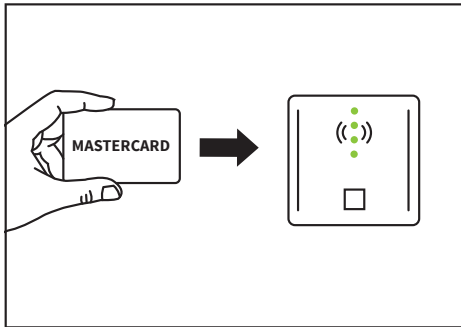
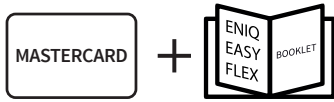
8.1.1



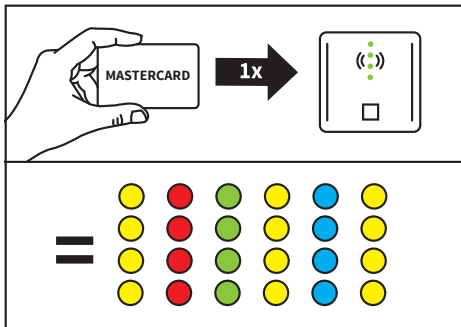
8.1.2



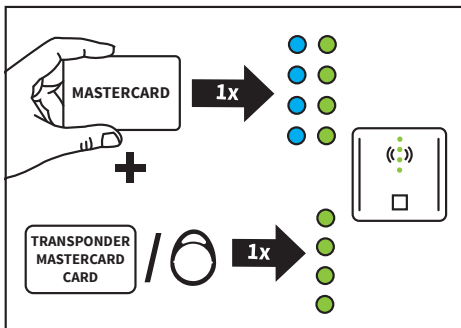
8.2



8.2.1

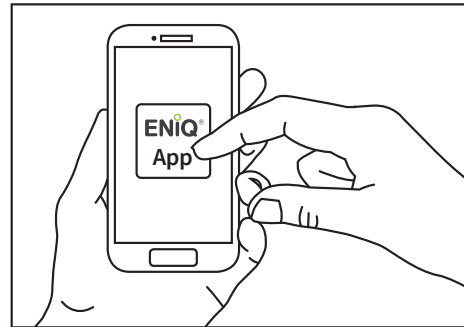


8.2.2

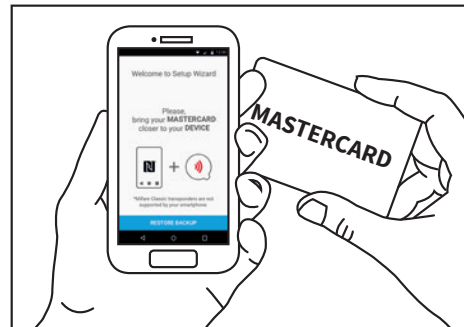


8.2.3

8.3



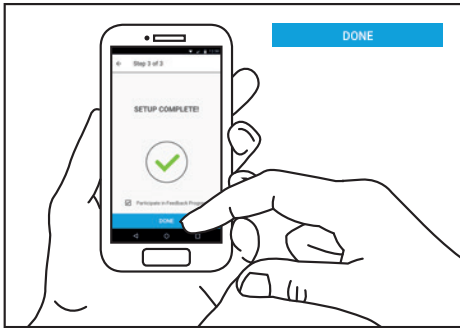
8.3.1



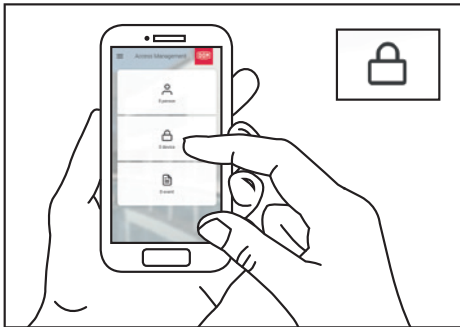
8.3.2



8.3.3



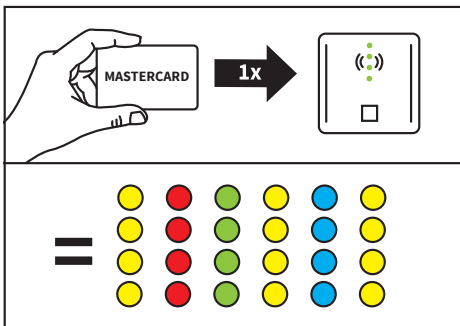
8.3.4



8.3.5



8.3.6

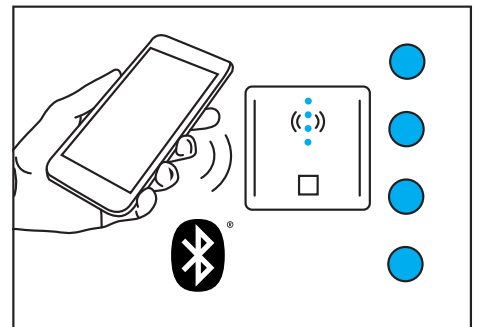
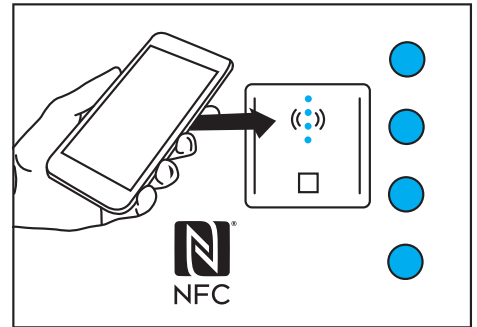


8.3.7



8.3.8

8.3.9



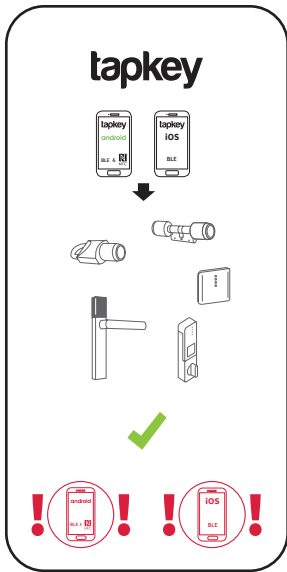
8.4



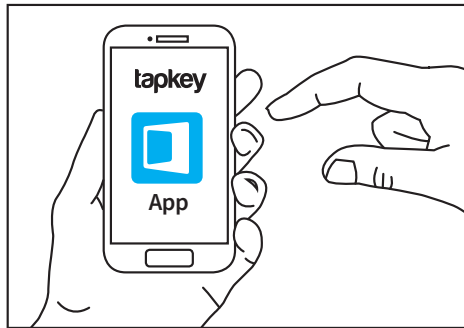
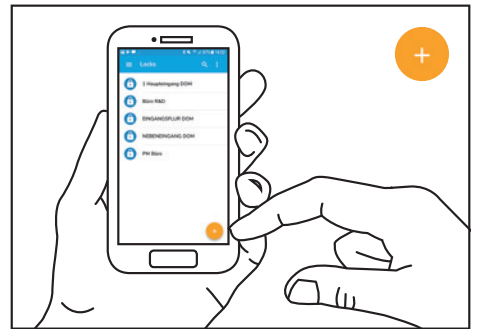
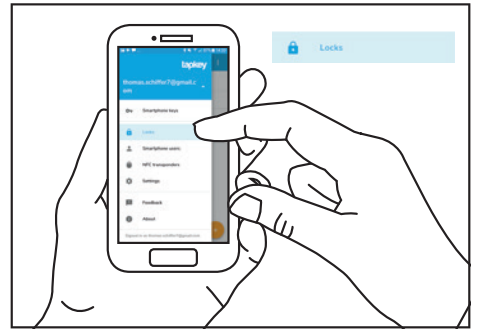
8.4.3



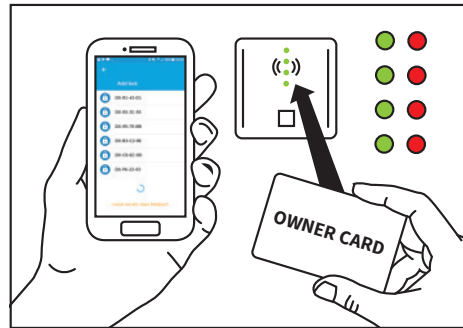
8.4.1



8.4.4

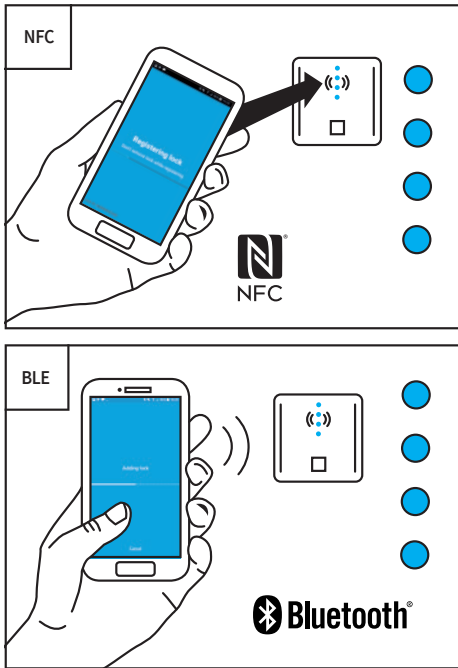


8.4.2



8.4.5

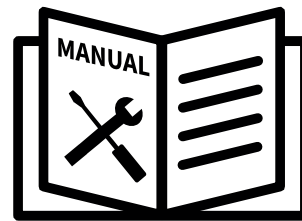
8.4.6



8.5



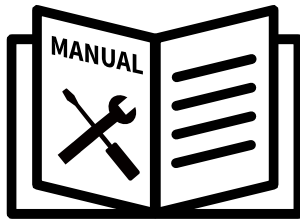
8.5.1



8.6



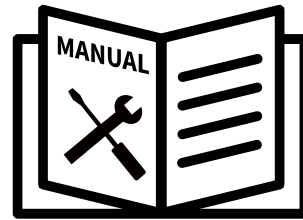
8.6.1



8.7



8.7.1





**DOM SICHERHEITSTECHNIK
GMBH & CO.KG**
DE - 50321 Brühl
www.dom-security.com

DOM SCHWEIZ AG
CH - 8852 Altendorf
www.dom-group.ch

HOBERG NV
B - 1300 Wavre
www.hoberg.be

DOM RONIS S.A.S
F - 18600 SANCOINS
www.ronis.fr

EURO-ELZETT KFT.
HU - 9400 Sopron
www.euro-elzett-hu

DOM-POLSKA SP. Z O.O.
PL 42-202 Częstochowa
www.dom-polska.pl

DOM - CR S.P.A.
IT - 10154 TORINO
www.dom-cr.it

UCEM
ES - 01013 Vitoria-Gasteiz
www.ucem.es

**DOM SICHERHEITSTECHNIK
GMBH**
A - 1140 Wien
www.dom.at

DOM NEDERLAND
NL - 2491 DH Den Haag
www.dom-group.nl

DOM-METALUX S.A.S.
F - 52115 Saint-Dizier
www.dom-europe.com

DOM-UK LTD.
GB - Tipton, DY4 7TR
www.dom-security.co.uk

DOM CZECH SPOL. S R.O.
CZ - 180 00 Praha
www.dom-czech.cz

DOM-TITAN
SI - 1241 Kamnik
www.titan.si

MCM S.A.
ES - 01013 Vitoria-Gasteiz
www.mcm.es

ANTIPANIC S.P.A
IT - 40013 Castelmaggiore
www.antipanic.it

DOM SECURITY S.A.
F-75017 Paris
www.dom-security.com