

DOM Tapkey LoQ

With DOM Tapkey LoQ, open and close your furniture with your smartphone! DOM Tapkey is easy to use: associated with the Tapkey application, this electronic lock allows you to create virtual keys within your home or establishment.



GENERAL INFORMATION

Applications of Use	Education, Electrical Equipment, Hygiene, Industrial, Letter Boxes, Maintenance, Metal Furniture, Offices, Retail, Shop Installer, Wood Furniture, Hospitals, Coworking Spaces, Leisure & Fitness, Shared Offices, Wet & Dry environments
Assembly Information	Flexible
Standard Warranty	1 Year
Original Manufacturer	DOM Ronis
Operating Temperature (Celsius)	-25° to 65°
Storage Temperature (Celsius)	21° to 65°
Maximum Relative Humidity (%)	90

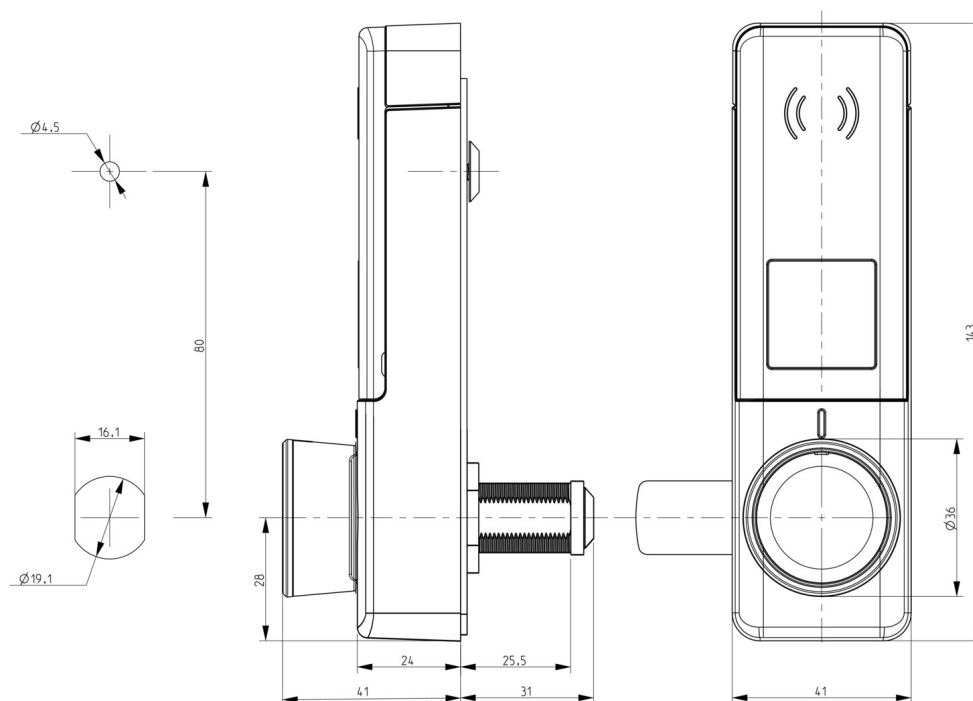
TECHNICAL FEATURES

Dimensions	142 x 41 x 39 mm (with knob)
Door Leaf Thickness (mm)	1 to 20
Surface Material	PA6
Surface Finish	Anthracite Grey
Outer Knob Material	PA6
Knob Rotation	Right hand / Left hand (adjustable) Cam variant : 90° Retrofit variant : 90° Anti-tilt variant 180°
Internal Clock	Yes
Mean Time To Failure (cycles)	200000
Cam Family	131100
Lock Fixing	Nuts
Cam Fixing	Screw

DOM Tapkey LoQ

COMMUNICATION AND PROGRAMMING

Communication Technology	BLE 5.0, Mifare RFID 13.56 MHz, NFC
Programming Methods	Smartphone, App
Supported Locking Media	ISO 14443 A, Tapkey Mifare DESFire
Data Encryption	AES-128 Bit
Events Storage Capacity in the Device	2000
Media Storage Capacity in the Device	5000
Maximum Transponder Reading Range RFID (mm)	30
Transponder Field Strength	42 dB μ A / m conform with ETSI EN 300 330
Offline Programming Range (m)	3
Online Programming Range (m)	10
Acoustic Signalling	Yes
Optical Signalling	Yes
Signalling Description	4 LEDs RGB
Data On Card	Yes



POWER

Power Type	Battery
Battery Type	AAA Lithium

DOM Tapkey LoQ

POWER (CONTINUED)

Number of Batteries	2
Battery Lifetime Cycles	Up to 15000 cycles
Number of Battery Warning Levels	3
Remaining Battery Cycles after 1st Warning	500
Emergency Power Supply	No
Preservation of Data after Power Loss	10 years

CERTIFICATIONS

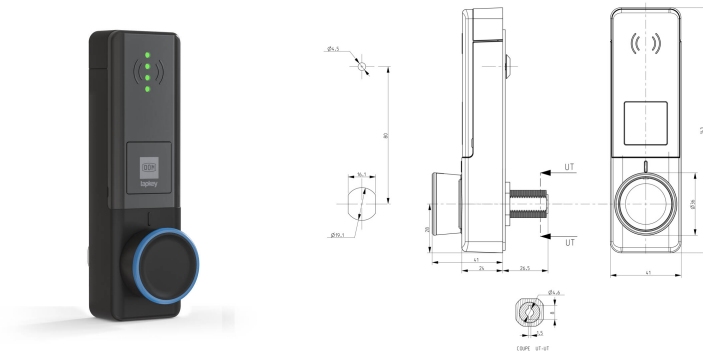
Patent Protection	Yes
Patented Until (year)	2028
Ingress Protection Rating	IP53
Transponder Field Strength	42 dB μ A / m conform with ETSI EN 300 330
UV Rays Test	2000h

OPTIONS

Outer Knob Finish	Black, Red, Green, White, Yellow, Blue, Pink
Branding Possible	Yes
Data On Card	Yes

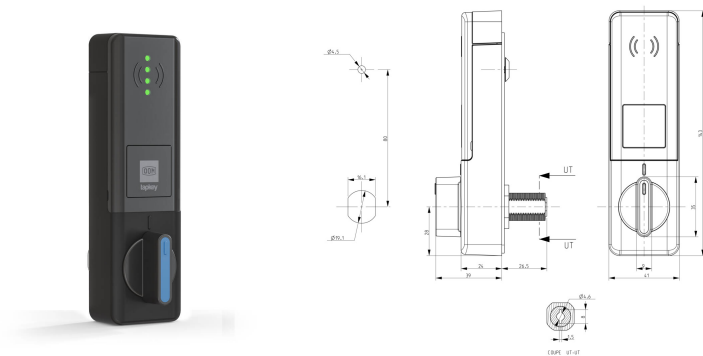
DOM Tapkey LoQ

VARIANTS



Anti-tilt Round Knob

-Tapkey LoQ is perfectly compatible within our anti-tilt system named Ultratrack, allowing you to open only one drawer at a time. On top of having a secured tool wagon, medical cart, you can know managed all access control with an in-depth tracking.

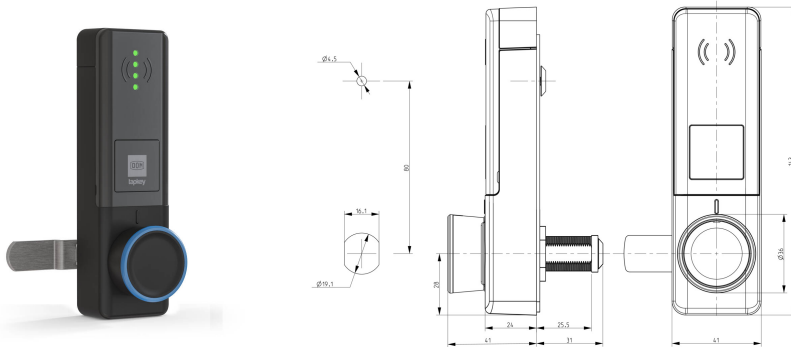


Anti-tilt Slim Knob

-Tapkey LoQ is perfectly compatible within our anti-tilt system named Ultratrack, allowing you to open only one drawer at a time. On top of having a secured tool wagon, medical cart, you can know managed all access control with an in-depth tracking.

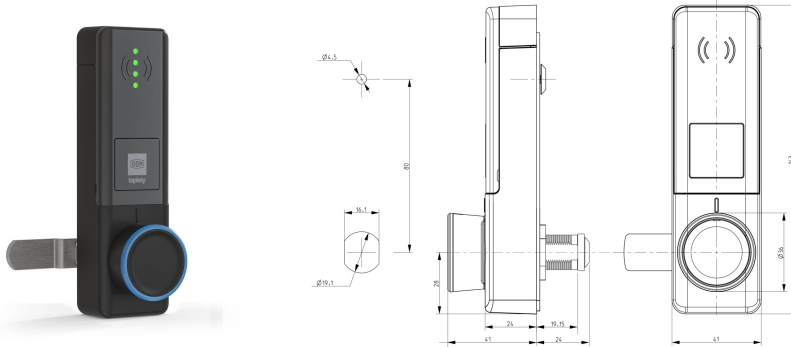
DOM Tapkey LoQ

VARIANTS (CONTINUED)



Cam Round Knob

-Tapkey LoQ is compatible with a complete range of cams, allowing the perfect closing to your furniture.

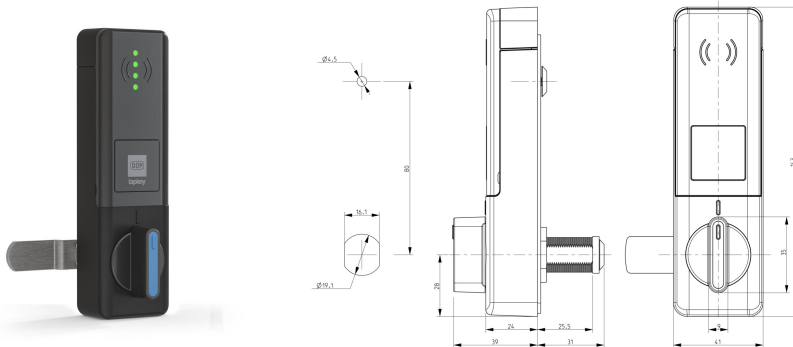


Cam Round Knob - Short Body

-This variant is the same as the LoQ cam version but it has a shorter depth (19.15mm instead of 25.5mm). This difference brings 2 new features:- Retrofitting for mechanical locks with a 19x16mm punch hole- Less space required inside the furniture

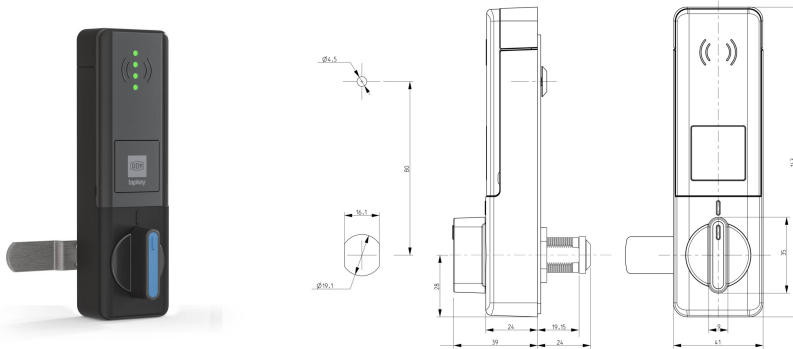
DOM Tapkey LoQ

VARIANTS (CONTINUED)



Cam Slim Knob

-Tapkey LoQ is compatible with a complete range of cams, allowing the perfect closing to your furniture.



Cam Slim Knob - Short Body

-This variant is the same as the LoQ cam version but it has a shorter depth (19.15mm instead of 25.5mm). This difference brings 2 new features:- Retrofitting for mechanical locks with a 19x16mm punch hole- Less space required inside the furniture

