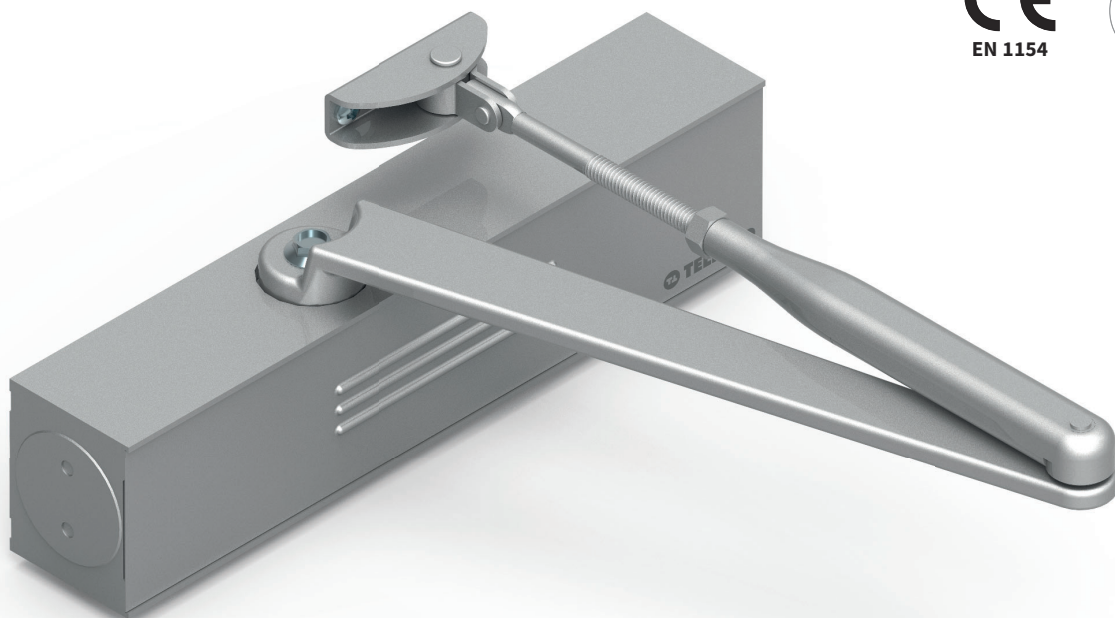


Unik 4500



Technical Specifications

- > Hydraulic door closer with **rack and pinion** mechanism.
- > **High quality components.** Body manufactured with aluminium, arm and internal components manufactured with high quality steel.
- > **Flexi System.** Size EN2 - EN3 - EN4 - EN5 - EN6 adjustable continuously by screw.
- > **CE Certified** according to European Standard EN 1154.

■ Certificate n° 2812 - CPR - AD5170

■ CE Classification

- Door Mount Pull Side and Transom Mount Push Side

4	8	6/2	1	1	3
---	---	-----	---	---	---

- Parallel Arm application

4	8	5/3	1	1	3
---	---	-----	---	---	---

On security systems against fire, it is not allowed to install a door closer size EN2.

- > **Fire Resistant** according to European Standard EN 1634-1.
- > **Closing Speed Control.** Adjustable closing speed by valve in the range from 180° to 15°.

- > **Latch Action Control.** Adjustable latch action by valve in the range from 15° to 0°.
- > **Back-check function.** Adjustable back-check by valve from 60° opening angle.
- > **Delayed Action function.** Adjustable delayed action by valve from 130° to 65°.
- > **Thermostatic door closers.** Closing time keeps stable submitted to temperatures between -15°C y +40°C.
- > **Security against forced closings** thanks to overpressure valve incorporated inside the door closer.
- > **Adjustable Hold Open.** Adjustable hold open system to any selected opening angle (optional).
- > **High performance.** Excellent closing efficiency by means of needle bearings incorporation.
- > **Easy to install.** Adapts to all type of applications and offers great ease of installation.
- > **Range of colors.** Available in five different colors: White (BL), Brown (BR), Black (NE), Gold (OR) and Silver (PL).



EN 2 → EN 6

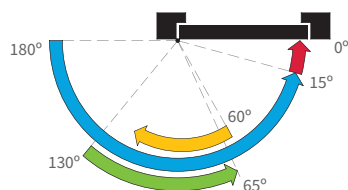
≤ 1400 mm
≤ 120 Kg

≈ 3,15 kg

Individual Box

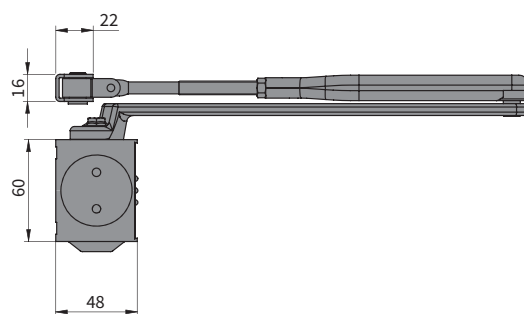
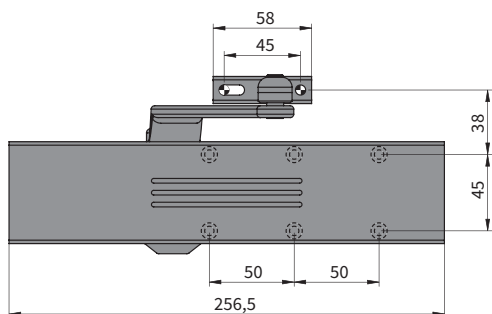
x 6

Hydraulic Controls



- █ Latch Action
- █ Closing Speed
- █ Back-check
- █ Delayed Action

Dimensions



Technical Overview

Model	Functional Performances						Installation Position		
	Adjustable Closing Force	Adjustable Closing Speed	Adjustable Latch Action	Adjustable Back-check	Delayed Action	Adjustable Hold Open	Door Mount Pull Side	Transom Mount Push Side	Parallel Arm
AS 4559 S	✓	✓	✓	✓	✓		✓	✓	✓
AS 4559 T	✓	✓	✓	✓	✓	✓	✓	✓	

On fire doors, it is not allowed to install door closers with Hold Open device incorporated.

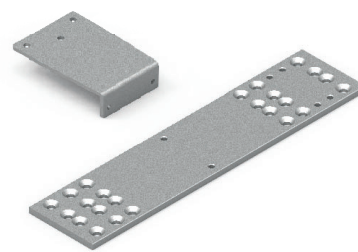
Accessories



Link Arm



Hold Open Link Arm



Mounting Plates

DOM - MCM S.A.U.

Artapadura, 12

01013 Vitoria-Gasteiz (Álava)

Tel: +34 945 262 055 / +34 943 77 05 02



we domore for security