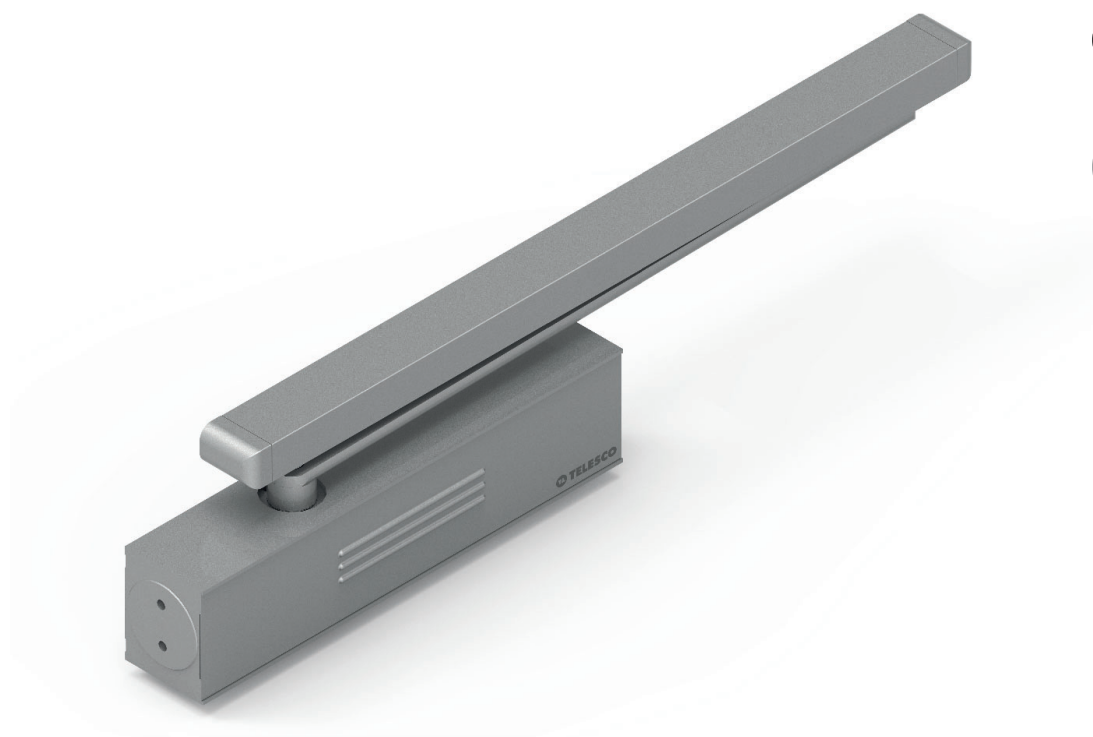


# Pro 6500



EN 1154



## Technical Specifications

- > Hydraulic door closer with **cam action** mechanism.
- > **Guide Rail with minimum projecton** and high aesthetic value.
- > **High quality components.** Body manufactured with aluminium, arm and internal components manufactured with high quality steel.
- > **Flexi System.** Size EN 2 - EN 3 - EN 4 - EN 5 adjustable continuously by screw.
- > **CE Certified** according to European Standard EN 1154.

■ Certificate n° 2812 - CPR - AD5173

■ CE Classification

- Door Mount and Transom Mount Pull Side

4	8	5/2	1	1	3
---	---	-----	---	---	---

- Door Mount and Transom Mount Push Side

3	8	5/2	1	1	3
---	---	-----	---	---	---

*On security systems against fire, it is not allowed to install a door closer size EN2.*

- > **Fire Resistant** according to European Standard EN 1634-1.
- > **Closing Speed Control.** Adjustable closing speed by valve in the range from 180° to 15°.

- > **Latch Action Control.** Adjustable latch action by valve in the range from 15° to 0°.
- > **Back-check function.** Adjustable Back-check by valve from 70° opening angle.
- > **Delayed Action.** Adjustable Delayed Action by valve in the range from 120° to 70°.
- > **Thermostatic door closers.** Closing time keeps stable submitted to temperatures between -15°C y +40°C.
- > **Security against forced closings** thanks to overpressure valve incorporated inside the door closer.
- > **Adjustable Hold Open.** Adjustable hold open system to any selected opening angle (optional).
- > **High performance.** Excellent closing efficiency by means of needle bearings incorporation.
- > **Easy to install.** Adapts to all type of applications and offers great ease of installation.
- > **Range of colors.** Available in five different colors: White (BL), Brown (BR), Black (NE), Gold (OR) and Silver (PL).



EN 2 → EN 5

≤ 1250 mm  
≤ 100 Kg



≈ 3,65 kg



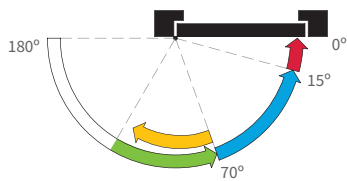
Individual Box



x 2

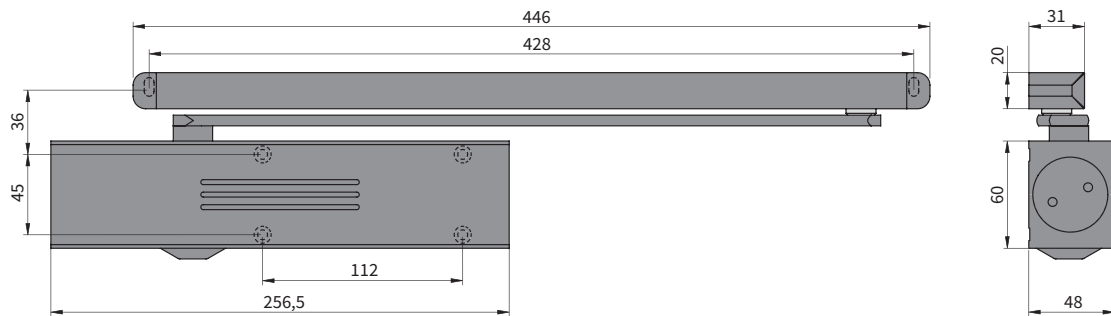


## Hydraulic Controls



- █ Latch Action
- █ Closing Speed
- █ Back-check
- █ Delayed Action

## Dimensions



## Technical Overview

Model	Functional Performances						Installation Position	
	Adjustable Closing Force	Adjustable Closing Speed	Adjustable Latch Action	Adjustable Back-check	Delayed Action	Adjustable Hold Open	Door Mount Pull Side	Transom Mount Push Side
AD 6559 S	✓	✓	✓	✓	✓		✓	✓
AD 6559 T	✓	✓	✓	✓	✓	✓	✓	✓

On fire doors, it is not allowed to install door closers with Hold Open device incorporated.

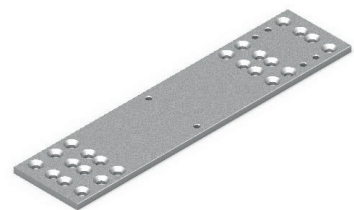
## Accessories



Guide Rail  
(With or Without Hold Open Function)



Hold Open Device



Mounting Plates

### DOM - MCM S.A.U.

Artapadura, 12  
01013 Vitoria-Gasteiz (Álava)  
Tel: +34 945 262 055 / +34 943 77 05 02



we domore for security

