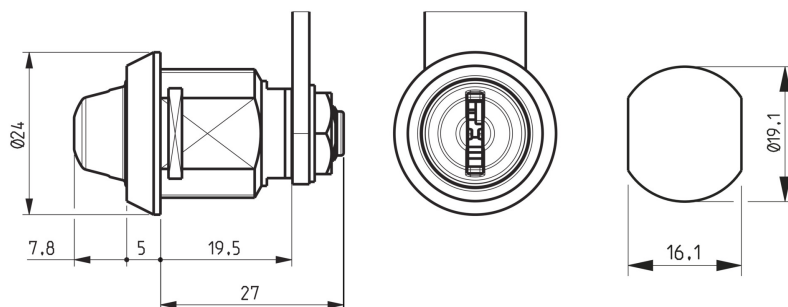


RONIS 25300AS



SECURITY TYPE

Wafer System

AVAILABLE LOCKS FIXINGS

| Lock Fixing ID | Lock Fixing |
|----------------|----------------|
| L1 | Horseshoe Clip |
| L2 | Nuts |

AVAILABLE KEY SERIES

| Key Series | Combinations | MK Possible |
|------------|--------------|-------------|
| 4R | 4000 | Yes |
| CC | 2000 | Yes |

AVAILABLE ROTATIONS

| Direction ID | Degrees | Direction | Key Extraction |
|--------------|---------|------------------------------|----------------|
| D01 | 180 | Left & Right | 2 |
| D02 | 90 | Right Opening - Left Closing | 1 |
| D03 | 90 | Left Opening - Right Closing | 1 |
| D04 | 90 | Right Opening - Left Closing | 2 |
| D05 | 90 | Left Opening - Right Closing | 2 |

TECHNICAL FEATURES

| | |
|---------------------|------------------------------|
| Standard Material | Zamak |
| Standard Finish | Bright Nickel, Bright Chrome |
| Number of Keys | 2 |
| Standard Cam Family | 131100 |
| Body Length | 19.50 |

RONIS 25300AS

APPLICATIONS OF USE

Metal Furniture, Electrical Equipment, Retail, Storage, Bicycle

ORDER INFORMATION

| Type | Direction ID | Lock Fixing | Panel Thickness | Cam Fixing | Cam Family | Key Series | Product Code | DOM Ronis Reference |
|---------|--------------|----------------|-----------------|------------|------------|------------|----------------------|---------------------|
| 25300AS | D01 | Horseshoe Clip | 0.8 - 1.2 | Nuts | 131100 | 4R | 25300AS-D01-L1-C2-4R | 25300AS-01 |
| 25300AS | D01 | Horseshoe Clip | 0.8 - 1.2 | Nuts | 131100 | CC | 25300AS-D01-L1-C2-CC | 25300AS-01 |
| 25300AS | D01 | Nuts | 10.0 | Nuts | 131100 | 4R | 25300AS-D01-L2-C2-4R | 25300AS-01 |
| 25300AS | D01 | Nuts | 10.0 | Nuts | 131100 | CC | 25300AS-D01-L2-C2-CC | 25300AS-01 |
| 25300AS | D02 | Horseshoe Clip | 0.8 - 1.2 | Nuts | 131100 | 4R | 25300AS-D02-L1-C2-4R | 25300-38 |
| 25300AS | D02 | Horseshoe Clip | 0.8 - 1.2 | Nuts | 131100 | CC | 25300AS-D02-L1-C2-CC | 25300-38 |
| 25300AS | D02 | Nuts | 10.0 | Nuts | 131100 | 4R | 25300AS-D02-L2-C2-4R | 25300-38 |
| 25300AS | D02 | Nuts | 10.0 | Nuts | 131100 | CC | 25300AS-D02-L2-C2-CC | 25300-38 |
| 25300AS | D03 | Horseshoe Clip | 0.8 - 1.2 | Nuts | 131100 | 4R | 25300AS-D03-L1-C2-4R | 25300AS-03 |
| 25300AS | D03 | Horseshoe Clip | 0.8 - 1.2 | Nuts | 131100 | CC | 25300AS-D03-L1-C2-CC | 25300AS-03 |
| 25300AS | D03 | Nuts | 10.0 | Nuts | 131100 | 4R | 25300AS-D03-L2-C2-4R | 25300-25 |
| 25300AS | D03 | Nuts | 10.0 | Nuts | 131100 | CC | 25300AS-D03-L2-C2-CC | 25300AS-03 |
| 25300AS | D04 | Horseshoe Clip | 0.8 - 1.2 | Nuts | 131100 | 4R | 25300AS-D04-L1-C2-4R | 25300AS-04 |
| 25300AS | D04 | Horseshoe Clip | 0.8 - 1.2 | Nuts | 131100 | CC | 25300AS-D04-L1-C2-CC | 25300AS-04 |

RONIS 25300AS

| Type | Direction ID | Lock Fixing | Panel Thickness | Cam Fixing | Cam Family | Key Series | Product Code | DOM Ronis Reference |
|---------|--------------|----------------|-----------------|------------|------------|------------|----------------------|---------------------|
| 25300AS | D04 | Nuts | 10.0 | Nuts | 131100 | 4R | 25300AS-D04-L2-C2-4R | 25300AS-04 |
| 25300AS | D04 | Nuts | 10.0 | Nuts | 131100 | CC | 25300AS-D04-L2-C2-CC | 25300AS-04 |
| 25300AS | D05 | Horseshoe Clip | 0.8 - 1.2 | Nuts | 131100 | 4R | 25300AS-D05-L1-C2-4R | 25300AS-05 |
| 25300AS | D05 | Horseshoe Clip | 0.8 - 1.2 | Nuts | 131100 | CC | 25300AS-D05-L1-C2-CC | 25300AS-05 |
| 25300AS | D05 | Nuts | 10.0 | Nuts | 131100 | 4R | 25300AS-D05-L2-C2-4R | 25300AS-05 |
| 25300AS | D05 | Nuts | 10.0 | Nuts | 131100 | CC | 25300AS-D05-L2-C2-CC | 25300AS-05 |