

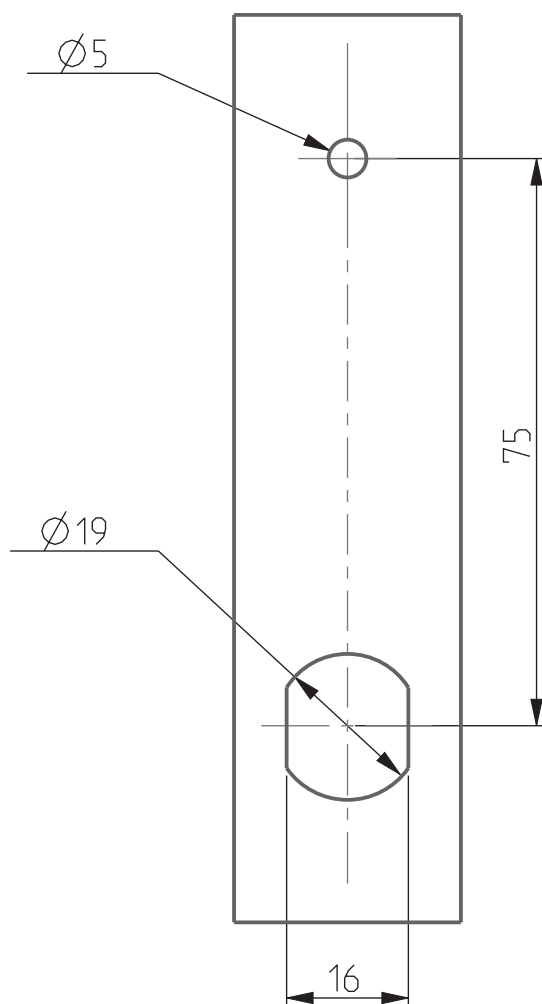



E10-mini
Assembly

Drilling templates

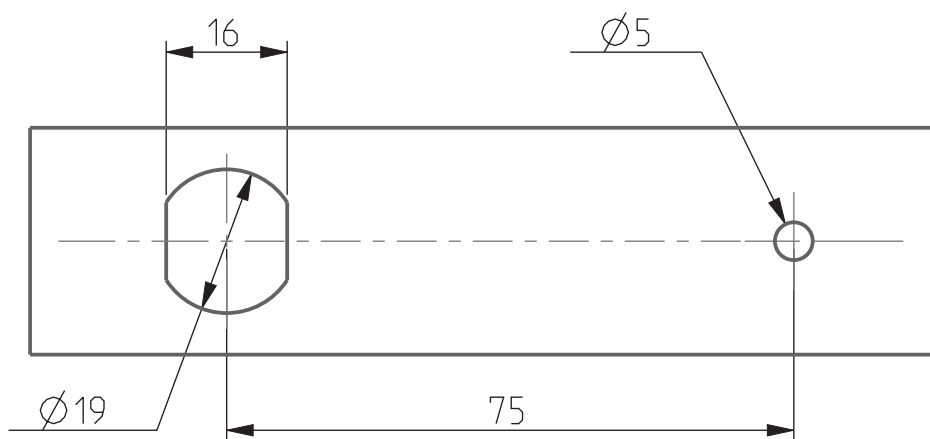
ASSEMBLY


E10-miniV



 Print to scale 1:1

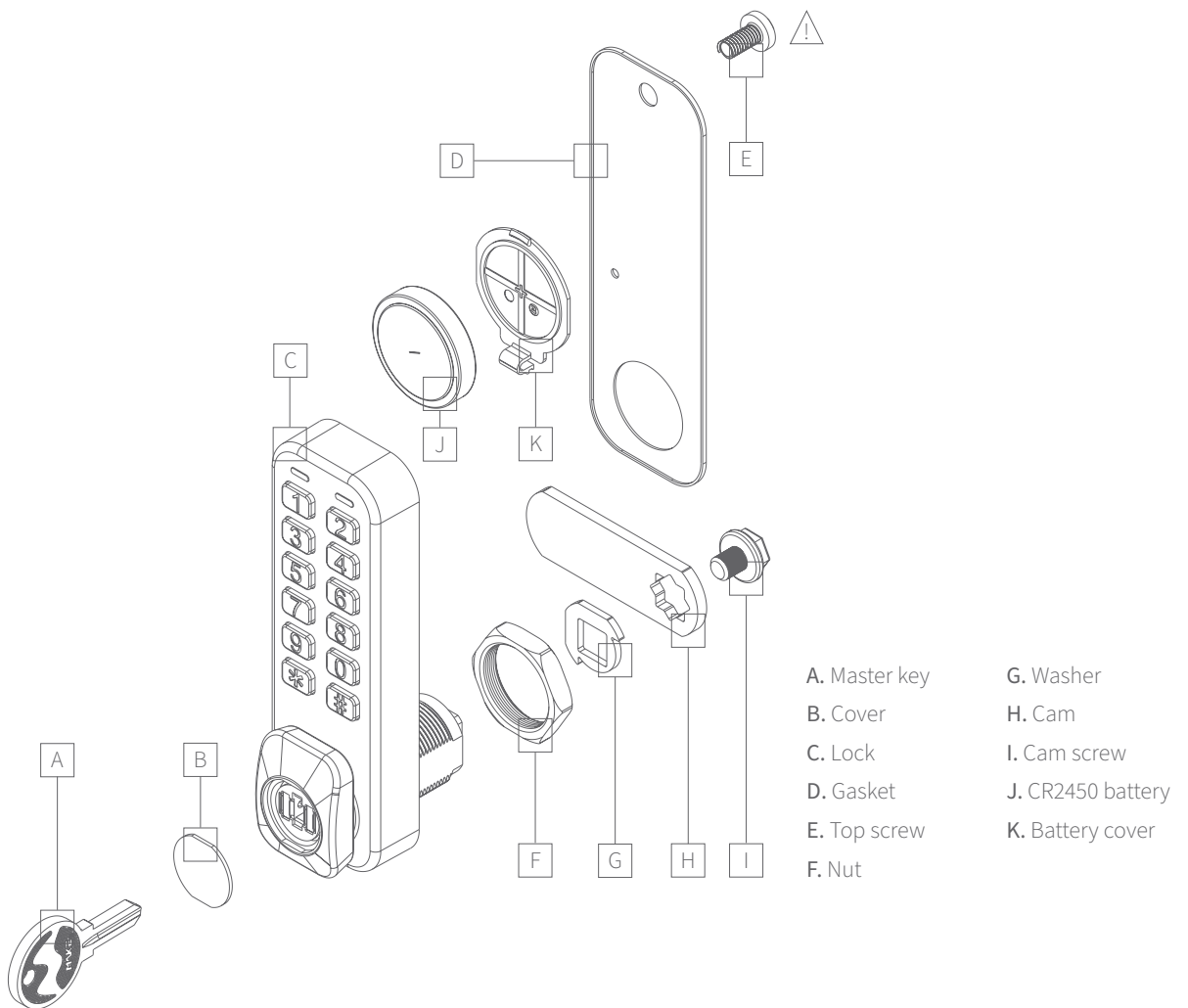
E10-miniHRH



 Print to scale 1:1

Accessories

ASSEMBLY



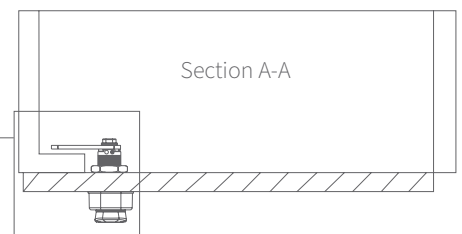
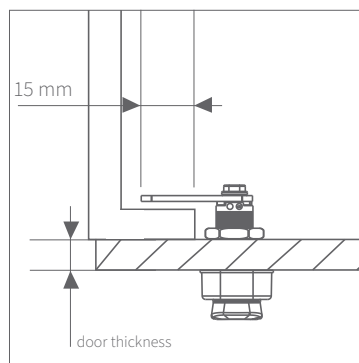
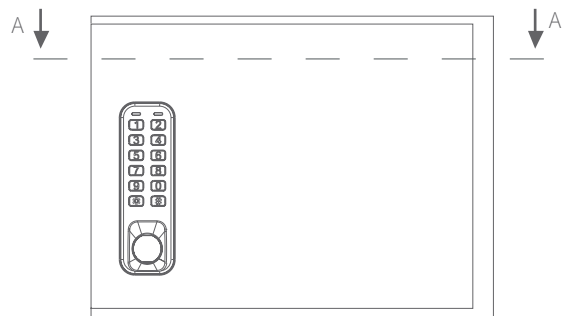
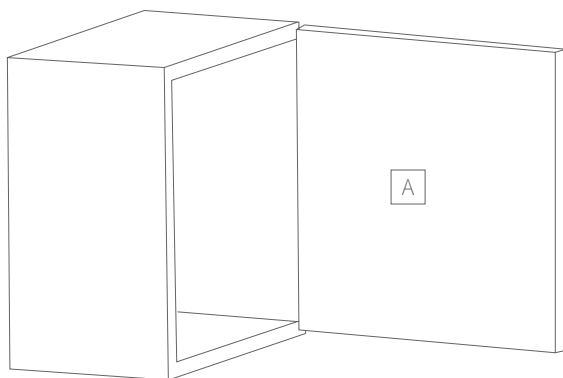
E10-mini body length (mm)
 30.5

Top screw type
 M4x18
 M4x22
 M4x26

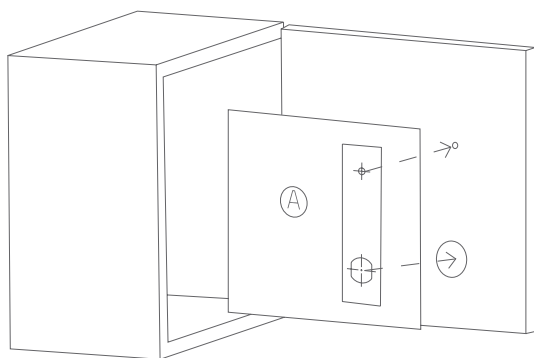
Door thickness (mm)
 10-14
 14-18
 18-22

Right door assembly

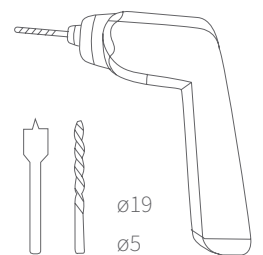
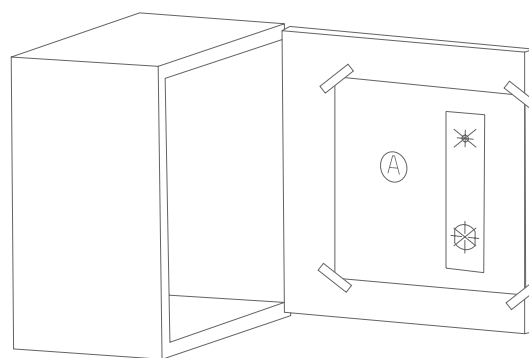
ASSEMBLY



1



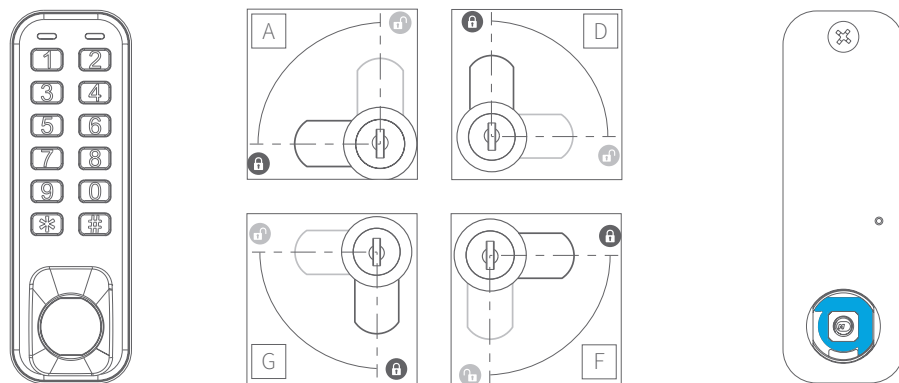
2



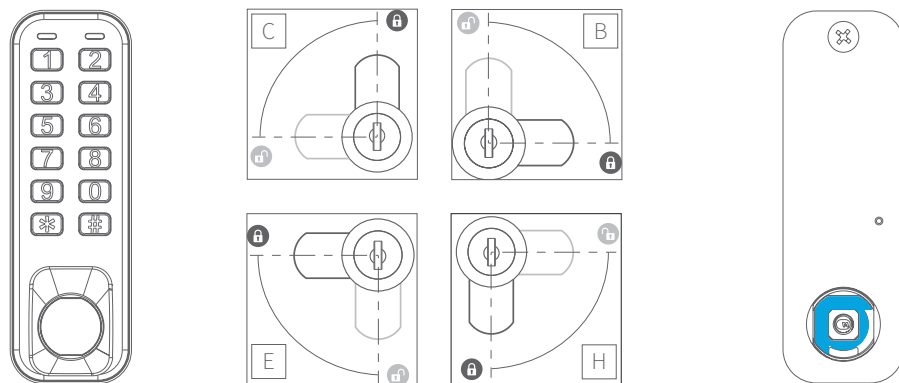
Washer indexation

ASSEMBLY

Right opening / Left Closing



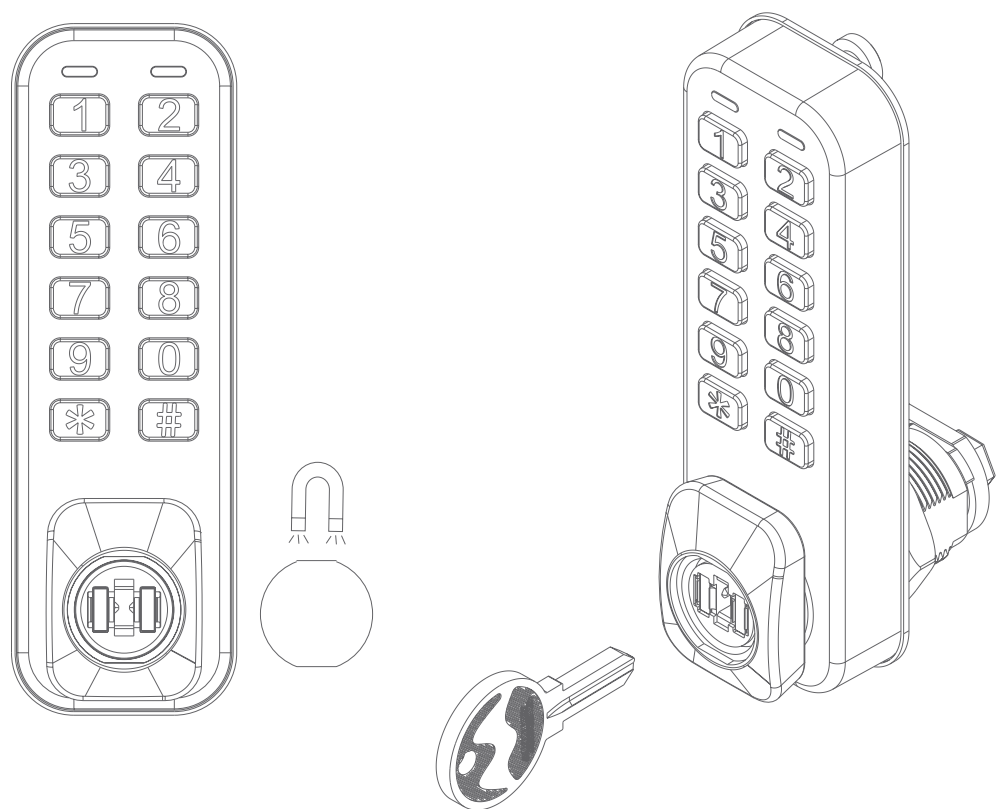
Left opening / Right Closing



Emergency opening

ASSEMBLY

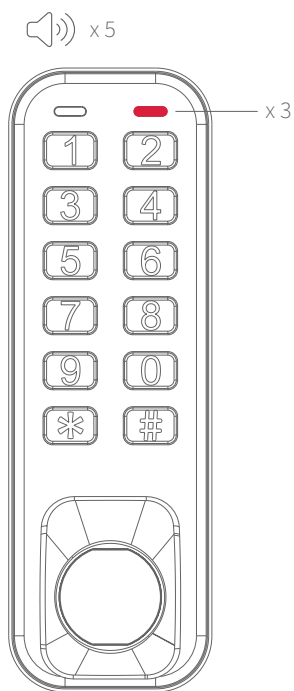
Master key



1. Remove the cover plate with a magnet.
2. Use the Master key (right image).
3. The existing user code will be retained by the lock when using the Master key override.

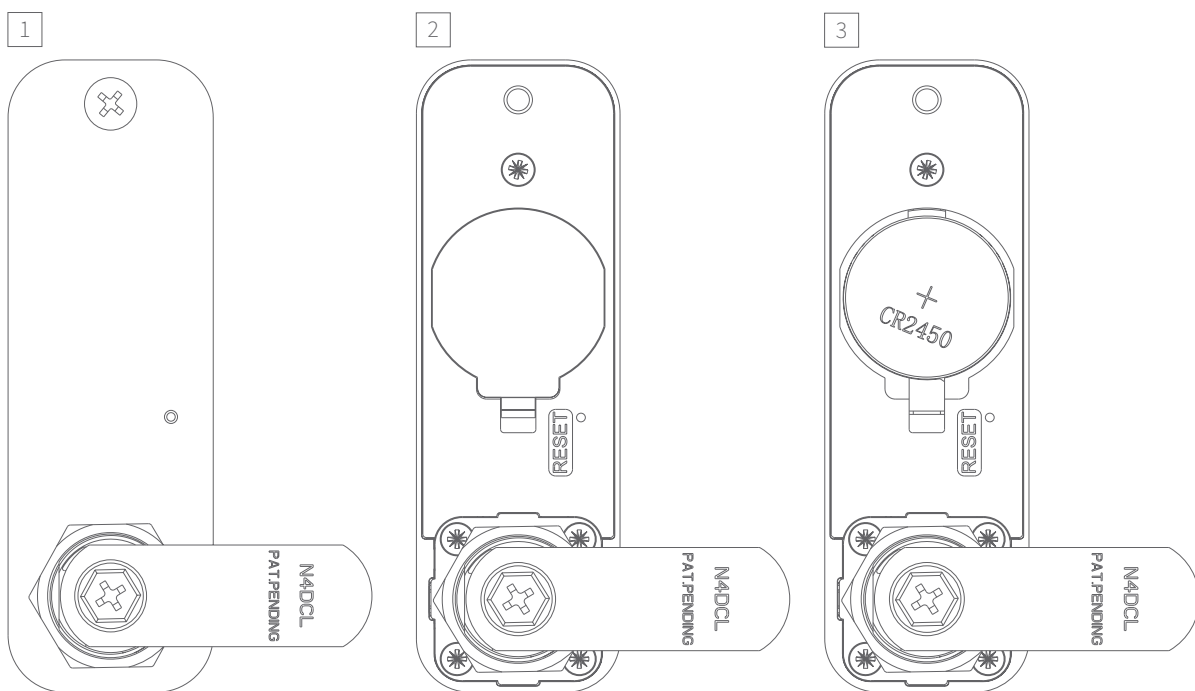
Low power alarm function

ASSEMBLY



Alarm will sound if the battery power is low (5 beeps, red light flashes 3 times before blue light flashes once) informing users to replace the batteries.

1. Remove the lock from the furniture.
2. Remove the gasket to access the battery case.
3. Remove the battery cover.





**WE BELIEVE EVERYONE AND
EVERYTHING OF VALUE
DESERVES TO BE KEPT SECURE,
WITHOUT COMPROMISE.**

That is why you can count on us to help you create the perfect security

for your home. Together with your trusted security experts we will do whatever it takes to make your home the safest place it can be.

Now and in the future.

www.dom-security.com.

DOM UK LTD

Unit 12
Cleton Street Business Park
Cleton Street, Tipton DY4 7TR
United Kingdom
T +44 (0)121 - 569 7790
E sales@dom-uk.co.uk

Your expert security advisor:

DOM RONIS

Rue de Neuilly
18600 Sancoins
France
T +33 (0) 2 48 74 96 50
E contact@dom-ronis.fr

WWW.DOM-SECURITY.COM