






Product Range

	Model	Type	Applications
	CHOPPERLINE®	Chopper fan	For waste cutting and conveying
	ROTARY AIRLOCK	Continuous extraction	For dust and chips. Introduction device into a pneumatic conveying
	SEPAROBOIS® M	Bag filter	Woodworking industries
	SEPAROBOIS® P	Air material separator and bag filter	Woodworking industries
	SEPAROJET® M	Air material separator and bag filter	Extraction of continuous or discontinuous waste and dust filtration. Paper mill - Board mill – Printing industries
	SEPAROJET® P	Air material separator and bag filter	Extraction of continuous or discontinuous waste and dust filtration. Automotive industry. Printing industry.
	SEPAROPACK® C	Air material separator and filter	Continue and discontinue waste handling. Shaping, setting under cover and checkbook manufacture industries
	SEPAROPACK® P	Air material separator	Paper mill, board mill, printing, Selective sorting center. Plastics industry
	SEPAROPACK® R	Rotary separator	Separation and wastes recovering. Plastic industry, agro-feeding, printing industries
	SEPAROPACK® V	Air material separator	Discontinuous waste extraction. Paper mill, board mill, printing,

CHOPPERLINE®

CHOPPER FAN



The **CHOPPERLINE®** is a chopper-fan with automatically- or manually adjustable cutter bar. The Chopperline® is the heart of any pneumatic waste handling system. It is specially designed to fulfil two separate functions:

- + its turbine cutters chopped waste into pieces whose size and shape make them suitable for pneumatic waste handling and efficient recycling.
- + it conveys the waste from the production point to a centralized recycling system.

ENERGY SAVINGS

- + Use of high efficiency motors + Version with variable speed drive
- + Direct coupling version (without pulley / belt transmission)

ADVANTAGES

+ STRENGTH:

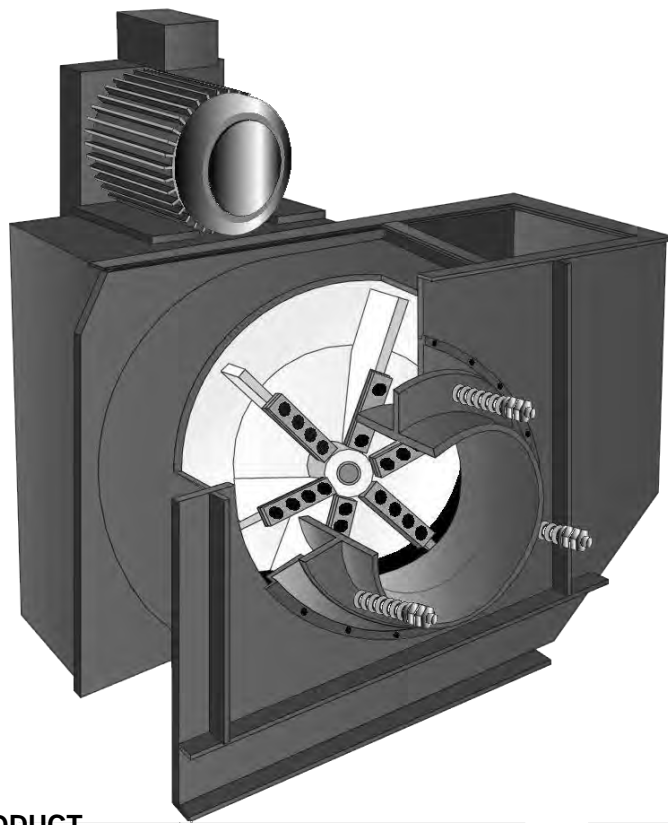
The Chopperline® is built of thick, fully-welded sheet metal and incorporates a dynamically-balanced wheel. The wheel is fitted with tempered steel knives designed for intensive use. The Chopperline® is built to have a long service life and require minimum maintenance.



+ ADAPTABILITY :

The Chopperline® is fitted with self-adjusting cutter bar whose position in relation to the knives can be adjusted so that waste is chopped according to type. Where very compact waste is being treated a sprung shock absorber system buffers shocks caused by overloads and the passage of waste through the system. This system is particularly suitable for use on continuous trims, thick cardboard, sweeping floors, manual clippings, etc...





A LARGE RANGE OF PRODUCT

Model	Airflow range m ³ /h	Pressure range daPa	Belt transmission	Direct coupling	Stick	Application Example
31	500 - 2 000	80 - 160		X	without	Setting under flod
40	600 - 5 000	60 - 500	X	With variable speed unit	without	Metal Waste Food Printing industry Pharmaceutical industry
50	800 - 8 000	40 - 500	X	With variable speed unit	without	
63	1 200 - 12 000	40 - 500	X	With variable speed unit	without	
80	2 200 - 22 000	60 - 500	X		without	Stationery Cardboard Automobile industry
100	3 500 - 35 000	60 - 500	X		without	
30/42	500 - 1 500	140 - 180		X	with	Setting under flod
45/42	600 - 6 000	60 - 400	X		with	Metal Waste Food Pharmaceutical industry
55/42	600 - 6 000	70 - 450	X		with	
65/42	1 200 - 12 000	60 - 600	X		with	
77/42	2 000 - 20 000	70 - 700	X		with	
77/50	2 500 - 25 000	80 - 650	X		with	Stationery Automobile industry
77/55	3 000 - 30 000	70 - 500	X		with	
84/55	3 500 - 35 000	80 - 550	X		with	
92/55	4 500 - 45 000	90 - 550	X		with	

ROTARY AIRLOCK

300x300, 300x400, 500x500



The Delta NEU rotary airlocks ensure that the quantity of dust as well as chips discharging from the hopper is continuous.

The airlocks 300x300, 300x400 et 500x500 maintains an airtight seal which guarantees that the correct operation of the system is sustained especially when it is incorporated with a pneumatic conveying system.

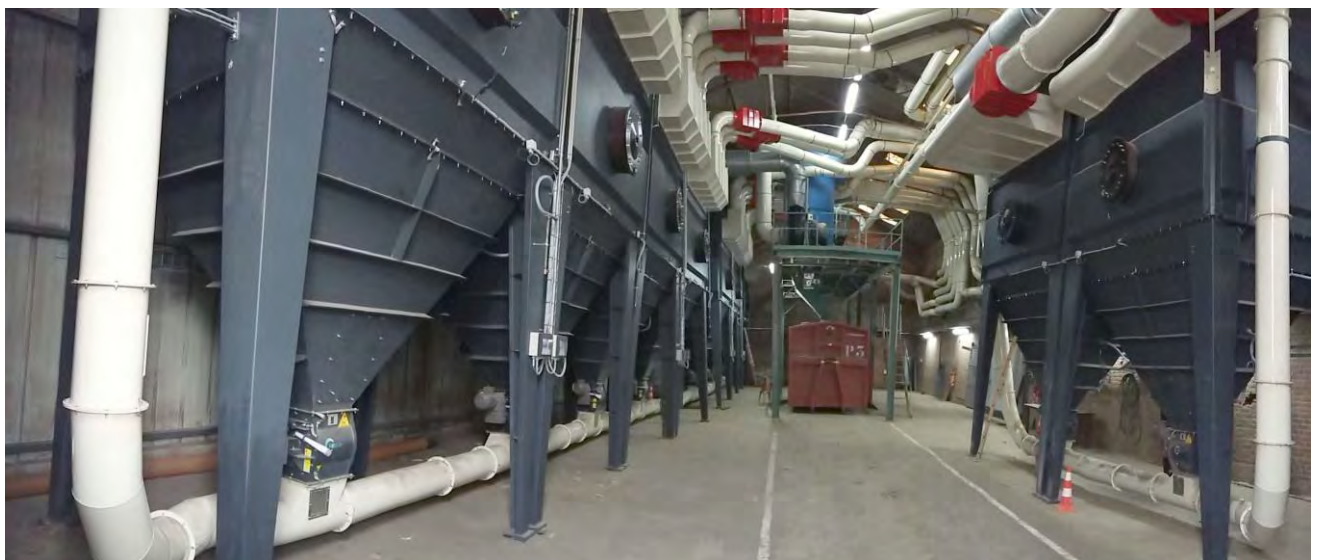
They are ATEX certified FTZU 07 ATEX 0070X following NF EN 15089. They are classified as « flame break » and explosion pressure shock resistant zone 20 (internally) external zone in accordance with plant zone (1, 21, 2, 22, ex zone).

EFFICIENCY

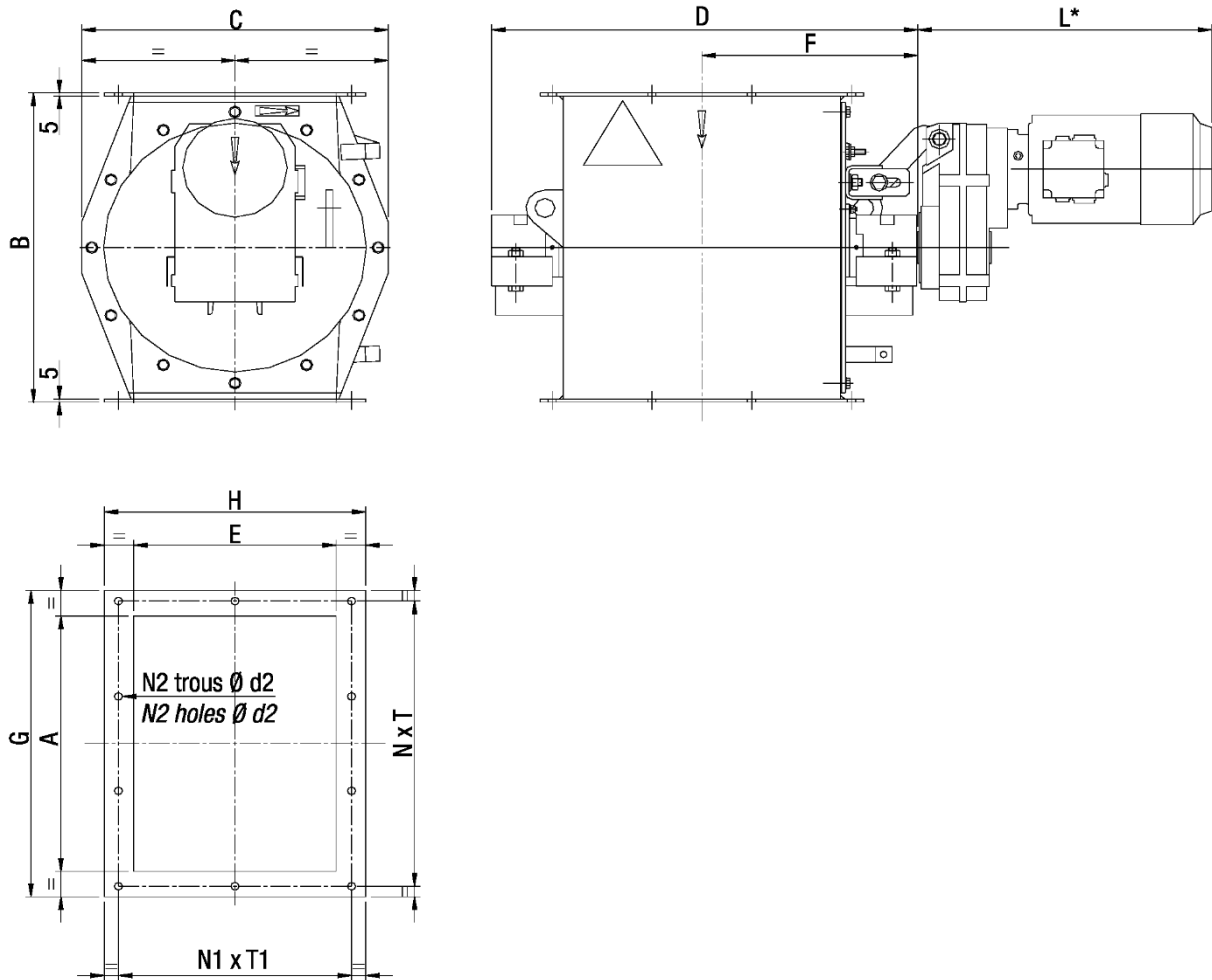
- + Due to the use of a 8 blades rotor and a high rotation speed (21 rpm), these rotary airlockas are particularly airtight. They can cope with high volume of material.
- + Their particular design give them an important capacity

SIMPLICITY

- + Robust construction
- + Ease of use
- + Reduced maintenance operation.



DIMENSIONS



Type	A	B	C	D	E	F	G	H	L(*)	N x T	N1xT1	N2	d2	Weight kg
300x300	300	485	455	532	308	270	380	388	436/525*	2x173	2x173	8	12	103
300x400	400	485	455	632	308	320	480	388	436/525*	3x148	2x173	10	12	121
500x500	500	810	760	732	508	370	600	608	436/525*	3x186	3x186	12	12	227

RANGE

Type	Moto-reducer				Dust exhaust capacity		
	Output torque	Output speed	Motor power	Motor speed	100%	75%	50%
	Nm	rpm	kW	rpm	m ³ /h	m ³ /h	m ³ /h
300 x 300	505	21	1,1	1500	56	42	27
300 x 400	505	21	1,1	1500	75	56	37
500 x 500	684	21	1,5	1500	250	180	125

SEPAROBOIS® M

DUST COLLECTOR FOR WOOD SHAVINGS, CHIPS AND DUST



To protect operators and their working conditions, to clean atmosphere, to reduce maintenance costs of the workshop machines.

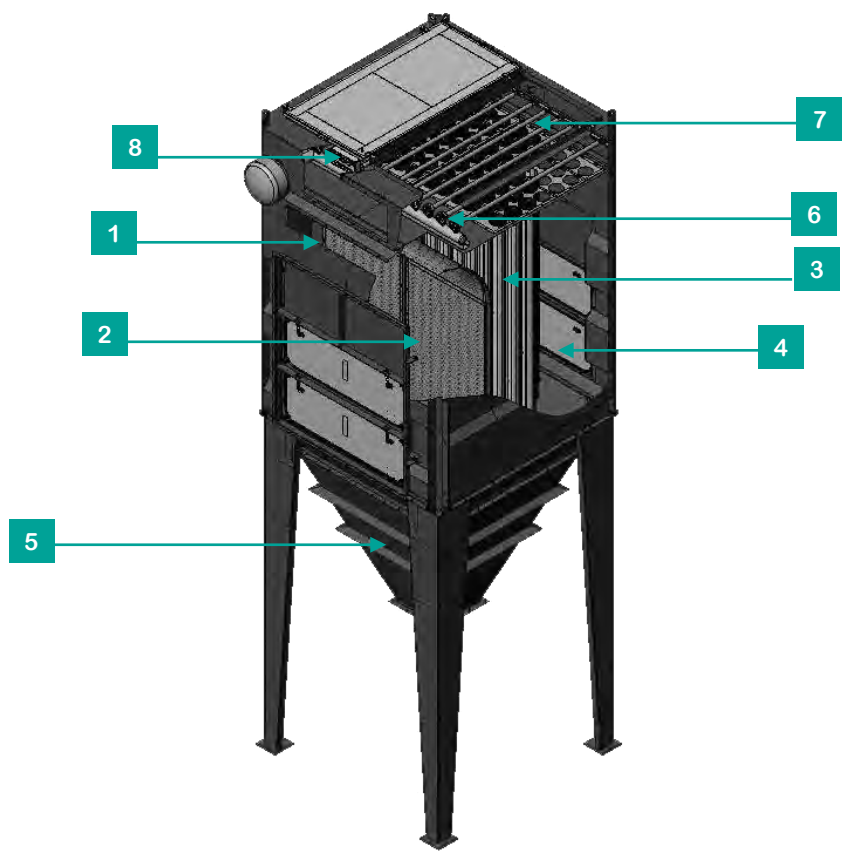
- + The **SEPAROBOIS® M** is a dust collector designed for centralised transfer installations of wood shavings, chips and dust.
- + The **SEPAROBOIS® M** is equipped with vertical sleeves. It is designed to treat large air flow.
- + **Compact design** for easy installation in all plant configurations.
- + In conformity with **ATEX Directives** , it is equipped with antistatic filter sleeves and with side explosion vents.

ADVANTAGES






- + A high-efficiency filter media to guarantee a very low dust level release of a few mg/Nm³
- + A large range of equipment with capacity up to 50 000 m³/h
- + Easy maintenance: dismantling and reassembly of filter elements quick and easy through a numerous access door.
- + Low power consumption : use of high efficiency fans and motors. Speed variator. Optimum compressed air cleaning system.

1	Air + dust inlet
2	Separation grid
3	Filter sleeves
4	Explosion vents
5	Material reception hopper
6	Air jet cleaning valves
7	Air jet cleaning tubes
8	Clean air outlet



OPERATING PRINCIPLE

	AIR / MATERIAL SEPARATION: Chips and shavings are separated from the transport air by sliding on a curved grid (2).
	AIR DEDUSTING: When passing through the grid, the transport air is dedusted by a tubular sleeve filter (3) and is sucked by an external fan (vacuum operation). The filter is cleaned during operation by injection of compressed air.
	EVACUATION OF MATERIAL AND DUST: The chips and shavings are evacuated by a rotary valve ensuring airtightness to an external reception equipment (tank, compactor, press, ...). The collected dust is extracted by the rotary valve through the common hopper.

RANGE

Model	Nber of module	Surface (m ²)	Sleeve Length (mm)	Nominal Air flow (m ³ /h)	Nber of valves	Compressed air pressure (bar) *	Compressed air consumption (bar) **	Weight ***	
								with conveying system (kg)	with big bag (kg)
20	1	21	2500	5000	3	4	1,22	2150	2300
40	1	42	2500	10000	6	4	2,45	2200	2350
60	1	55	3250	15000	6	5	2,9	2350	2500
80	2	84	2500	20000	12	4	4,89	2950	3100
100	2	109	3250	25000	12	5	5,81	3250	3400
120	2	116	4150	30000	10	6	5,6	3250	3350
140	2	139	4150	35000	12	6	6,72	3650	3750
160	3	164	3250	40000	18	5	8,71	4400	
180	3	174	4150	45000	15	6	8,4	4750	
200	3	208	4150	50000	18	6	10,08	4950	

* : Dry and oil free compressed air

** : in Nm³/h for cleaning every 15 minutes

*** : Weight in kg : filter + hopper + feet + ladder + parapet but rotary valve not included

SEPAROBOIS® P

DUST COLLECTOR FOR WOOD SHAVINGS, CHIPS AND DUST



To protect operators and their working conditions, to clean atmosphere, to reduce maintenance costs of the workshop machines.

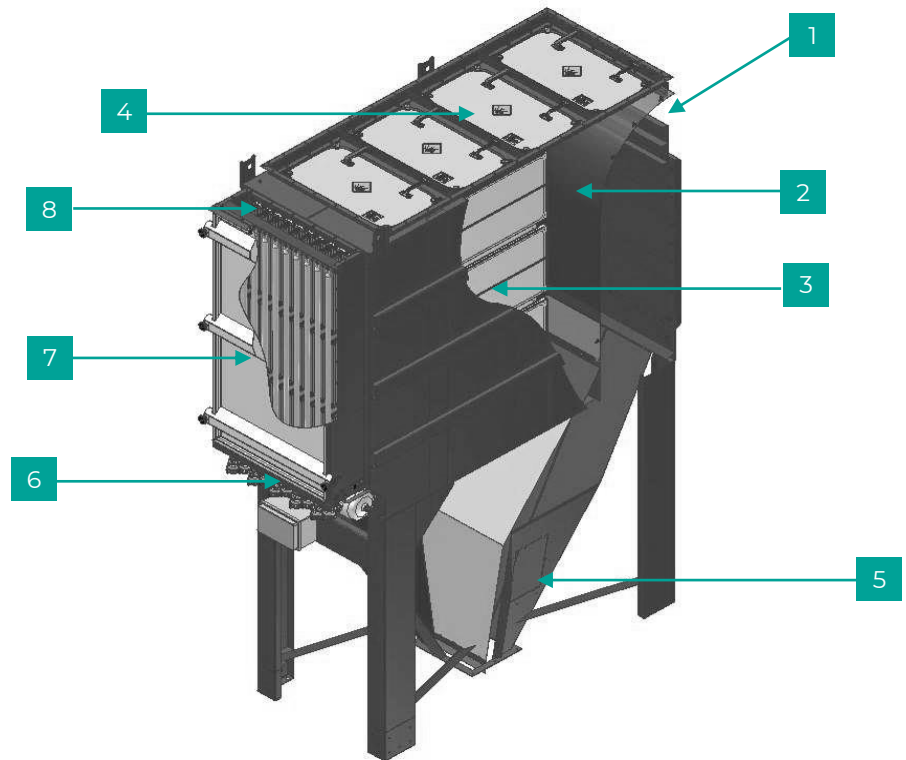
- + The **SEPAROBOIS® P** is a dust collector designed for centralised transfer installations of wood shavings, chips and dust.
- + The **SEPAROBOIS® P** is equipped with horizontal filter bags
- + **Compact design** particularly suited for installation in small and middle joinery.
- + In conformity with **ATEX Directives**, it is equipped with antistatic filter sleeves and with explosion vents installed on the filter top.

ADVANTAGES




- + A high-efficiency filter media to guarantee a very low dust level release of a few mg/ Nm³
- + Filtering area from 45 to 120 m². Maxi air flow: 18 000 m³/h. Generally placed outside, can also be installed inside as the explosion vents are fitted on top.
- + Easy maintenance: dismantling and reassembly the bags are quick and easy thanks to a lateral access door (clean air side)
- + Low energy consumption: use of high efficiency fans and motors. Speed variator. Optimum compressed air cleaning system.

1	Air + material inlet
2	Separation grid
3	Filter elements
4	Explosion vents
5	Material reception hopper
6	Air jet cleaning tubes
7	Access door
8	Clean air outlet



OPERATING PRINCIPLE

	AIR /MATERIAL SEPARATION: Chips and shavings are separated from the transport air by sliding on a curved grid (2).
	AIR DEDUSTING: When passing through the grid, the transport air is dedusted by a bag filter (3) and is sucked by an external fan (vacuum operation). The filter is cleaned during operation by injection of compressed air
	EVACUATION OF MATERIAL AND DUST: The chips and shavings are evacuated by a rotary valve ensuring airtightness to an external reception equipment (tank, compactor, press, ...). The collected dust is extracted by the rotary valve through the common hopper.

RANGE

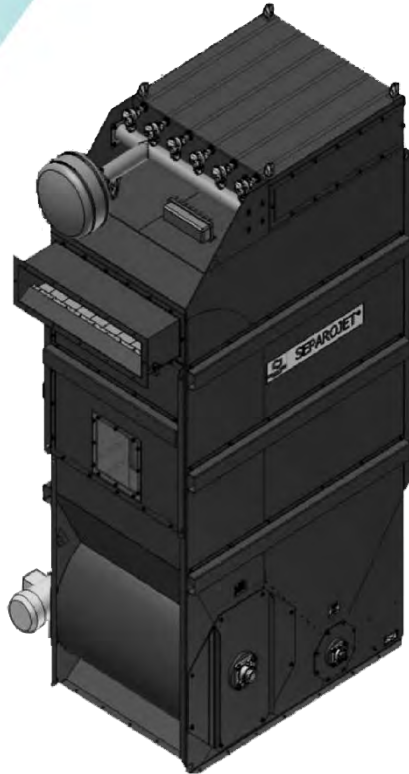
Model	Surface (m ²)	Filter bag length (mm)	Number of bags	Number of valves	Compressed air pressure (bar) *	Compressed air use (m ³ /h) **	Weight		
							Filter casing (kg)	Hopper (kg)	Total (kg)
45	45	1500	30	10	5,5	6,7	1110	316	1426
60	60	2000	30	10	6	10,1	1200	430	1630
90	90	1500	60	20	5,5	13,5	1870	461	2331
120	120	2000	60	20	6	20,2	2120	572	2692

*: Normal dry and oil free compressed air

** : Compressed air consumption for cleaning every 6 minutes

SEPAROJET® M

WASTE AND DUST COLLECTOR



- The **SEPAROJET® M** is a complete and compact unit for:
- + Carrying out air-material separation
 - + Ensuring airtightness and waste extraction by means of a rotary lock into a compactor, baling press...
 - + Continuous filtration of air containing paper or cardboard dust
 - + The compacting and evacuation of this dust in a bag, bin, or any other collector



Easy set up (single-unit and compact pieces)

Easy Maintenance (good number of access doors)

Low energy consumption (High-yield fans and motors, variable speed unit, and compressed air facilitating cleaning cycles)

THREE MAIN ACTIONS



Air/material separation



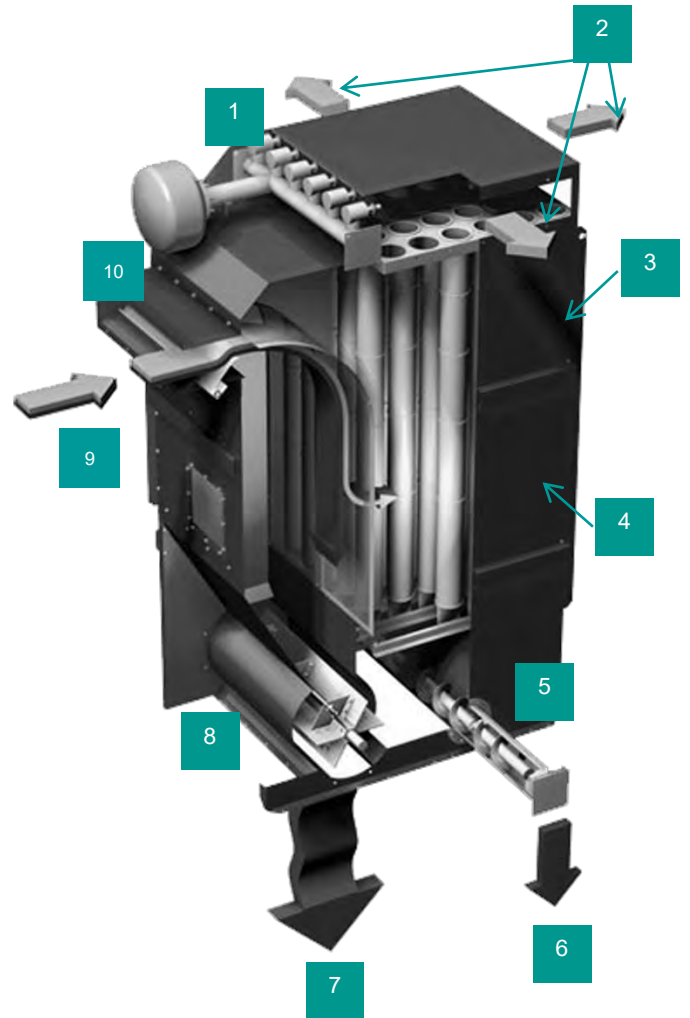
Air dedusting



Evacuation of material and dust



1	Compressed air tank, valves and unclugging nozzles
2	Clean air outlets (3 outlets available)
3	Filtration casing with circular filter bags, snap ring type, explosion vent in option
4	Air/material separation grid
5	Dust extraction rotary valve
6	Dust
7	Waste to compactor, baler
8	Waste extraction
9	Air + waste
10	Inlet flow adjustment shutter

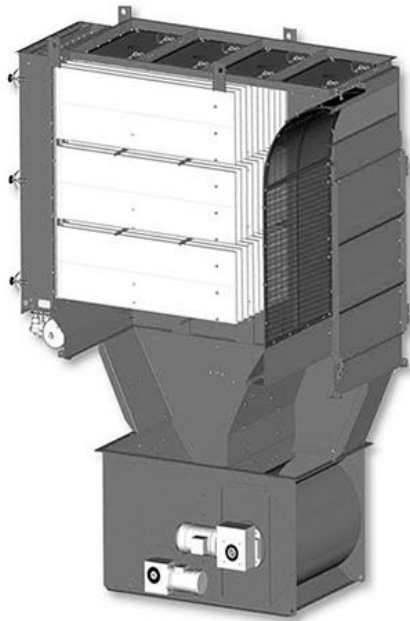


RANGE

Model	Nominal flow m ³ /h	Mass kg	Material discharger supply	Dust discharger supply
SEPAROJET® M 500	5 000	800	20 rpm Motor 3kW 3x230x400V	21 rpm Motor 0,55 kW x230x400V
SEPAROJET® M 1000	10 000	1 100		
SEPAROJET® M 1500	15 000	1 500		
SEPAROJET® M 2000	20 000	2 000		

SEPAROJET® P

SEPARATOR WITH INTEGRATED DUST COLLECTOR



The **SEPAROJET® P** is a complete and compact unit for paper or cardboard recovering. It is made for:

- + Carrying out air-material separation
- + Ensuring air-tightness and waste extraction by means of a rotary valve into a compactor, baling process ...
- + Continuously filter the air containing paper or cardboard dust
- + The compacting and evacuation of this dust in a bag, bin, or any other collector

THREE MAIN ACTIONS



Air/material
separation



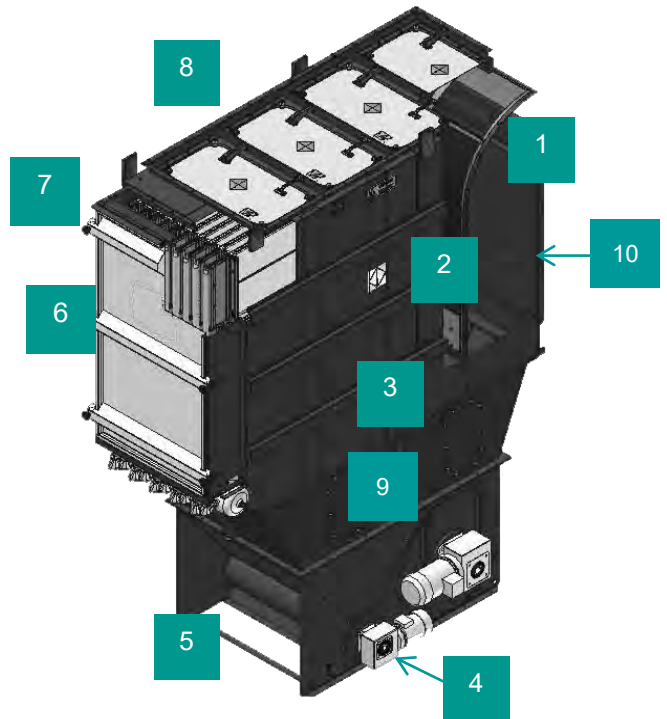
Air dedusting



Evacuation of
material and dust



1	Material inlet
2	Separation grid air / material
3	Hopper separation sheet
4	Material outlet
5	Dust outlet
6	Access door to filtering elements
7	Clean air outlet
8	Explosion holes
9	Access trap
10	Access to grid



Reduced dimension

(monoblock and compact)

Easy maintenance

(access to pockets of clean air through lateral door)

Low energy consumption

(fans and high output motors, speed rheostats, optimization of cleaning cycles)

RANGE

Model	Nominal air flow m ³ /h	Weight of filter hopper kg
SEPAROJET® P 45	6 750	1 200
SEPAROJET® P 60	9 000	1 300
SEPAROJET® P 90	13 500	1 950
SEPAROJET® P 120	18 000	2 200

SEPAROPACK® C

CONTINUE AND DISCONTINUE WASTE HANDLING

SEPAROPACK® C sucks up continuous and discontinuous waste in the form of paper and plastic trimmings from various machines and in particular in the fields of shaping, setting under flod and check book manufacture.

OPERATING PRINCIPLE



- + CHOPPERLINE® type fan provides suction, chopping and transport for waste
- + Air-material separation using a suitable grid
- + Waste compacting and evacuation using screw
- + Large-capacity bags collect waste
- + Large capacity filter sleeves provide air filtration (integrated de-clogging system)
- + Dust collection by second bag (dust circuit independent from waste circuit).

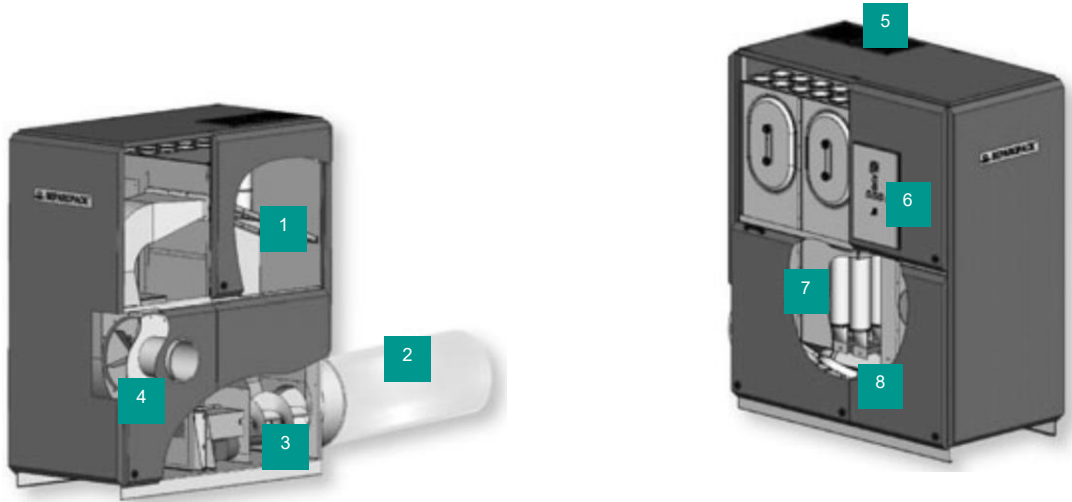


**2 models: 1 200 or 2 400 m³/h,
Silent operation – Reduced dimensions**

APPLICATION EXAMPLES

- + Continuous suction of non-woven skeletons
- + Pneumatic extraction system of Kraft sacks
- + Collection of cut skeletons on presses
- + Continuous cuts extraction ...





1	Separation grille
2	Waste collection bag
3	Waste compacting screw
4	CHOPPERLINE® fan

5	Air outlet
6	Electrical cabinet
7	Filter bags
8	Dust collection

ADVANTAGES

- + Autonomous and mobile
- + Easy maintenance (easy access to all essential parts)
- + No need of transport carriages
- + Limits machines dusting

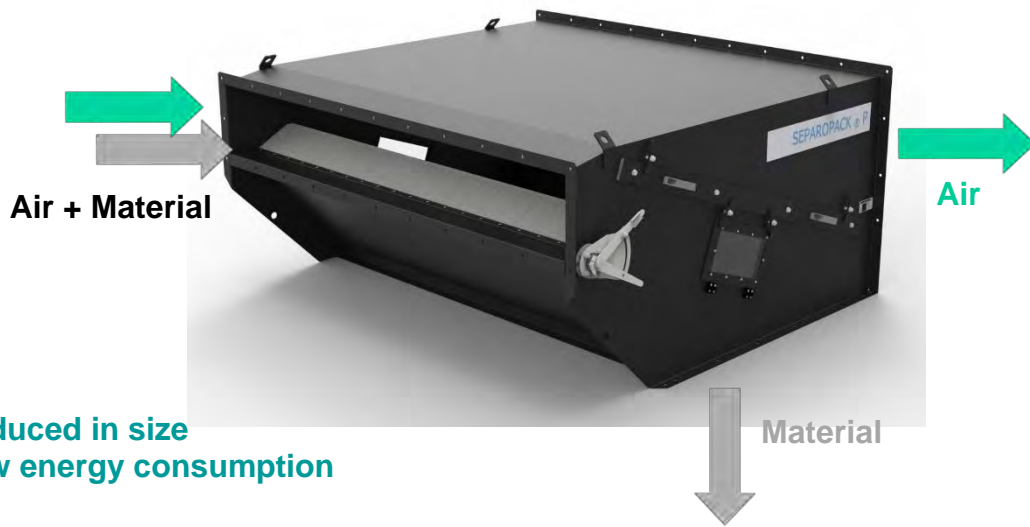
RANGE

Model	SEPAROPACK® C 1 200 C	SEPAROPACK® C 2 400 C
Flow rate (m³/h)	1 200	2 400
Available pressure (daPa)	200	280
Fan motor	4 kW - 2 900 tr/min 3 x 230 x 400 V	7,5 kW - 2 900 tr/min 3 x 230 x 400 V
Grid surface (m²)	0,27	0,53
Filter area (m²)	3,8	7,6
Bagging capacity (liters)	340	
Noise level dB(A) à 1 m	61	68
Weight (kg)	570	730

SEPAROPACK® P

AIR-MATERIAL SEPARATOR

The **SEPAROPACK® P** is a static unit for carrying out air-material separation in waste pneumatic transport installations. It comprises a vertical holding container in which there is an inclined screen.



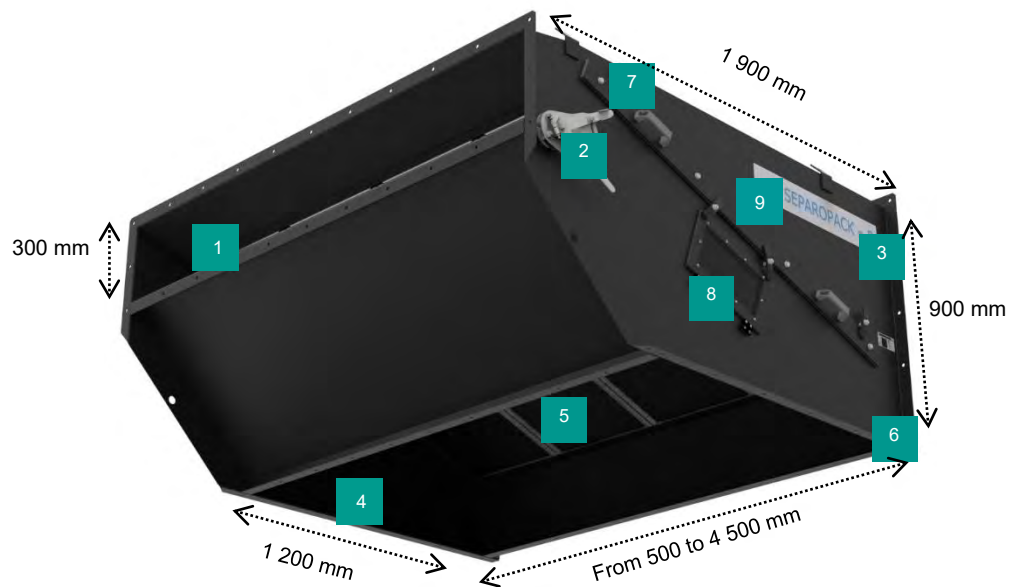
+ Reduced in size
Low energy consumption

APPLICATIONS

- + Collecting paper waste at the outlet of rotary machines
- + Trimmers collecting on cutters and winder
- + Suction of plastic and paper ducts
- + Suction on three-blade trimmers
- + Waste collection on trimming line
- + Pneumatic transfer of machine edges and waste
- + Extraction of waste from crates after crushing
- + Extraction of cutting skeletons on presses ...



1	Air + Waste
2	Adjusting flap sector
3	Air to any dust control system
4	Waste extraction
5	Separating grid
6	Fixing hole
7	Adjusting flap
8	Access door
9	Access door to grids



RANGE

Model	Weight (kg)	Nb of screen	Dimensions without hanging flange at air inlet (mm)
5	180	1	500
10	260	2	1 000
15	340	3	1 500
20	415	4	2 000
25	470	5	2 500
30	570	6	3 000
35	650	7	3 500
40	845	8	4 000
45	950	9	4 500

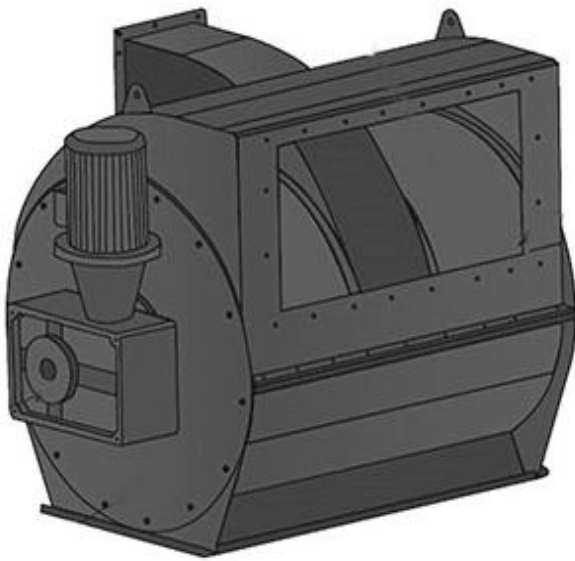
CHARACTERISTICS

- + Airflows: from 5 000 to 45 000 m³/h
- + Horizontal static separation
- + With pressure or vacuum flow
- + Composed of a casing with inspection panels and an access slot for the inclined metal screen mesh/meshes



SEPAROPACK® R

ROTARY SEPARATOR



For a safe and clean environment for operators

SEPAROPACK® R is a complete and compact equipment developed for air-materials separation and waste recovery: paper, cardboard or plastic. Its seal tight design allows it to operate both in pressure and in vacuum

TWO MAJOR FUNCTIONS



Air - materials
separation



Materials
recovery

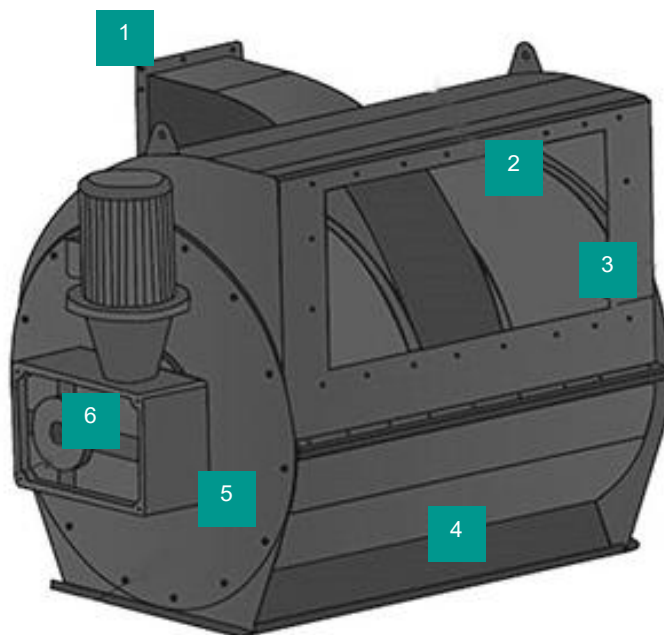
OPERATING PRINCIPLE

1. The air and waste are conveyed to the separator intake.
2. The waste is separated from the transfer air by sliding on a grid.
3. The transfer air can be either dedusted through a filter or sucked by an outside fan (operating under vacuum) or simply released outside (operating under pressure).
4. The waste is evacuated in the lower part of the separator, to an external recovery equipment (baling press, compactor, etc.).
5. The waste is evacuated in the lower part of the separator by an airtight rotary valve.
6. The rotary valve is driven by a gearmotor.



SEPAROPACK®R is a rotary separator dedicated to process waste extraction

1	Air-waste inlet
2	Separation grid
3	Air exhaust
4	Waste outlet
5	Rotary valve
6	Gearmotor



RANGE

Model	Nominal air flow m ³ /h	Weight kg	Material capacity kg/h	Rotary valve power
SEPAROPACK® R5	5 000	242	700	16 tr/min-Motor 1.5kW 3x230x400V
SEPAROPACK® R10	10 000	410	1 200	16 tr/min- Motor 2.2kW 3x230x400V
SEPAROPACK® R20	20 000	814	2 500	16 tr/min- Motor 4.0kW 3x230x400V

The nominal flow rate indicated for each model is the maximum admissible flow rate.
The indicated capacities are given for an apparent density of wastes of 40 kg/m³

SEPAROPACK® V

DISCONTINUE WASTE HANDLING



SEPAROPACK® V is a static equipment intended to separate air and materials in discontinuous waste handling installations that work and preferably operate in vacuum mode.

APPLICATION EXAMPLES

- + Dust and waste recovery on cutting machine
- + Waste collection on sealing machine
- + Cutting waste extraction



Reduced in size
Simple installation (no specific support)

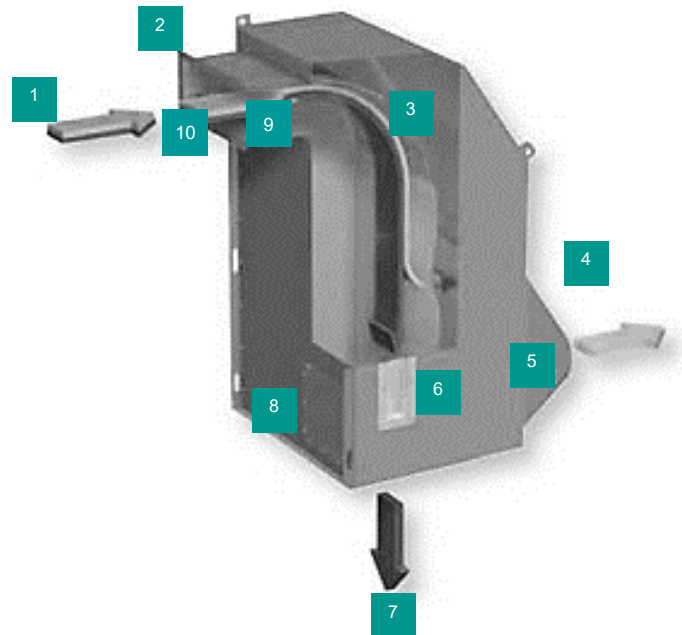


Sealing and waste extraction:
rotary discharger, compactor screw...



OPERATING PRINCIPLE

1	Air + materials intake
2	Intake air flow trim flap (option)
3	Separation of air-materials via the grille
4	Air exhaust
5	Rear air recirculation duct (option)
6	Operation inspection sight glass
7	Materials output
8	Inspection hatch
9	Bolted front access panel
10	Spring blades for the passage of « packets » of materials



RANGE

Model	Nominal air flow (m ³ /h)	Weight without flap (kg)	Weight with flap (kg)
SEPAROPACK® V500	5 000	95	106
SEPAROPACK® V1000	10 000	137	157
SEPAROPACK® V1500	15 000	181	210