

All industries

	Name	Type	Applications
	DELTOLE®	Oil mist collector	Oil mist filtration, metal, aerospace, automotive
	FILTRACLEAN® ECO	Static filter	All types of dust except CMR particles
	FILTRACLEAN® S	Static filter	All sectors, but especially nuclear, pharmaceutical and food
	OILPACK®	Oil mist collector	Oil mist filtration, metal, aerospace, automotive
	DOWNDRAUGHT TABLE	Ventilated workstation	All types of dust: plastic, aluminium, carbon, composite glass, etc.

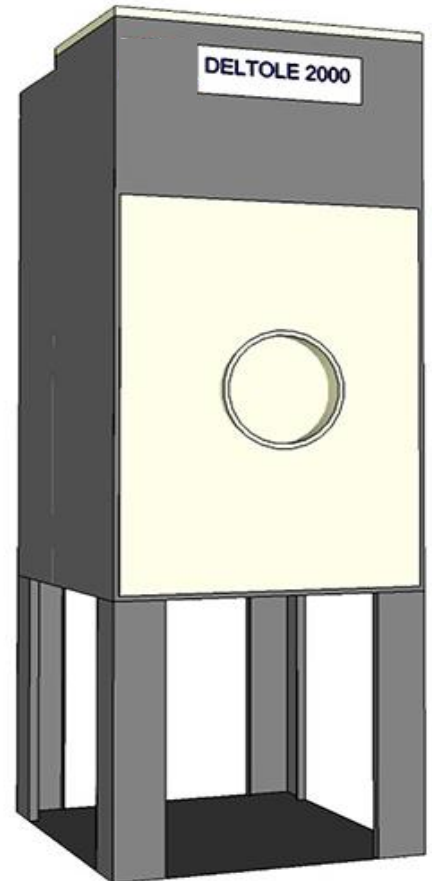
DELTOLE® OIL MIST COLLECTOR

FOR :

- + Air purifying at work place
- + Minimize fire risk hazards
- + Reduce falling risks for the operator (slippery floor)
- + Release a clean and purified air in the atmosphere

OPERATING PRINCIPLE

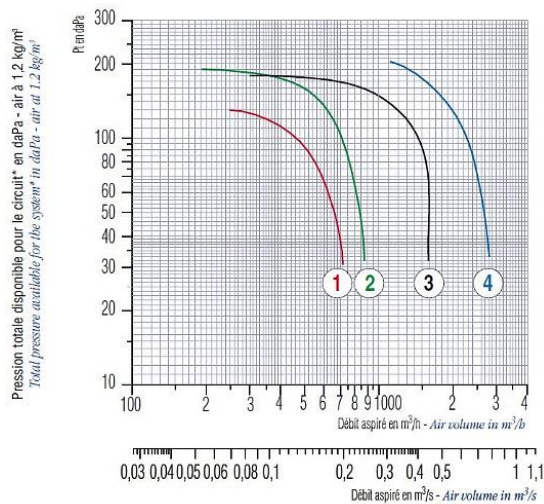
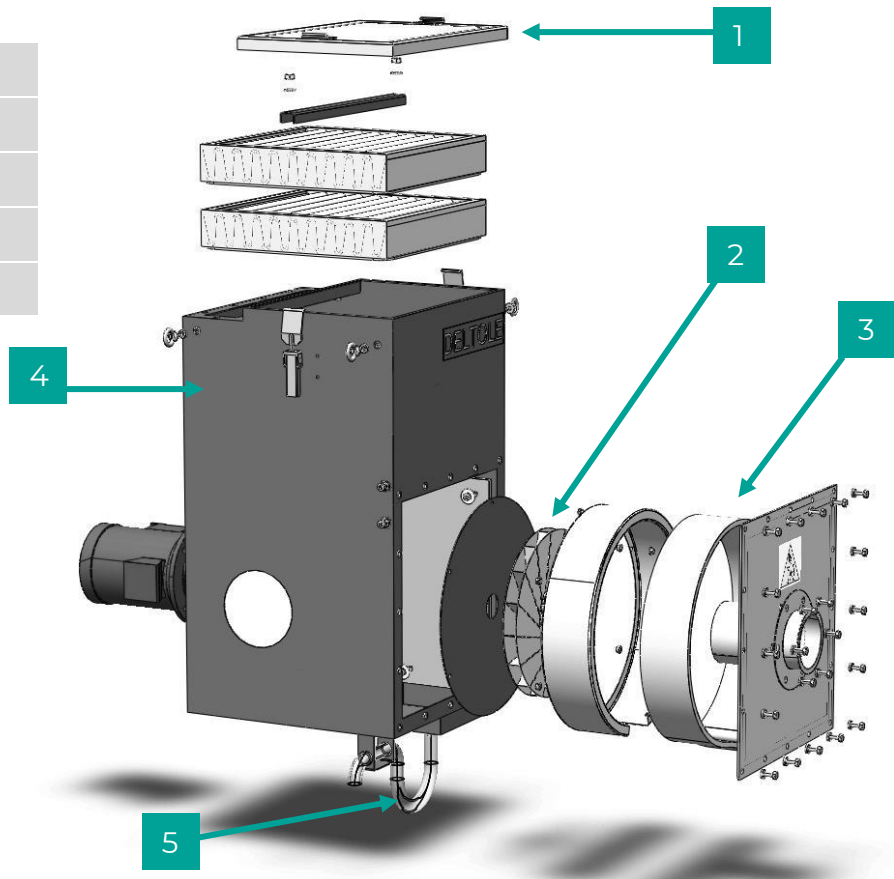
- + The oil mist is separated by the fan impellor or by a cyclone system which allows the majority of oil particles to coalesce.
- + The inertia force ensures that the droplets formed in this way are retained and then migrate to the collection tank through a wire knit filter.
- + The diffusion forces with « Brownien » motion deal with the very fine particles by means of a high efficiency filter used as an option.
- + The oil is then collected in the lower tank and evacuated thanks to a non-return valve.
- + The clean air is then exhausted at the top



CHARACTERISTICS

- + Mechanical separation
- + Operate with both pure oil and water-soluble oil
- + Oil collected by the filter is evacuated by a siphon
- + Wall, console or ceiling mounted
- + Air recirculation in some cases
- + Silent equipment

- 1 Filter access cover
- 2 Impeller
- 3 Metal lattice
- 4 One-piece chamber
- 5 Siphon



RANGE

Model	Curve nr	Air volume m ³ /h	Motor			Sound level dB(A)	Sound level at 3 m dB(A)	Weight kg
			Power kW	Speed rpm	Voltage V			
500	1	500	0.75	2900	3 x 230 x400	80	57	60
1000	2	800	1,5	2900	3 x 230 x400	82	58	90
	3	1300	2,2	2900	3 x 230 x400	82	58	90
2000	4	2000	2,2	2900	3 x 230 x400	82	57	140

FILTRACLEAN® ECO

FILTRATION CASING FOR NON CMR PARTICLES

Designed to complete a dust removal solution. Suitable for dirty environment < to 10 mg/m³



Filtration casing dedicated to all industrial.

- + 3 filtration stages provide filtration of non CMR particles (Carcinogenic-Mutagenic-Reprotoxic) :
 - + A first class M6 stage
 - + A second class F8 stage
 - + And a third class E11 absolute filtration stage.
- + In some cases to reintroduce clean air inside premises..
- + Absolute filtration ≥ 95 % for size particles between 0,1 and 0,2 µm
- + Other filter class (G4 to E12) or charcoal filter in option.

OPERATING PRINCIPLE

The air loaded with dust enters the front side of the **FILTRACLEAN® ECO**. The dust air passes successively through a first filtration stage (class M) and then a second absolute filtration (class E) for a **high efficiency filtration**. Negative pressure is applied to the whole assembly by a centrifugal fan (not supplied).

3 FILTRATION STAGES

1



Pocket filter designed to ensure collection of as much dust as possible (M6)

2

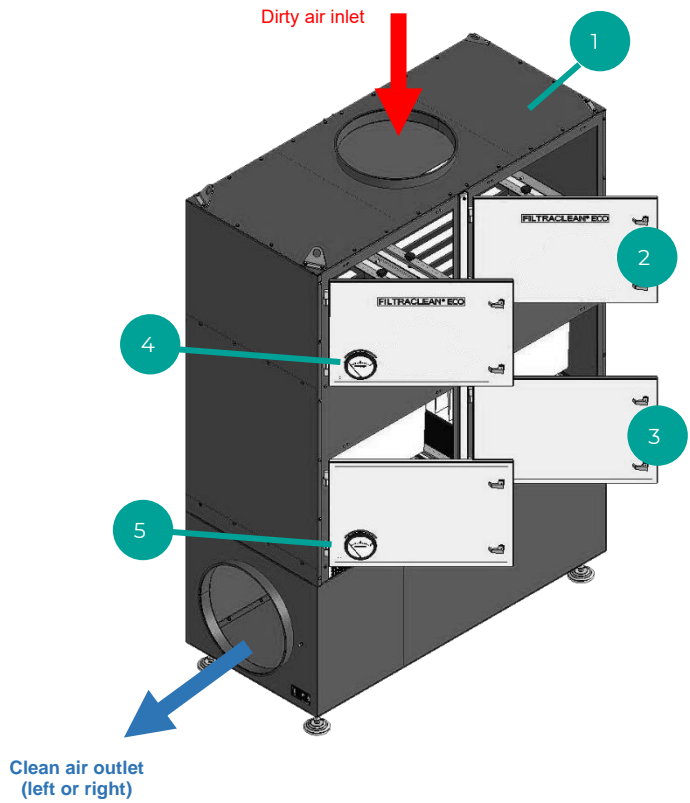


3

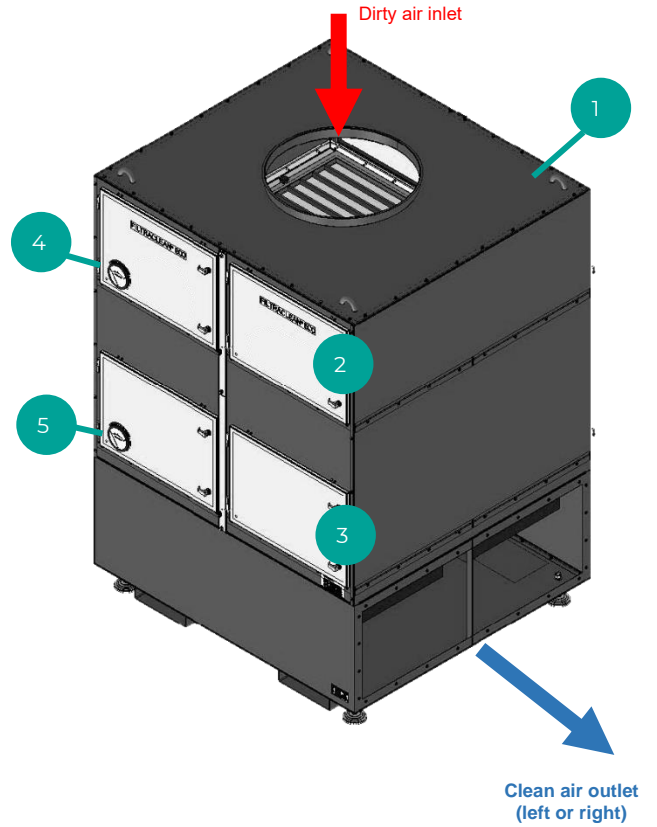
Second and third high efficiency filtration stages (F8 and E11)



FILTRACLEAN® ECO. MODELS 40V to 120V



FILTRACLEAN® ECO. MODELS 160V to 320V



- 1 Chamber
- 2 Access door 1st stage filter
- 3 Access door 2nd stage filter
- 4 Pressure drop 1st stage filter
- 5 Pressure drop 2nd stage filter

RANGE

Model	Nominal air flow (m3/h)	Dimensions H X L X P (mm)	Weight kg (with filter)	Dirty air inlet (mm)	Clean air outlet (mm)
FILTRACLEAN® ECO 40V	4 000	2 021 x 770 x 752	155	Ø 300	Ø 300
FILTRACLEAN® ECO 40H	4 000	817 x 1 907 x 752	152	Ø 300	Ø 300
FILTRACLEAN® ECO 80V	8 000	2 253 x 1 536 x 752	280	Ø 450	Ø 450
FILTRACLEAN® ECO 120V	12 000	2 350 x 2 302 x 752	480	Ø 550	Ø 550
FILTRACLEAN® ECO 160V	16 000	2 187 x 1 536 x 1 496	500	Ø 650	1 300 x 450
FILTRACLEAN® ECO 240V	24 000	2 303 x 2 302 x 1 496	710	Ø 750	1 300 x 550
FILTRACLEAN® ECO 320V	32 000	2 303 x 3 068 x 1 496	900	Ø 900	1 300 x 550

FILTRACLEAN® S ABSOLUTE FILTRATION CASING



To protect people and their natural environment against the spreading of fine and dangerous particles

- + The **FILTRACLEAN® S** is a filtration casing intended for all industrial sectors, especially the nuclear, pharmaceutical and food processing sectors
- + **Two filtration stages** provide **absolute filtration** of Carcinogenic-Mutagenic-Reprotoxic (CMR) particles : a first class F8 stage and a second class H13 or THE polydihedron absolute filtration stage

FILTER CLASS	
NF EN 779 Standard	
Average synthetic dust arrest	
G1 < 65 %	Large particles
G2 < 80 %	
G3 < 90 %	
G4 > 90 %	
Average efficiency: particles of 0.4 µm	
M5 < 60 %	Average particles
M6 < 80 %	
F7 < 90 %	
1st Stage →	Fine particles
F8 < 95 %	
F9 < 95 %	
NF EN 1822 Standard	
Cleaning efficiency	
E10 > 85 %	
E11 > 95 %	
E12 > 99,5 %	
2nd Stage →	H13 > 99,95 %
	H14 > 99,995 %
	U15 > 99,9995 %

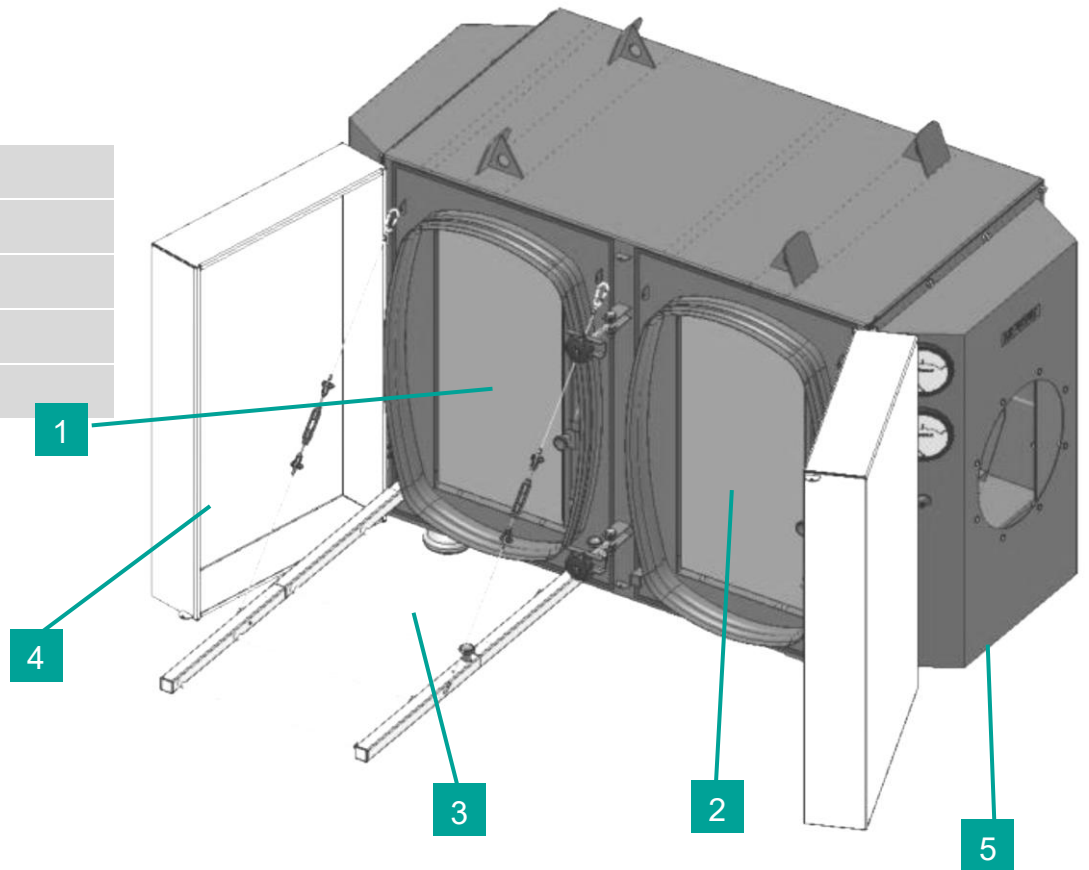
OPERATING PRINCIPLE

- + The dust air enters the lateral side (left or right) of the **FILTRACLEAN® S**.
- + The air inlet is fitted with a deflector to prevent the dust from being projected directly onto the filter and to spread the dirty air over the entire width of the casing.
- + The dust air passes successively through a first filtration stage (class F8) and then a second absolute filtration (class H13 or THE polydihedron) .
- + Negative pressure is applied to the whole assembly a centrifugal fan (not supplied).

BAG-IN BAG-OUT SYSTEM



- 1 F8 filter
- 2 Absolute filter
- 3 Handling tablet
- 4 Filter access door
- 5 Pressure switch



CHARACTERISTICS

RANGE	Nominal flowrate m ³ /h	Nber of modules	Length mm	width mm	Heigth mm	weight kg
S 34	3 400	1	1 423	802	1 034	240
S 68 H	6 800	2	1 423	1 603	1 034	480
S 68 V	6 800	2	1 423	802	1 864	480
S 102	10 200	3	1 423	802	2 694	800
S 136	13 600	4	1 423	1 603	1 864	960
S 204	20 400	6	1 423	1 603	2 694	1 440



OILPACK®

OIL MIST FILTRATION

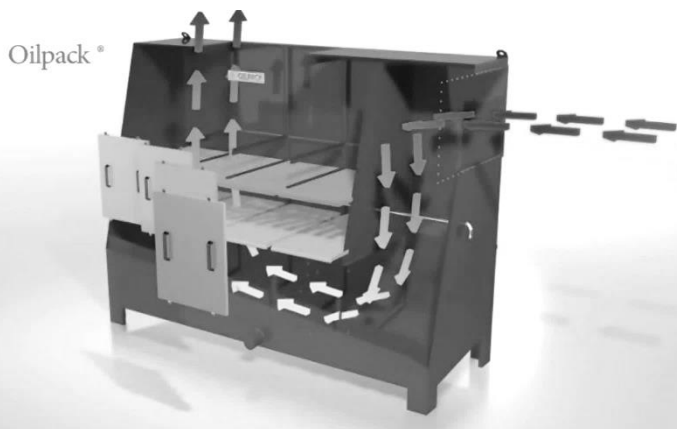
Dedicated to :

- + Clean air at operator workplace
- + Reducing the risk of fire
- + Reduce the risk of operator falling (slippery ground)
- + Release a clean and pure air into the atmosphere



OPERATING PRINCIPLE

- + The air is directed downwards by an inlet deflector, and then it ascends into a 1 or 2 stage metalknit mesh filter, where the oil mist particles agglomerate.
- + A drain valve is provided in the base of the hopper to allow the draining of the recovered oil.
- + The clean air is top discharged.



CHARACTERISTICS

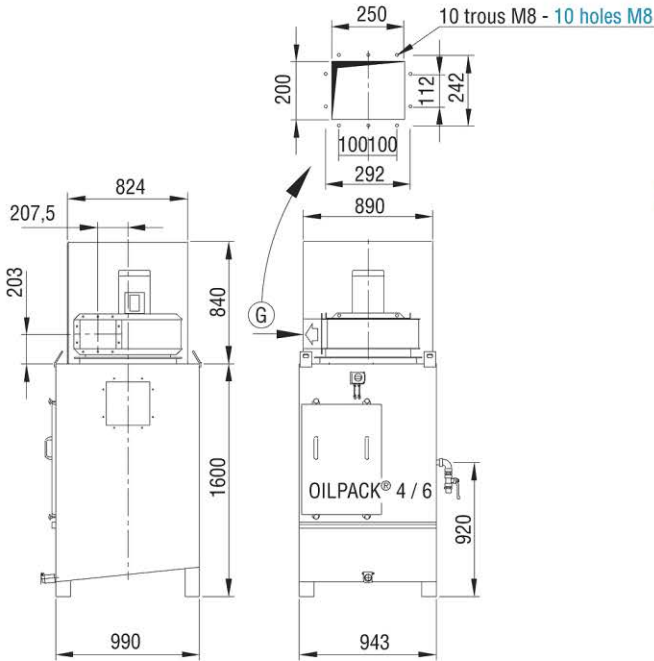
- + Easy access to filter (access door)
- + Manometer to follow pressure drop level
- + Automatic washing system to clean the first stage (option)
- + A third stage of filtration (option)



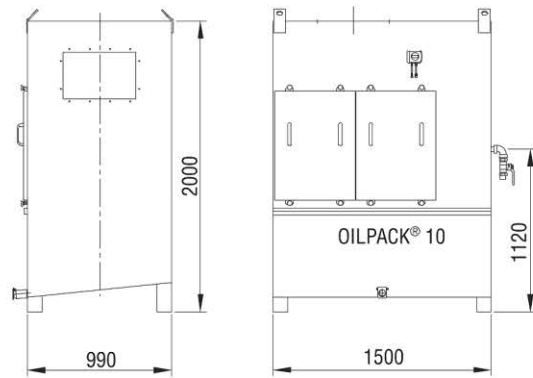
DIMENSIONS

ENCOMBREMENT OILPACK® 4 ET 6 AVEC VENTILATEUR DIMENSIONS OILPACK® 4 AND 6 WITH FAN

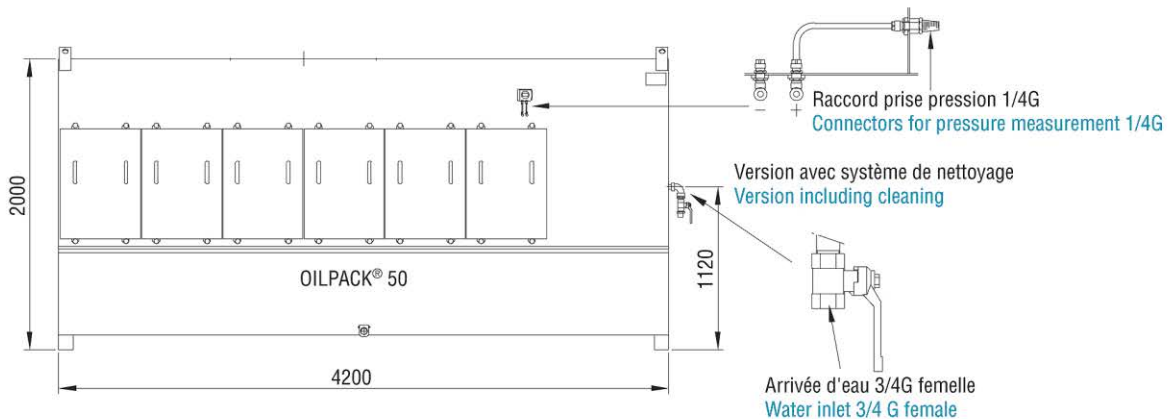
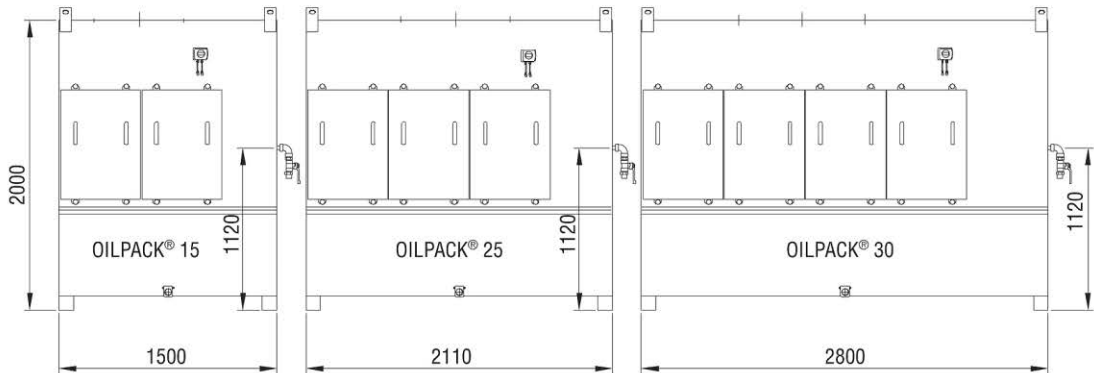
Vue G (Sortie avec ventilateur) - View G (Outlet with fan)



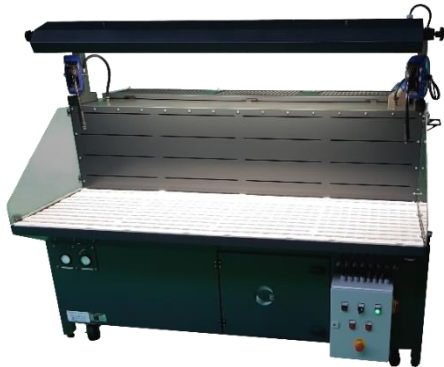
ENCOMBREMENT OILPACK® 10 SANS VENTILATEUR DIMENSIONS OILPACK® 10 WITHOUT FAN



ENCOMBREMENT OILPACK® 10 À 50 SANS VENTILATEUR DIMENSIONS OILPACK® 10 TO 50 WITHOUT FAN



VENTILATED WORKSTATION DOWNDRAUGHT TABLE



- + Ensure a clean and protected working environment
- + Operatives safety
- + In conformity with applicable regulations
- + Facilitates air recirculation within the workspace in the case of non-CMR dusts (*)
- + Energy savings
- + Three levels of filtration for optimum results

SUITABLE DUST TYPES

- plastic
- aluminium
- carbon
- composite
- glass
- and more

EXAMPLE OF APPLICATIONS

- + Precision-grinding and fitting parts
- + Cleaning small parts
- + Manual sanding
- + Dust control at finishing work
- + Dust control at small weighing work
- + Dust control at mixing stations
- + Retouching paintwork
- + Extracting pollutants (polish, varnish, etc.)
- + and more



EN 779 STANDARD

Average efficiency of synthetic dust		WIRE MESH FILTER	Average efficiency with 0.4 µm particles		PLEATED MEDIA FILTER
G1 < 65%	Large particles		M5 < 60% (*)	Medium-sized particles	
G2 < 80%			M6 < 80%		
G3 < 90% (*)			F7 < 90%	Small particles	
G4 < 90%			F8 < 95%		
		F9 < 95%			

EN 1822 STANDARD

Purification efficiency	MINI PLEAT FILTER (*)	Purification efficiency	MINI PLEAT FILTER (*)
E10 > 85 %		H14 > 99,995 %	
E11 > 95 % (*)		U15 > 99,9995 %	
E12 > 99,5 %		U16 > 99,99995 %	
H13 > 99,95 %		U17 > 99,999995 %	

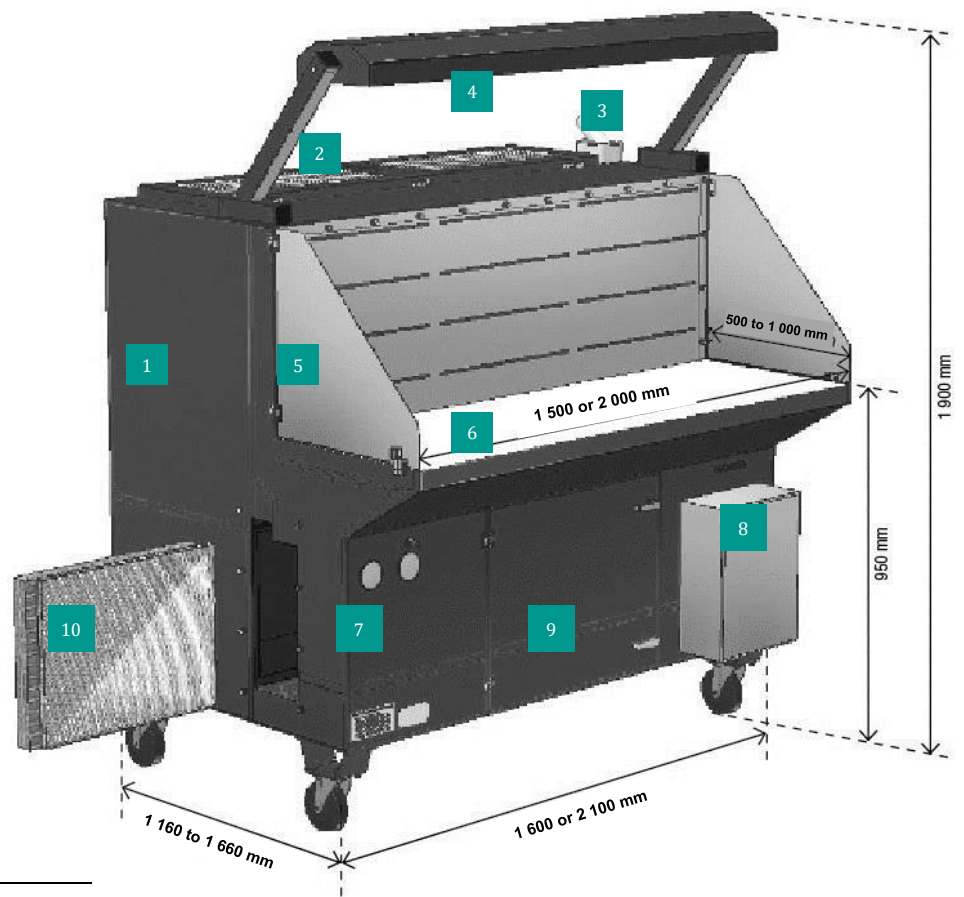
(*) : Provided all the pollutants released are known

SAFETY

- + Suction speeds comply with the recommendations of INRS (French office for health and safety)
- + Level of filter contamination monitored by 2 pressure gauges
- + Easy to maintain

DESCRIPTION

1	Fans
2	E11 finishing filters (or activated carbon filters - optional)
3	Power socket
4	Adjustable lighting strip
5	Articulated side panels
6	Non-scratching work surface
7	Pressure gauges
8	Electrical control cabinet
9	Particle recovery units
10	G3 + M5 pre-filters



CHARACTERISTICS

- + Treated air circulation:
2 700 m³/h to 6 300 m³/h
- + 2 x 1.27 kW fans
- + Fully mobile (swivel castors)
- + 2 x pressure gauges
- + Lateral access covers to the G3/M5 filters
- + Noise level at 1 m: 68 dB(A) ± 2 dB (in accordance with EN ISO 3746)
- + Plug and play: requires a simple single-phase power supply (230 V – 16 A)

RANGE

MODEL	OVERALL DIMENSIONS (mm)			WEIGHT (kg)
	Length	Width	Height	
1 500 x 500	1 160	1 600	1 900	340
1 500 x 600	1 260	1 600	1 900	350
1 500 x 700	1 360	1 600	1 900	360
1 500 x 800	1 460	1 600	1 900	370
1 500 x 900	1 560	1 600	1 900	380
1 500 x 1 000	1 660	1 600	1 900	390
2 000 x 500	1 160	2 100	1 900	410
2 000 x 600	1 260	2 100	1 900	420
2 000 x 700	1 360	2 100	1 900	430
2 000 x 800	1 460	2 100	1 900	440
2 000 x 900	1 560	2 100	1 900	450
2 000 x 1 000	1 660	2 100	1 900	460

OPTIONS

- + Vice holders
- + 2 x pressure sensors with warning lights to indicate when the filters are contaminated
- + Activated carbon finishing filters
- + Translucent side panels

The manufacturer expressly reserves the right to make any changes to these models that it deems necessary.