

# NEUMATIC® JE - JR

## FOR CENTRALISED VACUUM CLEANING

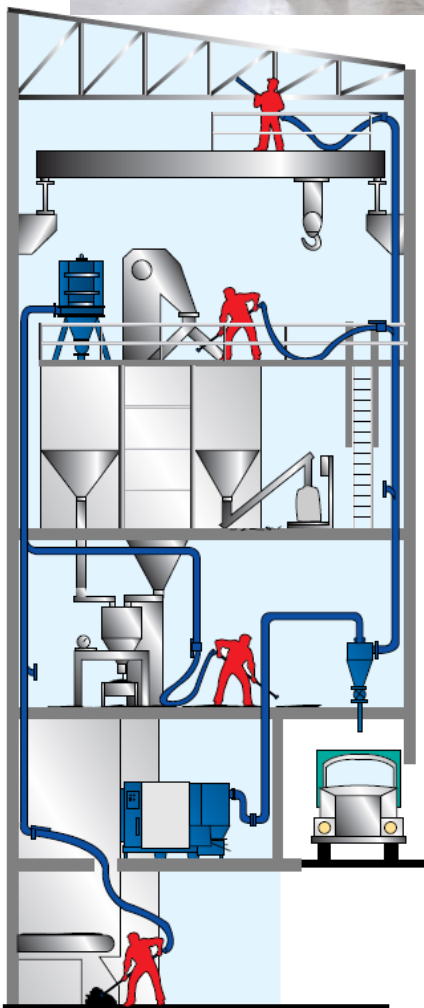


The **NEUMATIC® JE-JR** is a dust collector with automatic cleaning by injection of compressed air and constitutes the major part of a centralised cleaning installation.

**Clean premises help to improve safety and working conditions and reduce the risk of explosion.**

A centralised vacuum cleaning system generally consists of the following:

- + Dust collection accessories (flexible, cane, suction nozzle)
- + Material reception devices
- + Negative pressure element
- + Sound insulation
- + Conveying pipe
- + Automatic cleaning filter
- + Material collecting system

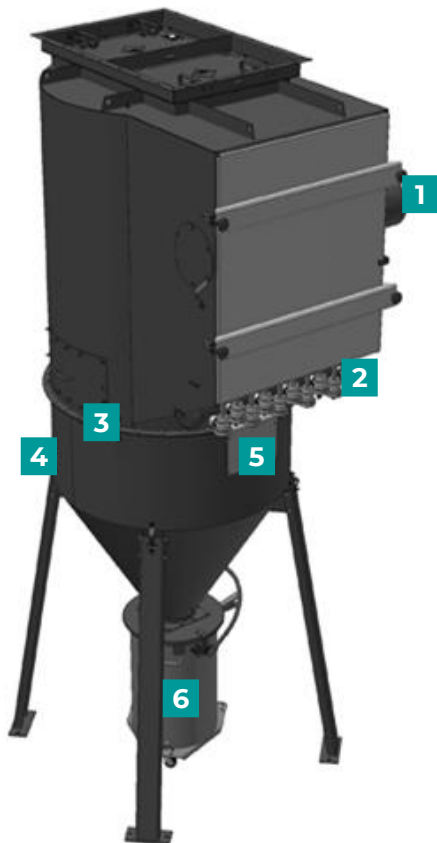


### OPERATING PRINCIPLE

- + The dust air arrives laterally. A wide deflector allows a direct settling of the largest particles in the hopper.
- + The finest dust passes through the filter media from the outside to the inside, depositing dust on the outside of the filter media.
- + The clean air is then evacuated to the outside of the filter.
- + Unclogging is achieved by a very short injection of compressed air into the filter bag via a venturi.



Available in ATEX version : vent on one side or above



1	Clean air exhaust
2	Compressed air connections
3	Hopper flange on filter casing
4	Dust air inlet
5	Sequencer
6	Collecting bin

### OPTIONS

- + 95L bin on wheels with cover (pre-equipped for equi-pressure system)
- + Complete kit for equi-pressure (flexible + couplings)
- + Shutoff valve with 2 sleeves, plate, nuts and bolts

### RANGE

Model	Filtering surface (m <sup>2</sup> )	Weight approx. with complete filter body (kg)	Hopper weight with tangential inlet (kg)	Set of 4 standard feet		Set of 4 raised feet for valve option	
				Length (mm)	Weight (kg)	Length (mm)	Weight (kg)
NEUMATIC® JE6	6	270	100	1 340	55	1 604	65
NEUMATIC® JE12	12	360	100	1 340	55	1 604	65
NEUMATIC® JE20	20	500	190	1 543	60	1 807	70
NEUMATIC® JE30	30	600	280	1 796	65	2 060	80
NEUMATIC® JR12	12	290	100	1 340	55	1 604	65
NEUMATIC® JR24	24	380	100	1 340	55	1 604	65
NEUMATIC® JR40	40	520	190	1 543	60	1 807	70

### ACCESSORIES

