



Assembly and operating instructions

for the digital “GUARD” handles of the system families

ENiQ

ELS

DOM Tapkey

English translation of the original German instructions

05/2021



Contents

About this manual and manufacturer information	5
Keep the manual available	5
Text layout features	5
Directions	5
Mutually applicable documents	6
Warranty and liability	6
Copyright	6
Documentation Officer	6
Manufacturer's address	7
Information available online	7
Safety.....	8
Intended use	8
Ambient conditions	8
Fundamental safety information	8
Avoid risks of explosion	8
Risk of injury by swallowing small parts	8
Risk of injury when drilling holes or screwing	9
Danger of injury when shortening the spindle	9
Danger of injury while attaching	9
Avoid property damage and functional problems	10
Qualification of the staff	11
Layout features of warning notes	12
Layout features of notes indicating property damage	12
Description	13
Characteristics and function of the handles	13
GUARD Slimline set reading on one side	14
GUARD Slimline set reading on one side with short plate and rosette	14
GUARD Slimline set reading on both sides	15
Mechanical GUARD Slimline set	15
GUARD Compact Slimline	16
GUARD Compact Slimline without rosettes	16
Mechanical GUARD Slimline rosette set	17
GUARD Wideline set reading on one side	17
GUARD Wideline set reading on one side with rosettes	18
GUARD Wideline set reading on both sides	18
Mechanical GUARD Wideline set	19
GUARD Compact Wideline set reading on one side	19
GUARD Wideline Compact without rosettes	20
GUARD Wideline rosette set	20
Overview of the lever handles	21



Task and function	24
Overview of the most important components of the handles	26
Long plate handles reading on one side	26
Components of mechanical long plate handle sets	28
Components of the Compact Slimline set	29
Components of the Slimline rosette set	31
Compact Wideline set reading on one side	32
Components of the Wideline rosette set	33
LED displays on the reading field	34
Scope of supply	35
GUARD Slimline set reading on one side	36
GUARD Slimline set reading on one side with short plate and rosette	37
GUARD Slimline set reading on both sides	38
Mechanical GUARD Slimline set	39
GUARD Compact Slimline	40
GUARD Compact Slimline without rosettes	41
Mechanical GUARD Slimline rosette set	42
GUARD Wideline set reading on one side	43
GUARD Wideline set reading on one side with rosettes	44
GUARD Wideline set reading on both sides	45
Mechanical GUARD Wideline set	46
GUARD Compact Wideline set reading on one side	47
GUARD Wideline Compact without rosettes	48
GUARD Wideline rosette set	50
Combination GUARD with third-party handle	51
Available accessories	52
Adapter sleeves	53
Adapter plate for GUARD Compact Slimline	55
Batteries	57
Technical data	57
Storing handle	58
Installation	59
Preparing installation	59
Align lever handle on the mechanical handle	61
Attaching lever handle on the electronic handle	63
Insert spindle	67
Shortening spindle	68
Use spindle without reducing bushes	68
Use adapter sleeves for smaller spindle hubs	70
Use adapter sleeve for 10 mm spindle hub	75
Installing handle	76
GUARD Slimline set reading on one side	77
GUARD Slimline set reading on one side with short plate and rosette	89



GUARD Slimline set reading on both sides.....	103
Mechanical GUARD Slimline set.....	114
GUARD Compact Slimline.....	122
GUARD Compact Slimline with adapter plate.....	132
GUARD Compact Slimline without rosettes.....	145
Mechanical GUARD Slimline rosette set.....	152
GUARD Wideline set reading on one side.....	159
GUARD Wideline set reading on one side with rosettes.....	172
GUARD Wideline set reading on both sides.....	189
Mechanical GUARD Wideline set.....	200
GUARD Compact Wideline set reading on one side.....	208
GUARD Wideline Compact without rosettes.....	218
GUARD Wideline rosette set.....	224
Combination GUARD with third-party handle.....	237
Using handle.....	241
Putting the handle into operation.....	241
Creating a transponder.....	242
Cleaning handle.....	242
Changing batteries.....	243
Following use.....	251
Removing handle.....	251
Remove mechanical cover and rosettes.....	251
Taking away cover of electronic handle.....	254
Dismantling the handle with an adapter plate.....	255
Removing assembly profiles.....	256
Removing spindle.....	256
Removing outer lever handle.....	256
Keep removed parts safe.....	257
Disposal of handle.....	257
Contact.....	258



About this manual and manufacturer information

These assembly instructions will assist you in the secure assembly of the door handles of the GUARD family. The door handles are subsequently referred to as “handle”.

Keep the manual available


These instructions form part of the handle.

- ▶ Keep these instructions with the handle.
- ▶ Ensure that the instructions are available to the installer/operator.
- ▶ You must pass on these instructions if you sell the handle or pass it on in any other way.

Text layout features

Various elements in this manual have specific design features. This enables you to distinguish easily between the following elements:

Normal text

- Listing - first level
 - Listing - second level
- ▶ Working steps
-  Tips contain additional information for installation and operation.

Directions

Directions used in these instructions are with a direction of view towards the reading field of the electronic handle:

- The battery compartment is “at the top”
- The side on which the handle is fitted to the door is the “rear”, the side with the cover is the “front”.
- “Outside” is the outside of the door to which the electronic handle is normally fitted.
- “Inside” is the inside of the door.

All other directions can be derived from these.



Mutually applicable documents

The following types of documents in particular are applicable:

- Assembly and operating instructions from third-party suppliers such as the manufacturer of the lock or the door
 - Declarations of conformity or incorporation
 - Instructions about device functions, conditions and signalling
 - Programming instructions for the programming medium used
- Observe and follow the information from the applicable documents.

Warranty and liability

Our general terms and conditions do in principle apply. Warranty claims and liability claims in the event of personal injury or material damage are always ruled out if they can be traced back to one or more of the following causes:

- Inappropriate use of the handle
- Failure to heed the information in these instructions
- Incorrect assembly
- Repairs which are carried out incorrectly
- Disaster situations due to outside influences and force majeure

Copyright

This documentation may not be reproduced either in whole or in part, stored or transmitted, disclosed or translated in any form or by any means without the prior written consent of DOM Sicherheitstechnik GmbH & Co. KG.

This documentation is updated at regular intervals. The publisher is always grateful to receive information about any errors or suggestions regarding this documentation.

© DOM Sicherheitstechnik GmbH & Co. KG, Wesselinger Strasse 10–16,
50321 Brühl, Germany

Documentation Officer

DOM Sicherheitstechnik GmbH & Co. KG
Abteilung Produktmanagement
Wesselinger Straße 10–16
D-50321 Brühl



Manufacturer's address

DOM Sicherheitstechnik GmbH & Co. KG

Wesselingener Straße 10–16

D-50321 Brühl

Telephone: +49 (0) 2232 7040

Telefax: +49 (0) 2232 704 375

Email: dom@dom-group.eu

Internet: www.dom-security.com

Information available online

You can download these instructions and other information about the GUARD family on the product details page at the following Internet address:

www.dom-security.com



Safety

Intended use

The GUARD family door handles are used for access control in buildings. The system is based on RFID technology (radio-frequency identification). The door handles can also be used on escape and rescue doors in accordance with DIN EN 179 and DIN EN 1125.

Reading and understanding these instructions plus observing and following all information in these instructions, particularly the safety instructions, all form part of appropriate use. Any other form of use is deemed to be inappropriate and will lead to forfeiture of warranty and liability claims.

Use in areas where there is a risk of explosion in particular is deemed to be inappropriate.

Ambient conditions

Ensure that the handles are only used under the following ambient conditions:

- Temperature range: -25 °C to $+65\text{ °C}$
- Air humidity: 20% to 99% (non-condensing)

Fundamental safety information

The handles are built in line with the current state of technology and the recognised safety rules. Working with and on the handles does nevertheless involve residual risks which could cause a danger to life and limb. It is therefore essential that the safety instructions below are observed and followed.

Avoid risks of explosion

The handles are not suitable for areas where there is a risk of explosion. Installing and operating the handles in an area where there is a risk of explosion can lead to serious injuries or death.

- ▶ Only install and operate the handles in areas where there is no explosive atmosphere.

Risk of injury by swallowing small parts

Children can become injured after swallowing small parts.

- ▶ Make sure that small parts e.g. locking media or screws are kept out of the reach of children.

Risk of injury when drilling holes or screwing

Risk of damage to eyes as a result of drilling dust or chips flying around.

- ▶ Wear safety glasses.
- ▶ Use a device to extract the drilling dust or chips.

Danger of injury to fingers or hands due to slipping during drilling.

- ▶ Wear suitable safety gloves.
- ▶ Observe and follow the instructions in the documents for the drill.

Danger of injury to fingers or hands due to slipping during screwing.

- ▶ Wear suitable safety gloves.

Danger of injury when shortening the spindle

Danger of injury to eyes and hands when shortening the spindle.

An incorrectly clamped spindle which slips can result in injury. Metal splinters due to incorrect shortening of the spindle can result in eye injuries.

- ▶ Wear safety glasses and safety gloves.
- ▶ Ensure that the spindle to be shortened is correctly attached in the clamping device.
- ▶ Shorten the spindle in the proper way.

Danger of injury while attaching

Danger of injury to the hands on edges of the assembly profile or the lock.

The hands can be injured due to slipping when screwing the components or touching sharp edges.

- ▶ Wear suitable safety gloves.



Avoid property damage and functional problems

Material damage due to incorrect storage over a long period possible.

- ▶ Store the handle and its components in the original packaging in a dry, dust-free location.

Material damage due to inappropriate assembly and operation of the handle.

- ▶ Read these instructions through carefully prior to assembly and commissioning of the handle.
- ▶ Follow the instructions step by step.
- ▶ Never touch the electronic components of the handle.
- ▶ Protect the parts of the handle against damp.
- ▶ Prevent the formation of scratches on the handle through careful handling.
- ▶ Attach the screws with the torque indicated.

Material damage due to inappropriate removal of the handle.

- ▶ Read these instructions through carefully prior to removal of the handle.
- ▶ Follow the instructions step by step.
- ▶ Protect the door leaf with a cover before releasing the cover of the handle with a rosette lifter.
- ▶ Never touch the electronic components of the handle.
- ▶ Prevent the formation of scratches on the handle through careful handling.
- ▶ Protect the parts of the handle against damp.

Loss of date and time possible following a battery change.

The loss of date and time can hamper/block the correct application of authorisations with schedules.

- ▶ Check whether the date and time are still correct with the corresponding programming medium following a battery change.
- ▶ Correct the date and time if necessary.

Damage to the electronic components of the handle due to contact possible.

- ▶ Never touch the electronic components of the handle.
- ▶ Touch an earthed metal object such as a radiator or a tap for discharging an electrostatic charge.

Reduced range or malfunction of the reading field possible due to metal objects in the vicinity of the reading field.

- ▶ Ensure that no metal objects are located in the immediate vicinity of the reading field.

Malfunction due to the interaction of two reading fields.

If the distance is too short, an authorised closing device may be delayed or remain undetected.

- ▶ Fit the handles next to one another with at least 50 cm lateral distance from one to the next.

Malfunction due to the presence of external systems.

External systems can emit interfering fields or interfering signals. This can result in an authorised closing device being delayed or not detected at all and programmes for the device can be disturbed.

- ▶ Ensure that external systems do not affect the function of the handle.

Material damage possible due to incorrect maintenance or cleaning.

- ▶ Do not lubricate any parts of the handle.
- ▶ Clean the housings and closing devices with a lightly wetted soft cloth without using any cleaning agent.



Qualification of the staff

People who undertake work with and on the handles must have basic technical abilities so that they can effect screw connections and drill holes if necessary.

People who put the handles into operation must understand their way of working and the interaction of the individual components.



Layout features of warning notes

⚠ WARNING	
	<p>Notices with the word WARNING warn of a hazardous situation which can possibly lead to death or serious injuries.</p>
⚠ CAUTION	
	<p>Notices with the word CAUTION warn of a situation which can lead to light or moderate injuries.</p>

Layout features of notes indicating property damage

<i>ATTENTION!</i>	
	<p>These instructions warn about a situation which could lead to material damage or malfunctions.</p>

Description

Characteristics and function of the handles

The GUARD family is made up of handles with wide plates (Wideline) or narrow plates (Slimline). The handles may consist of long plates, short plates with cylinder rosette or a lever handle rosette with cylinder rosette.

Combinations of handles with or without reading field are possible.

Handles with a reading field are labelled as “digital” handles. Handles without a reading field are labelled as “mechanical” handles.


The handles of the GUARD family can be supplied in the following variants:

		Slimline	Slimline Compact	Wideline	Wideline Compact
digital handles	reading on one side	X	X	X	X
	reading on both sides	X	–	X	–
mechanical handles and rosettes		X	X	X	X

The covering of the reading fields can be supplied in the following three colours

- white
- grey
- black

The assembly of the handles remains the same regardless of the colour of the cover.

- 
 GUARD Slimline rosettes replace conventional oval rosettes.
 GUARD Wideline rosettes replace conventional round rosettes.

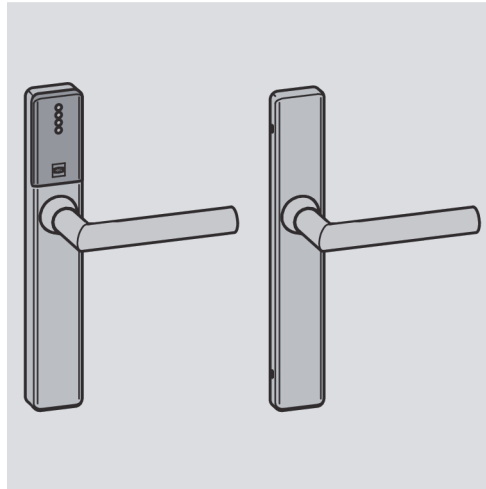
You can combine the handles of the GUARD family with third-party products. Individual handles can also be supplied in addition to the handle sets for this purpose.

GUARD Slimline set reading on one side

Handles with a reading field on one side control access from outside. Only people with a corresponding authorised transponder can activate the outer lever handle and open the door from outside.

The door can be opened from the purely mechanical side with the lever handle without special authorisation.

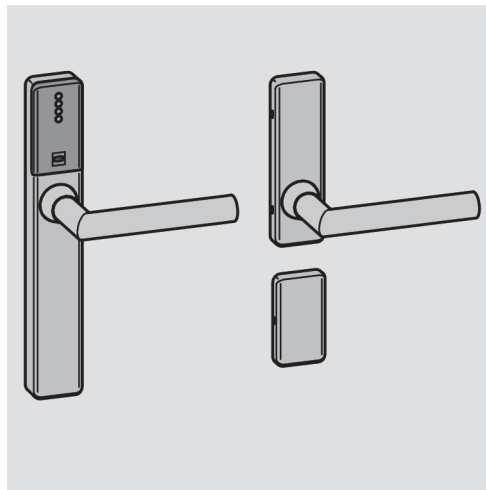
The handles are also available with a cylinder hole for the additional use of a locking cylinder.

**GUARD Slimline set reading on one side with short plate and rosette**

Handles with a reading field on one side control access from outside. Only people with a corresponding authorised transponder can activate the outer lever handle and open the door from outside.

The door can be opened from the purely mechanical side with the lever handle without special authorisation.

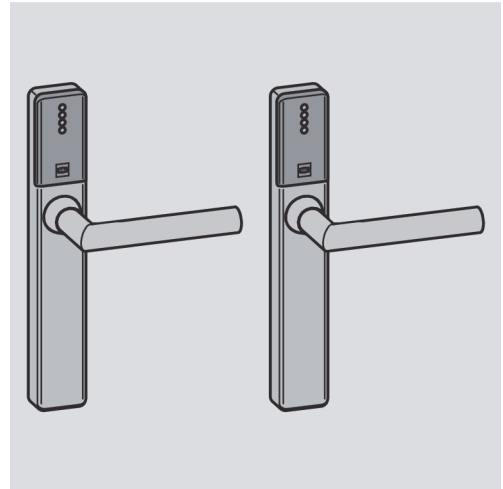
The handles are also available with a cylinder hole for the additional use of a locking cylinder.



GUARD Slimline set reading on both sides

Handles with a reading field on both sides control access from both sides. Only people with a corresponding authorised transponder can activate the lever handle and open the door from the respective side.

The handles are also available with a cylinder hole for the additional use of a locking cylinder.

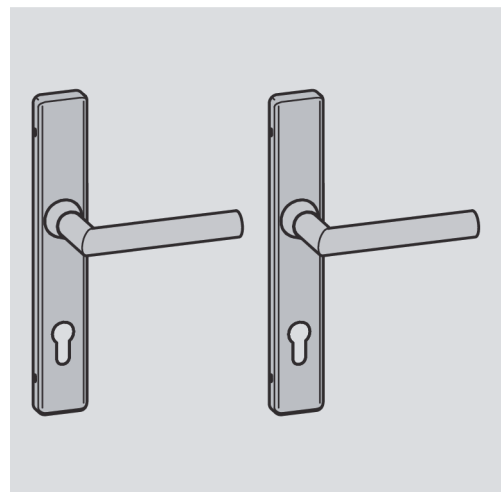


Mechanical GUARD Slimline set

For handles without a reading field the access authorisation can be controlled just with a locking cylinder.

The door can be opened with the lever handle if the locking cylinder is unlocked.

The mechanical handles and rosettes are also available for a cylinder without a hole. The door can always be opened with the lever handle in this case.



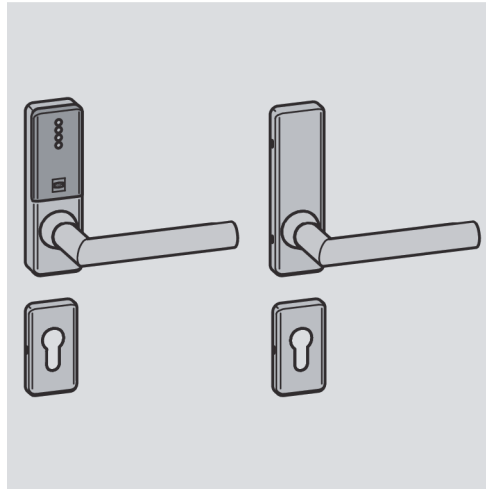
GUARD Compact Slimline

Handles with a reading field on one side control access from outside.

Only people with a corresponding authorised transponder can activate the outer lever handle and open the door from outside.

The door can be opened from the purely mechanical side with the lever handle without special authorisation.

Handles with a separate cylinder rosette enable the covering of the locking cylinder hole and locking of the door with a locking cylinder which is present.

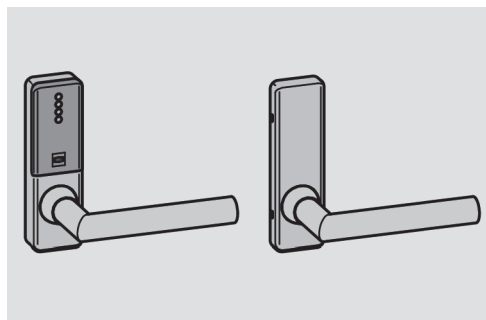


GUARD Compact Slimline without rosettes

Handles with a reading field on one side control access from outside.

Only people with a corresponding authorised transponder can activate the outer lever handle and open the door from outside.

The door can be opened from the purely mechanical side with the lever handle without special authorisation.

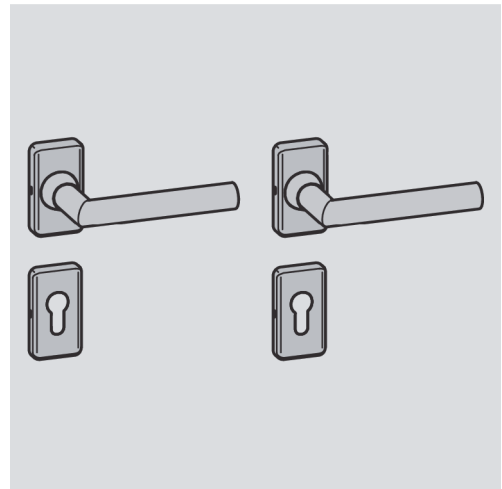


Mechanical GUARD Slimline rosette set

For handles without a reading field the access authorisation can be controlled just with a locking cylinder.

The door can be opened with the lever handle if the locking cylinder is unlocked.

This handle is also available without a hole for a cylinder. The door can always be opened with the lever handle in this case.

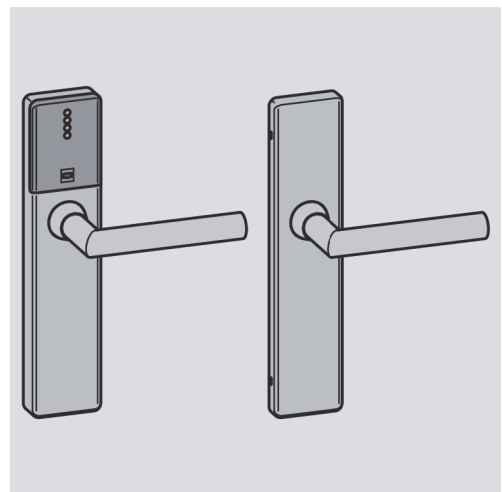


GUARD Wideline set reading on one side

Handles with a reading field on one side control access from outside. Only people with a corresponding authorised transponder can activate the outer lever handle and open the door from outside.

The door can be opened from the purely mechanical side with the lever handle without special authorisation.

The handles are also available with a cylinder hole for the additional use of a locking cylinder.

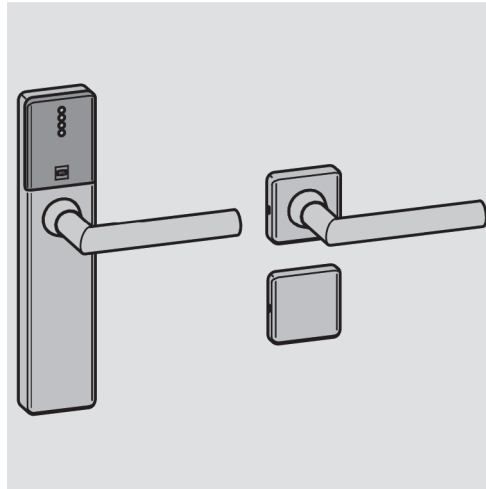


GUARD Wideline set reading on one side with rosettes

Handles with a reading field on one side control access from outside. Only people with a corresponding authorised transponder can activate the outer lever handle and open the door from outside.

The door can be opened from the purely mechanical side with the lever handle without special authorisation.

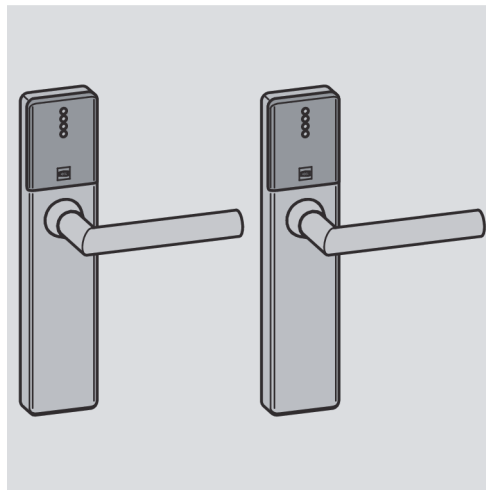
The handles are also available with a cylinder hole for the additional use of a locking cylinder.



GUARD Wideline set reading on both sides

Handles with a reading field on both sides control access from both sides. Only people with a corresponding authorised transponder can activate the lever handle and open the door from the respective side.

The handles are also available with a cylinder hole for the additional use of a locking cylinder.

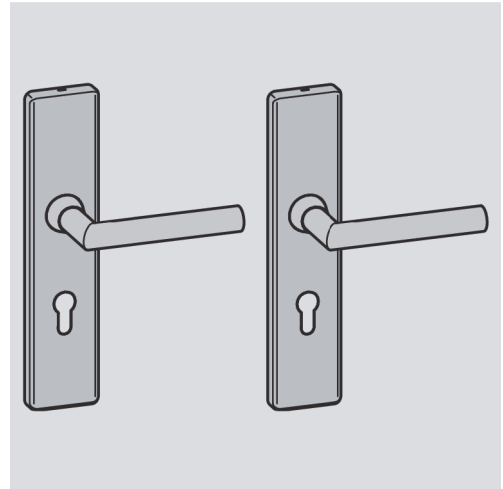


Mechanical GUARD Wideline set

For handles without a reading field the access authorisation can be controlled just with a locking cylinder.

The door can be opened with the lever handle if the locking cylinder is unlocked.

The mechanical handles and rosettes are also available for a cylinder without a hole. The door can always be opened with the lever handle in this case.

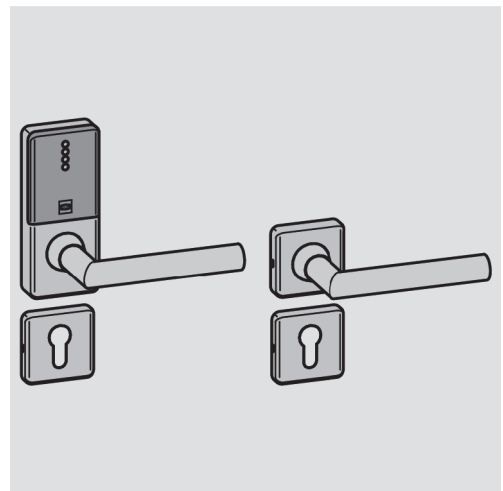


GUARD Compact Wideline set reading on one side

Handles with a reading field on one side control access from outside. Only people with a corresponding authorised transponder can activate the outer lever handle and open the door from outside.

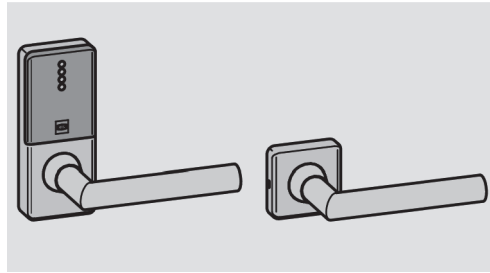
The door can be opened from the purely mechanical side with the lever handle without special authorisation.

Handles with a separate cylinder rosette enable the covering of the locking cylinder hole and locking of the door with a locking cylinder which is present.



GUARD Wideline Compact without rosettes

Handles with a reading field on one side control access from outside. Only people with a corresponding authorised transponder can activate the outer lever handle and open the door from outside.

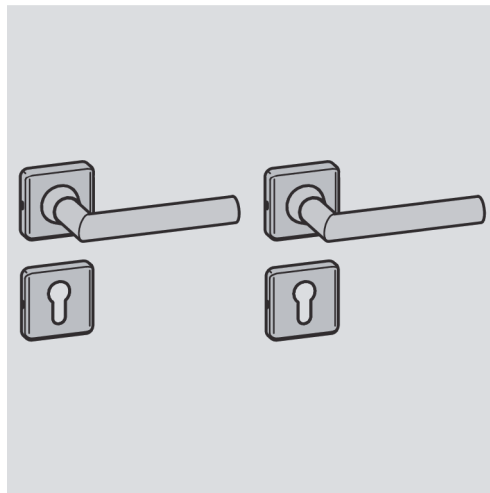


The door can be opened from the purely mechanical side with the lever handle without special authorisation.

GUARD Wideline rosette set

For handles without a reading field the access authorisation can be controlled just with a locking cylinder.

The door can be opened with the lever handle if the locking cylinder is unlocked.




The mechanical handles and rosettes are also available for a cylinder without a hole. The door can always be opened with the lever handle in this case.

Overview of the lever handles

The lever handles are available in the following shapes

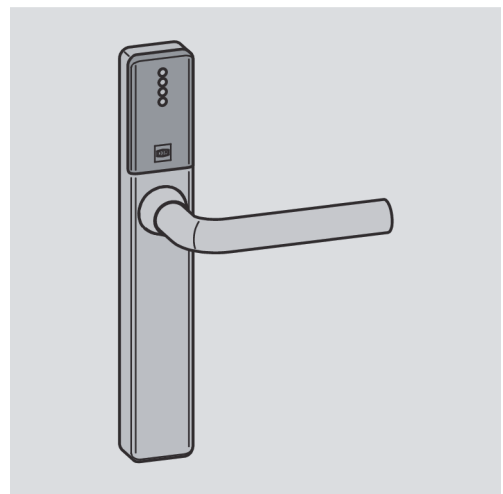
- L-shaped
- U-shaped
- offset

All lever handle shapes can be supplied either bent or with a mitre.

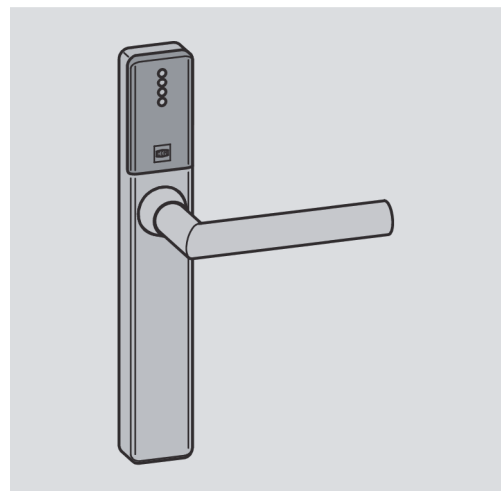
-  Handles with L-shaped lever handles with mitre are presented in these instructions. If other lever handle shapes are presented, this is expressly pointed out.

Handle L-shaped, bent

L-shaped lever handles are presented in these instructions.



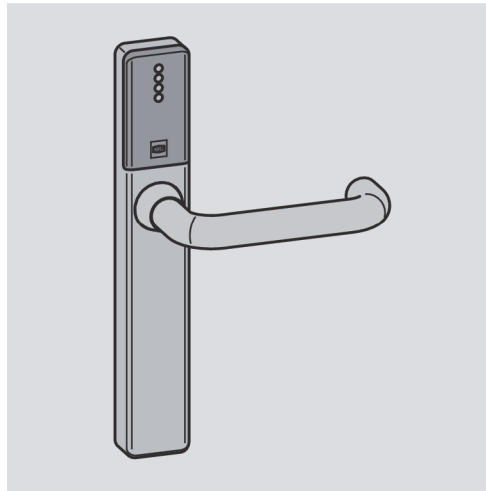
Handle L-shaped, mitre



Handle U-shaped, bent

This lever handle shape is prescribed for escape and rescue routes in accordance with DIN EN 179 and DIN EN 1125 .

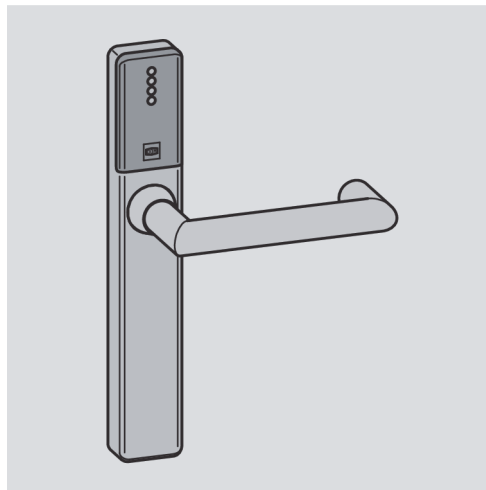
U-shaped lever handles prevent getting caught with a sleeve for example.



Lever handle U-shaped, mitre

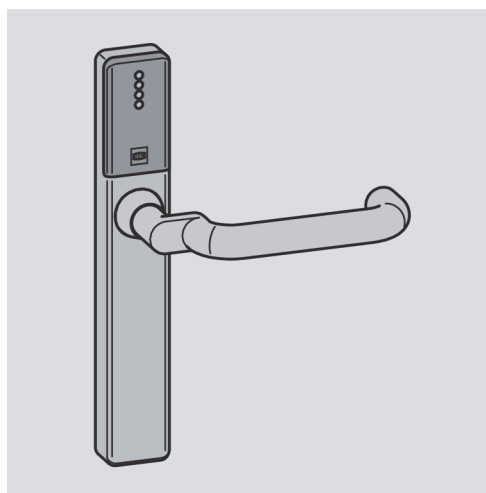
This lever handle shape is prescribed for escape and rescue routes in accordance with DIN EN 179 and DIN EN 1125 .

U-shaped lever handles prevent getting caught with a sleeve for example.



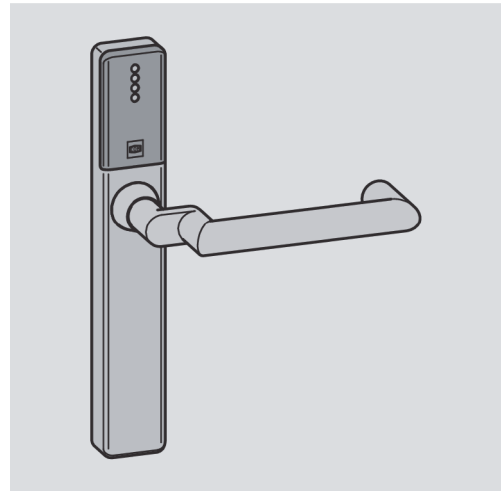
Lever handle offset, bent

Offset lever handles prevent the lever handle coming into contact with the frame and injuries due to crushing in this area on tubular frame doors with a low backset.

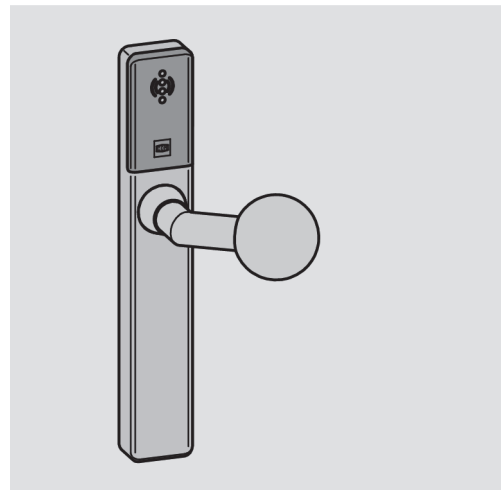


Lever handle offset, mitre

Offset lever handles prevent the lever handle coming into contact with the frame and injuries due to crushing in this area on tubular frame doors with a low backset.

**Spherical lever handle, mitre**

The spherical lever handle is available as an external lever handle in combination with one of the other six lever handles on the inside. The spherical lever handle is particularly suitable for locations which are affected by vandalism.





Task and function

Task

The GUARD family handles are used for access control in buildings. The access control is based on RFID technology (radio-frequency identification). Only transponders with the corresponding authorisation (authorised transponders) enable the door to be opened for a time and period which can be set.

For handles with a reading field on one side, it is always possible to open the door from the purely mechanical side.

The handles can also be supplied as purely mechanical ones. With the mechanical variants access is cleared via the lever handle in a conventional way.

The handles are splash proof in line with IP54.

In line with the declaration of conformity and certificates for the handle in combination with the door lock and the panic bar where appropriate in accordance with DIN EN 179 and DIN EN 1125 the handles are suitable as closures for emergency exits and escape and rescue routes.

The declaration of conformity of DOM Sicherheitstechnik GmbH & Co.KG or the corresponding lock/panic bar manufacturer must be checked prior to assembly of the handle of the corresponding lock or panic bar where appropriate.

The handles are suitable for sheet steel fire doors, tubular frames and wood of the fire protection classifications T39, T60 and T90 (in preparation).

The handles can be supplied for doors with the following characteristics:

- Door leaf thickness from 36 to 116 mm (in eight stages)
- Cylinder hole: Clearances of 55 mm to 94 mm for different cylinder profiles
- Right and left hand doors
- Wood, metal, plastic and glass doors

Function

The lever handle on handles with a reading field is only released if a transponder with corresponding authorisation (authorised transponder) is held to the reading field. The data transfer (RFID) between the transponder and the reading field occurs inductively via a coil which is present in the reading field and the transponder. Only one of the devices (reading field or transponder) has to have a power supply to guarantee function. In GUARD family products this power supply is in the battery of the electronic handle.

The lever handle is connected with the lock via the spindle through a three-part coupling. The outer half of the coupling is connected to the outer lever handle. The inner half of the coupling is connected to the spindle hub and the inner lever handle via the spindle. The halves of the coupling are connected if an authorised transponder is held to the reading field. The door can be opened with the outer lever handle in this way.

Following completion of the set coupling time (opening time) both halves of the coupling are separated from one another again. It is necessary to hold an authorised transponder to the reading field once again to open the door.

You can adapt the system to different requirements with the different variants of the GUARD handles:

- Slimline handles replace narrow handles which are present with a width up to 40 mm and screwing points above one another.
Slimline handles are particularly suitable for use on tubular frame doors.
Slimline rosettes are suitable for the renovation of oval rosettes.
- Wideline handles replace handles which are present with a width up to 56 mm and screwing points above one another. Compact Wideline handles replace existing round rosettes.
Wideline handles are particularly suitable for the renovation of doors with damage and differences in colour due to old handles and round rosettes.
Wideline rosettes are suitable for the renovation of round rosettes.

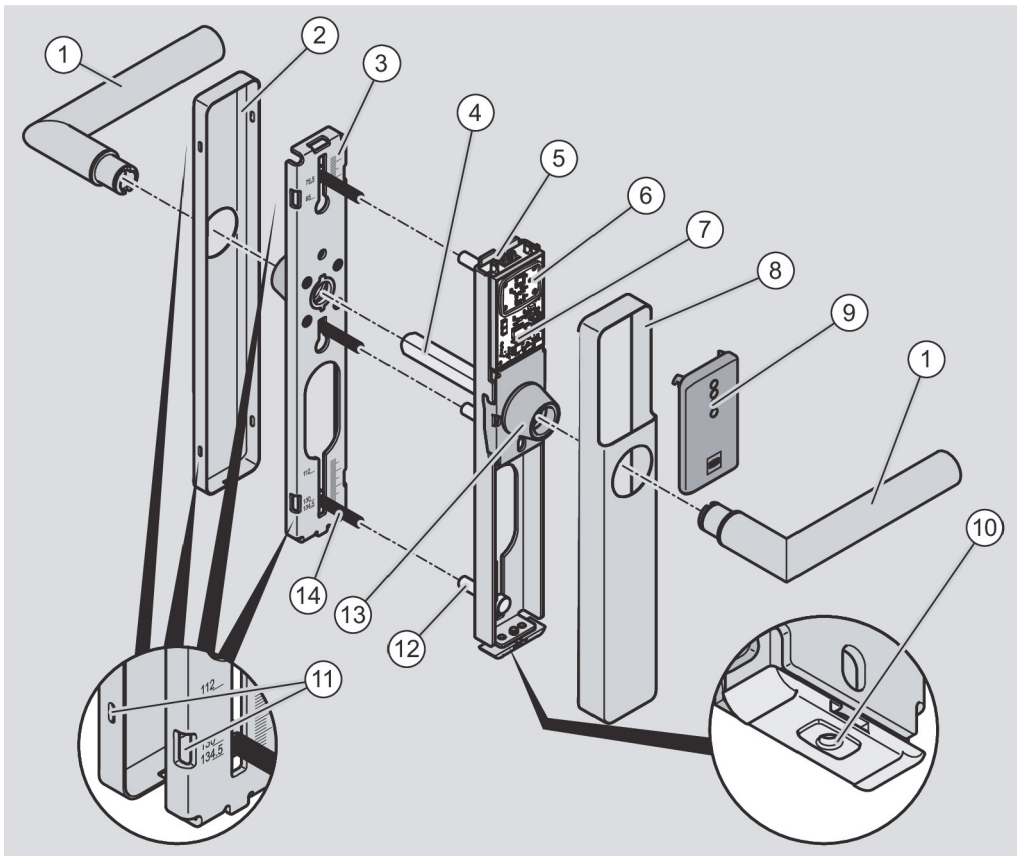
Overview of the most important components of the handles

Overviews of the most important components of the individual variants of the GUARD family are described in the next section.

Long plate handles reading on one side

The most important components of long plate handles with reading field are presented in the diagram below.

The Slimline and Wideline handles only differ in the width of the covers.



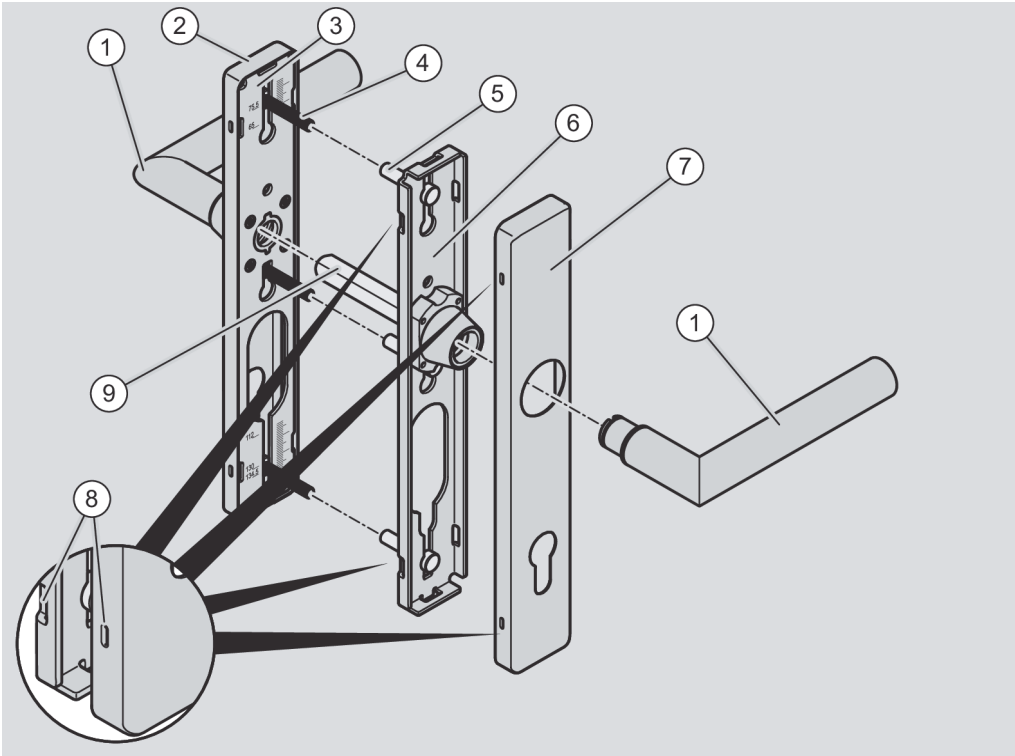


No.	Name
1	Lever handle
2	Inner cover (long plate without reading field)
3	Assembly profile inner long plate
4	Spindle
5	Battery compartment
6	RFID reading field
7	Assembly profile for outer long plate, with electronic circuit, reading field and LED display
8	Outer cover (long plate with reading field)
9	Plastic cover for reading field
10	Cover closure of the electronic handle
11	Locking points for securing the cover of the mechanical handle
12	Threaded bush
13	Lever handle bearing
14	Long screw

Components of mechanical long plate handle sets

The most important components of the mechanical long plate handle set are presented in the diagram below.

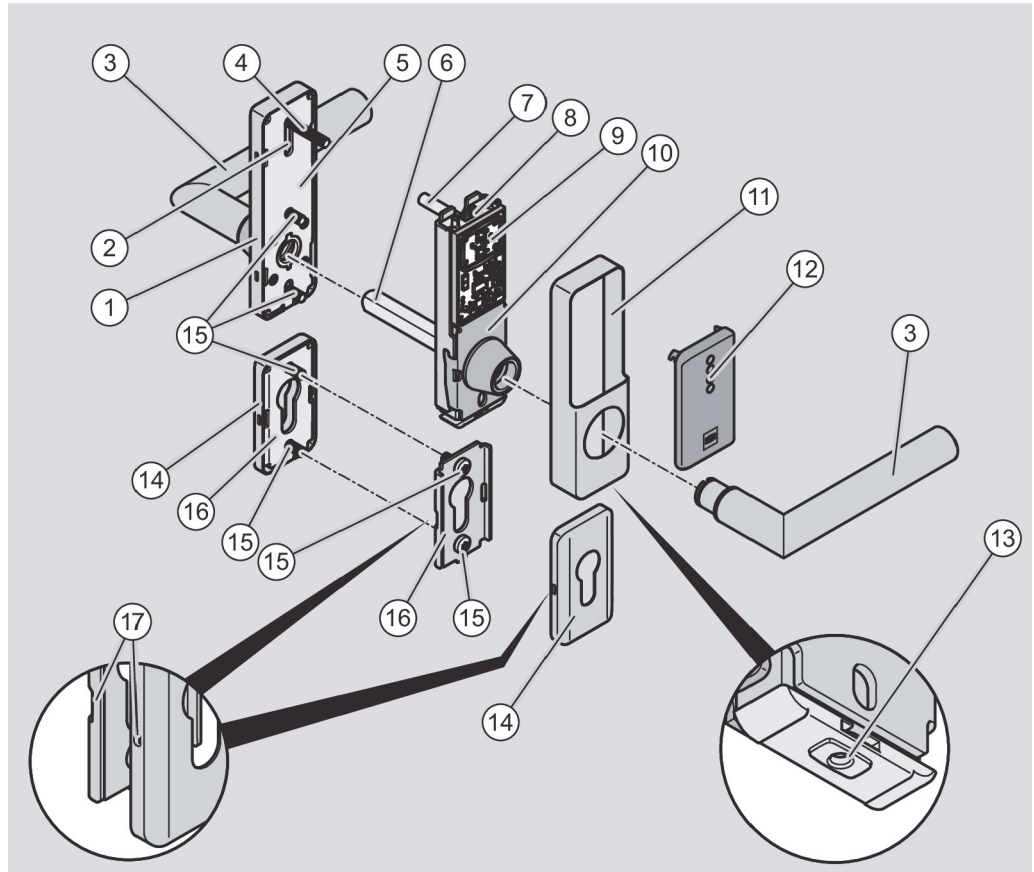
The Slimline and Wideline handles only differ in the width of the covers.



No.	Name
1	Lever handle
2	Cover (long plate without reading field)
3	Assembly profile inner long plate
4	Long screw
5	Threaded bush
6	Assembly profile outer long plate
7	Cover (long plate without reading field)
8	Clip for attaching the cover
9	Spindle

Components of the Compact Slimline set

The most important components of Slimline Compact handles with short plate with reading field and cylinder rosette are presented in the diagram below.



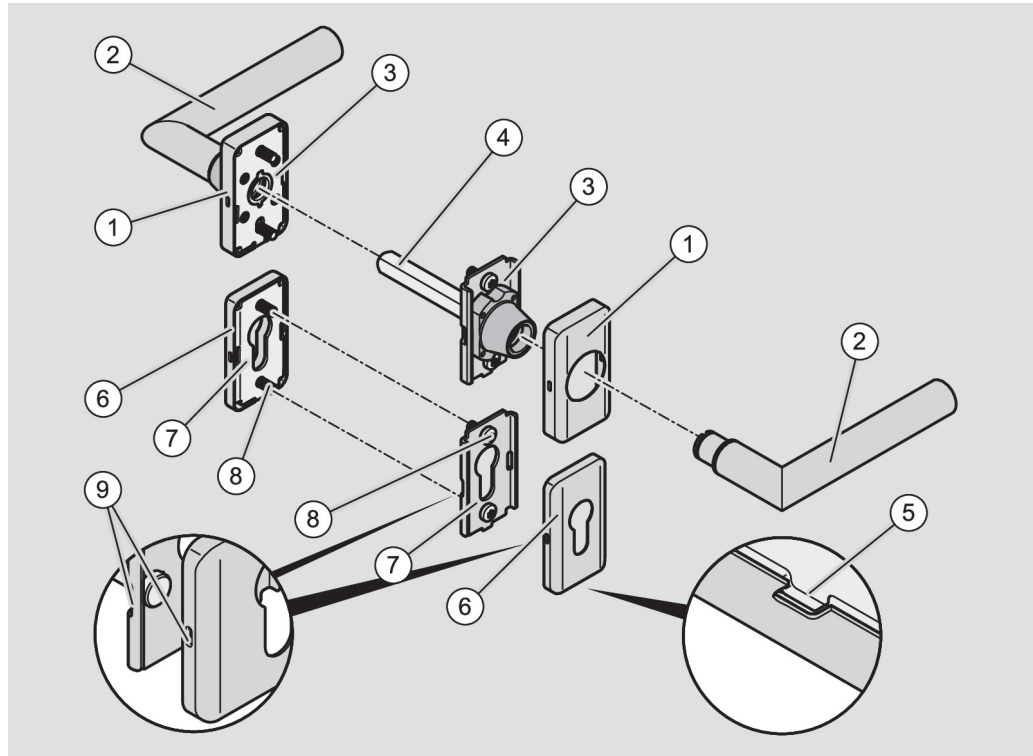


Description

No.	Name
1	Inner cover (short plate without reading field)
2	Guide slot for long screw
3	Lever handle
4	Long screw
5	Assembly profile for short plate inside
6	Spindle
7	Threaded bush
8	Battery compartment
9	RFID reading field
10	Assembly profile for outer short plate, with electronic circuit, reading field and LED display
11	Outer cover (short plate with reading field)
12	Plastic cover for reading field
13	Cover closure of the electronic handle
14	Cover for cylinder rosette inside and outside
15	Screw for screwing on the assembly profiles
16	Assembly profile for cylinder rosette inside and outside
17	Cover closure of the mechanical handle

Components of the Slimline rosette set

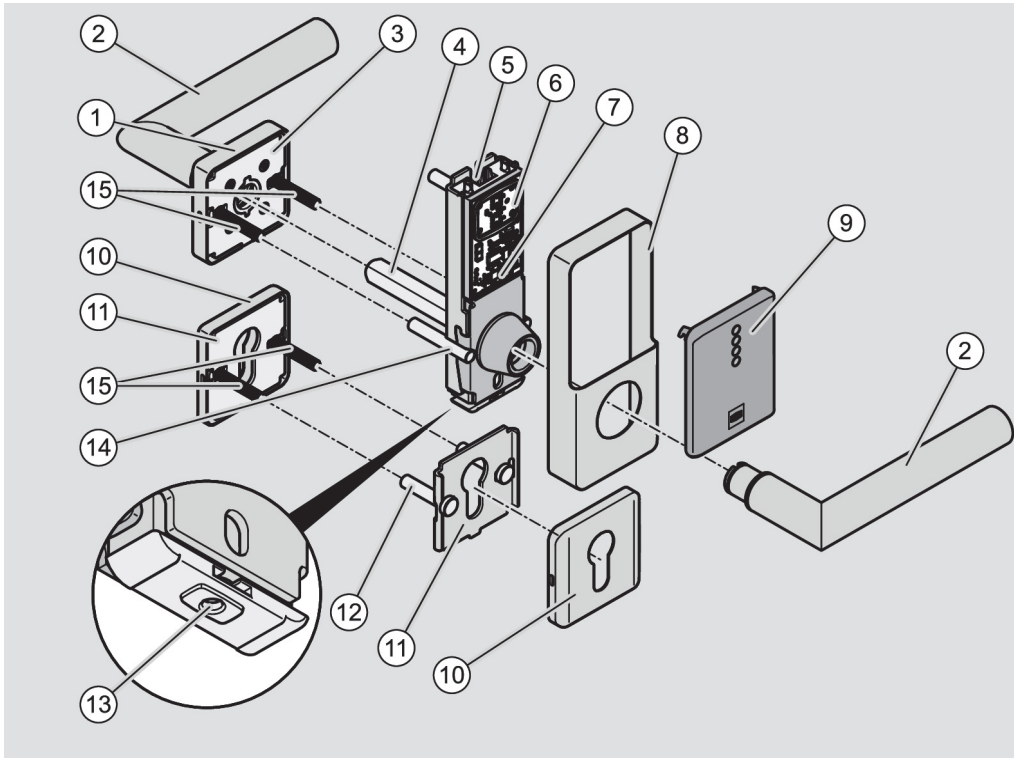
The most important components of the Slimline rosette set are presented in the diagram below.



No.	Name
1	Cover for lever handle rosette inside and outside
2	Lever handle
3	Assembly profile lever handle rosettes
4	Spindle
5	Gripping point for rosette lifter
6	Cover for cylinder rosette inside and outside
7	Assembly profile for cylinder rosette inside and outside
8	Screws for screwing on the assembly profiles
9	Locking points for securing the cover of the mechanical handle

Compact Wideline set reading on one side

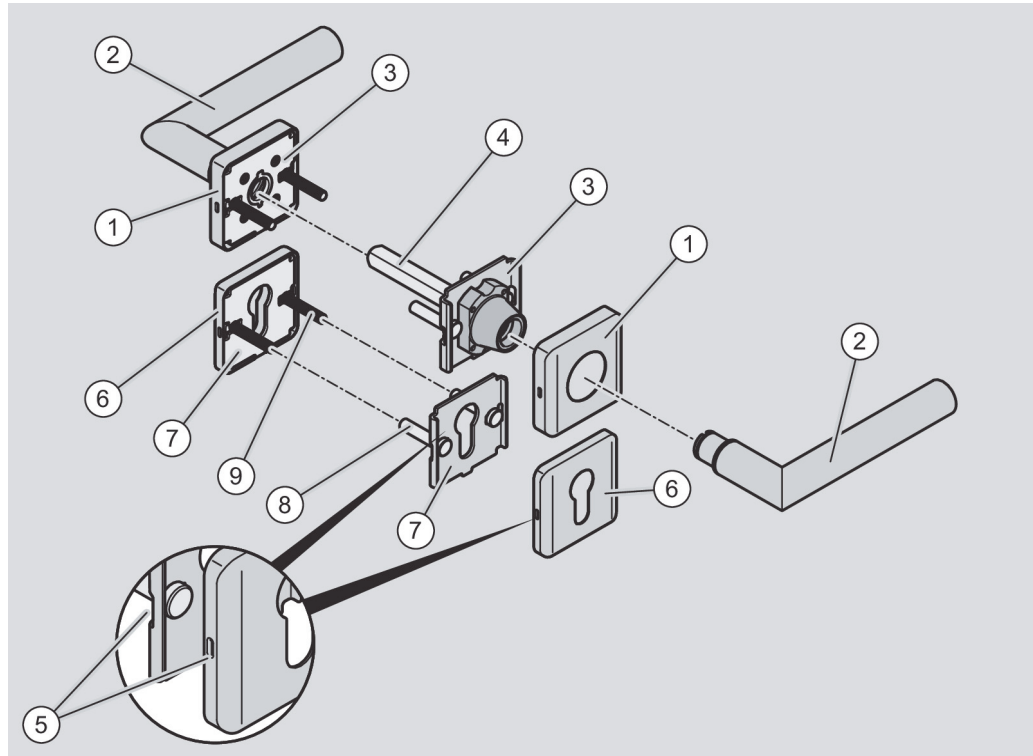
The most important components of Wideline Compact handles with cylinder rosette are presented in the diagram below.



No.	Name
1	Cover lever handle rosette inside
2	Lever handle
3	Assembly profile lever handle rosette inside
4	Spindle
5	Battery compartment
6	RFID reading field
7	Assembly profile for outer short plate, with electronic circuit, reading field and LED display
8	Cover (short plate with reading field)
9	Plastic cover for reading field
10	Cover for cylinder rosette inside and outside
11	Assembly profile for cylinder rosette inside and outside
12	Head sleeves (both sides)
13	Cover closure outside
14	Catch sleeves (both sides)
15	Long screws

Components of the Wideline rosette set

The most important components of the Wideline rosette set are presented in the diagram below.

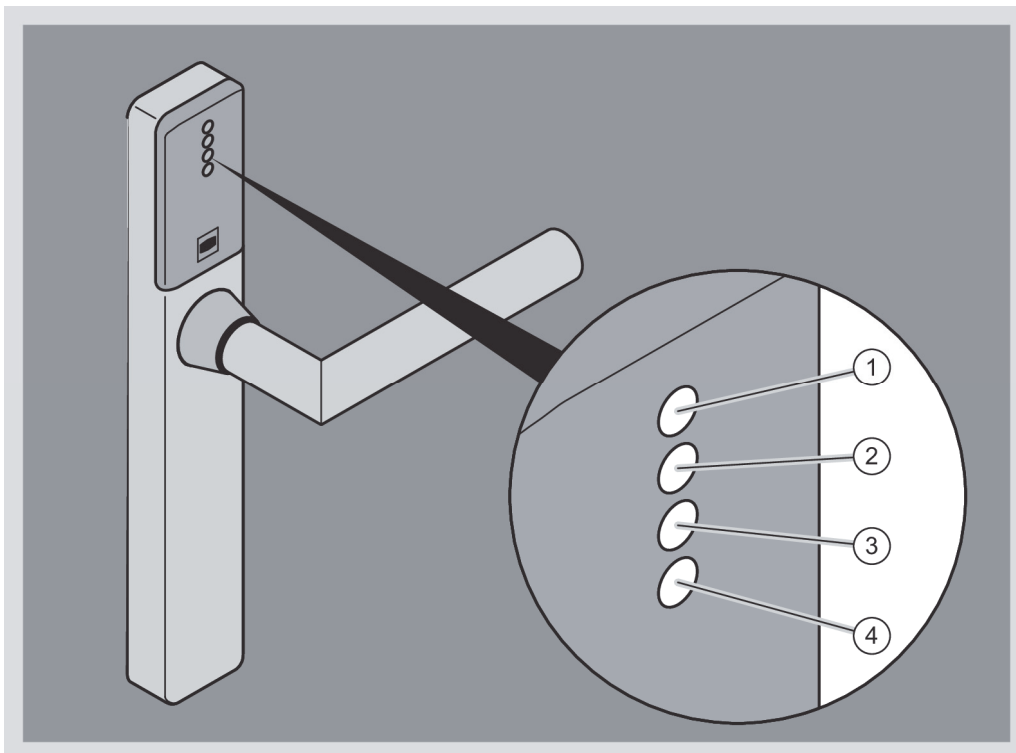


No.	Name
1	Cover for lever handle rosette inside and outside
2	Lever handle
3	Assembly profile for lever handle rosette inside and outside
4	Spindle
5	Clip on cover for cover closure
6	Cover for cylinder rosette inside and outside
7	Assembly profile for cylinder rosette inside and outside
8	Threaded bush
9	Long screw

LED displays on the reading field

Four LEDs (1, 2, 3, 4) are placed above one another on the reading field of each handle. The LEDs can light up in different colours individually, in turn or simultaneously. This is how the LEDs signal authorisations, operating states and errors. An acoustic signal can also be issued.

You can find instructions for the signals and the corresponding device states in the separate instructions “Device functions, states and signalling”.



The following colours are possible:

- Green
- Yellow
- Red
- Blue
- White
- Magenta
- Cyan

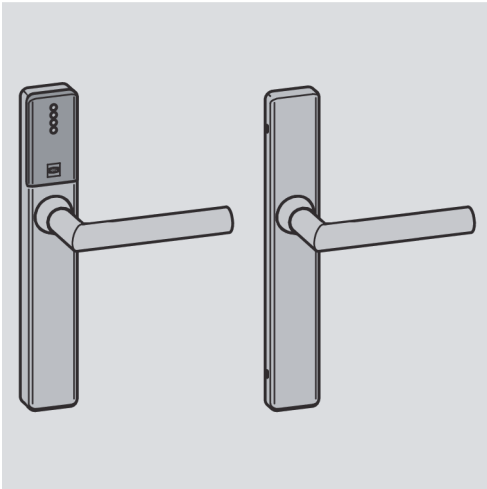


Scope of supply

The scope of supply depends on the device type and the properties of the door and the lock which were stated in your order.

- i** The scope of supply of the sets for assembly on both sides is shown in the section which follows.
You can also order parts for assembly on one side. In this way you can replace the handle which is present with a DOM product on just one side of the door. Parts for assembly on one side must be screwed onto the door leaf if necessary.
- i** If screwing all the way through is not desirable, short screws must be used as an alternative to long screws with threaded bushes. With the short screws you can screw the handle onto door leaves without having to drill all the way through the door leaf. You can obtain suitable short screws via specialist retailers. The material and thickness of the door leaf must be taken into account.

GUARD Slimline set reading on one side



- Long plate Slimline cover outside
- Long plate Slimline cover inside
- Assembly profile for cover outside with electronic circuit
- Assembly profile for long plate inside without electronic circuit with lever handle
- Outer lever handle with lever handle attachment screw (M5 x 50)
- Spindle of suitable length
- adapter sleeves where necessary (see page 53)
- 2 lithium batteries, 1.5 V, AAA (inserted in battery compartment on delivery)
- Attachment material:
 - 3 threaded bushes (head sleeves)
 - 4 long screws (M5 x 30 to M5 x 90, depending on door leaf thickness in order)
 - 8 short screws (M5 x 12)

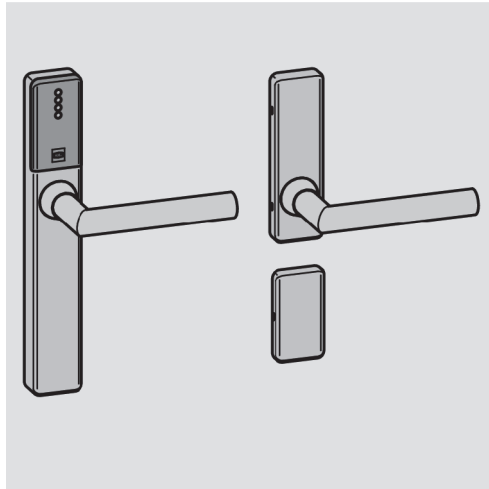
i The short screws which are supplied are only suitable for metal doors with pre-cut M5 threads. You can obtain suitable screws for doors made of different material via specialist retailers.

The screws must be of the same length as the screws supplied and the heads must be uniform. The head of the short screw must be wider than the drill hole (5.5 mm). It may have a maximum diameter of 9.8 mm and a maximum height of 4 mm.

➤ Consult a specialist retailer for advice about suitable short screws for your door.

i You can pre-drill the screwing points in order to guarantee safe screwing.

GUARD Slimline set reading on one side with short plate and rosette



- Long plate Slimline cover outside
- Assembly profile for cover outside with electronic circuit
- Cover cylinder rosette Slimline
- Assembly profile for cylinder rosette Slimline
- Mechanical short plate Slimline inside
- Assembly profile for mechanical short plate Slimline with lever handle
- Outer lever handle with lever handle attachment screw (M5 x 50)
- Spindle of suitable length
- adapter sleeves where necessary (see page 53)
- 2 lithium batteries, 1.5 V, AAA (inserted in battery compartment on delivery)
- Attachment material:
 - 3 threaded bushes (head sleeves)
 - 4 long screws (M5 x 30 to M5 x 90, depending on door leaf thickness in order)
 - 8 short screws (M5 x 12)

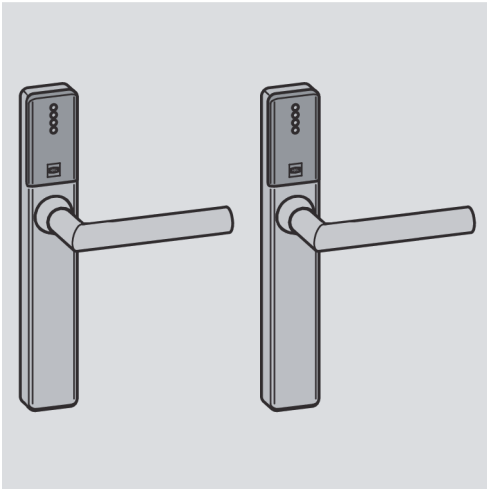
i The short screws which are supplied are only suitable for metal doors with pre-cut M5 threads. You can obtain suitable screws for doors made of different material via specialist retailers.

The screws must be of the same length as the screws supplied and the heads must be uniform. The head of the short screw must be wider than the drill hole (5.5 mm). It may have a maximum diameter of 9.8 mm and a maximum height of 4 mm.

➤ Consult a specialist retailer for advice about suitable short screws for your door.

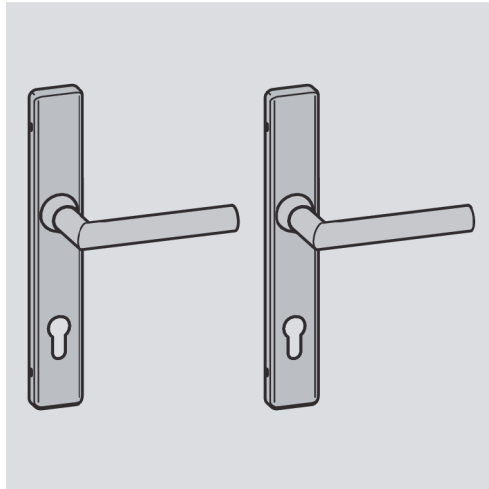
i You can pre-drill the screwing points in order to guarantee safe screwing.

GUARD Slimline set reading on both sides



- 2 long plate Slimline covers outside
 - 2 assembly profiles for cover outside with electronic circuit
 - 2 lever handles with lever handle attachment screw (M5 x 50)
 - Spindle of suitable length
 - adapter sleeves where necessary (see page 53)
 - 4 lithium batteries, 1.5 V, AAA
 - Attachment material:
 - 3 threaded bushes (head sleeves)
 - 4 long screws (M5 x 30 to M5 x 90, depending on door leaf thickness in order)
 - 8 short screws (M5 x 12)
- i** The short screws which are supplied are only suitable for metal doors with pre-cut M5 threads. You can obtain suitable screws for doors made of different material via specialist retailers.
The screws must be of the same length as the screws supplied and the heads must be uniform. The head of the short screw must be wider than the drill hole (5.5 mm). It may have a maximum diameter of 9.8 mm and a maximum height of 4 mm.
- Consult a specialist retailer for advice about suitable short screws for your door.
- i** You can pre-drill the screwing points in order to guarantee safe screwing.

Mechanical GUARD Slimline set

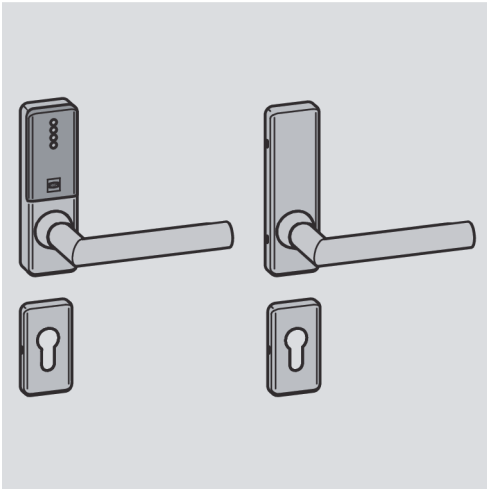


- 2 covers long plate Slimline mechanical
- 2 assembly profiles for long plate without electronic circuit with lever handle
- Spindle of suitable length
- adapter sleeves where necessary (see page 53)
- Attachment material:
 - 3 threaded bushes (head sleeves)
 - 4 long screws (M5 x 30 to M5 x 90, depending on door leaf thickness in order)
 - 8 short screws (M5 x 12)
- ❗ The short screws which are supplied are only suitable for metal doors with pre-cut M5 threads. You can obtain suitable screws for doors made of different material via specialist retailers.

The screws must be of the same length as the screws supplied and the heads must be uniform. The head of the short screw must be wider than the drill hole (5.5 mm). It may have a maximum diameter of 9.8 mm and a maximum height of 4 mm.

➤ Consult a specialist retailer for advice about suitable short screws for your door.
- ❗ You can pre-drill the screwing points in order to guarantee safe screwing.

GUARD Compact Slimline

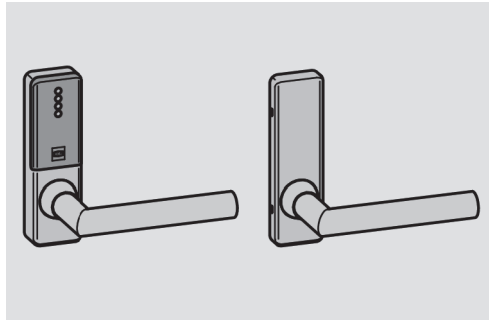


- Slimline Compact cover outside
- Slimline Compact cover inside
- Assembly profile for cover outside with electronic circuit
- Assembly profile for cover inside without electronic circuit with lever handle
- 2 covers cylinder rosette Slimline
- 2 assembly profiles cylinder rosette Slimline
- Outer lever handle with lever handle attachment screw (M5 x 50)
- Spindle of suitable length
- adapter sleeves where necessary (see page 53)
- 2 lithium batteries, 1.5 V, AAA (inserted in battery compartment on delivery)
- Attachment material:
 - 3 threaded bushes (head sleeves)
 - 4 long screws (M5 x 30 to M5 x 90, depending on door leaf thickness in order)
 - 8 short screws (M5 x 12)
- i** The short screws which are supplied are only suitable for metal doors with pre-cut M5 threads. You can obtain suitable screws for doors made of different material via specialist retailers.

The screws must be of the same length as the screws supplied and the heads must be uniform. The head of the short screw must be wider than the drill hole (5.5 mm). It may have a maximum diameter of 9.8 mm and a maximum height of 4 mm.

➤ Consult a specialist retailer for advice about suitable short screws for your door.
- i** You can pre-drill the screwing points in order to guarantee safe screwing.

GUARD Compact Slimline without rosettes



- Slimline Compact cover outside
- Slimline Compact cover inside
- Assembly profile for cover outside with electronic circuit
- Assembly profile for cover inside without electronic circuit with lever handle
- Outer lever handle with lever handle attachment screw (M5 x 50)
- Spindle of suitable length
- adapter sleeves where necessary (see page 53)
- 2 lithium batteries, 1.5 V, AAA (inserted in battery compartment on delivery)
- Attachment material:
 - 3 threaded bushes (head sleeves)
 - 4 long screws (M5 x 30 to M5 x 90, depending on door leaf thickness in order)
 - 8 short screws (M5 x 12)

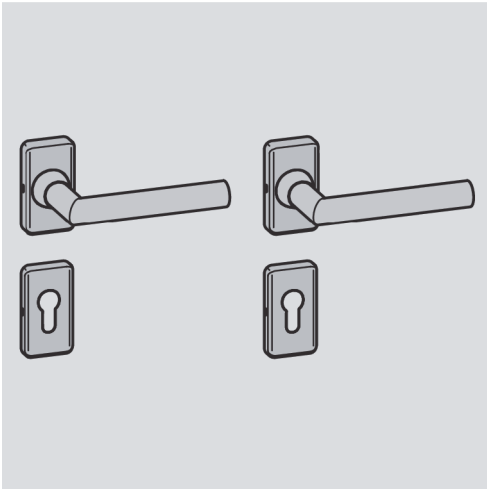
i The short screws which are supplied are only suitable for metal doors with pre-cut M5 threads. You can obtain suitable screws for doors made of different material via specialist retailers.

The screws must be of the same length as the screws supplied and the heads must be uniform. The head of the short screw must be wider than the drill hole (5.5 mm). It may have a maximum diameter of 9.8 mm and a maximum height of 4 mm.

➤ Consult a specialist retailer for advice about suitable short screws for your door.

i You can pre-drill the screwing points in order to guarantee safe screwing.

Mechanical GUARD Slimline rosette set



- 2 covers lever handle rosettes Slimline
- 2 assembly profiles for lever handle rosettes Slimline with lever handle
- 2 covers cylinder rosettes Slimline
- 2 assembly profiles for cylinder rosettes Slimline
- Spindle of suitable length
- adapter sleeves where necessary (see page 53)
- Attachment material:
 - 8 short screws (M5 x 12)

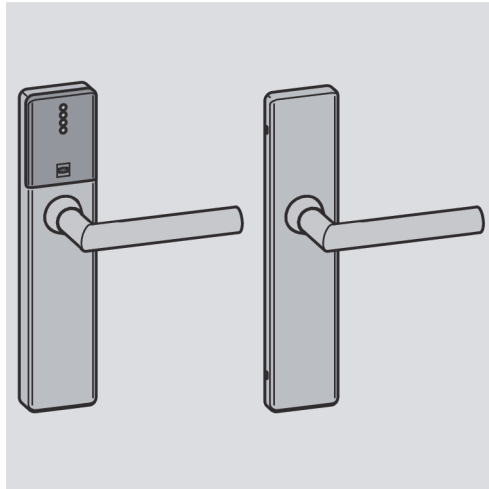
i The short screws which are supplied are only suitable for metal doors with pre-cut M5 threads. You can obtain suitable screws for doors made of different material via specialist retailers.

The screws must be of the same length as the screws supplied and the heads must be uniform. The head of the short screw must be wider than the drill hole (5.5 mm). It may have a maximum diameter of 9.8 mm and a maximum height of 4 mm.

➤ Consult a specialist retailer for advice about suitable short screws for your door.

i You can pre-drill the screwing points in order to guarantee safe screwing.

GUARD Wideline set reading on one side



- Long plate Wideline cover outside
- Long plate Wideline cover inside
- Assembly profile long plate outside with electronic circuit
- Assembly profile for long plate inside without electronic circuit with lever handle
- Outer lever handle with lever handle attachment screw (M5 x 50)
- Spindle of suitable length
- adapter sleeves where necessary (see page 53)
- 2 lithium batteries, 1.5 V, AAA (inserted in battery compartment on delivery)
- Attachment material:
 - 3 threaded bushes (head sleeves)
 - 4 long screws (M5 x 30 to M5 x 90, depending on door leaf thickness in order)
 - 8 short screws (M5 x 12)

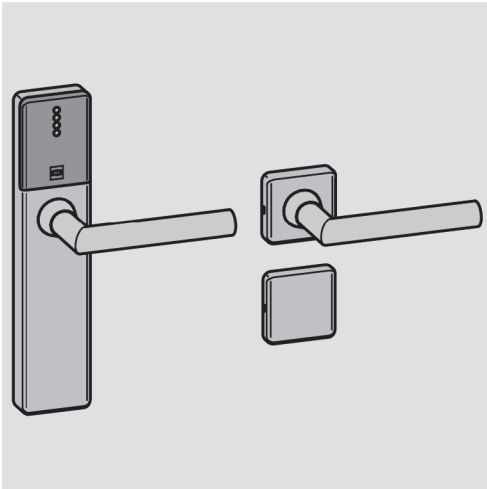
i The short screws which are supplied are only suitable for metal doors with pre-cut M5 threads. You can obtain suitable screws for doors made of different material via specialist retailers.

The screws must be of the same length as the screws supplied and the heads must be uniform. The head of the short screw must be wider than the drill hole (5.5 mm). It may have a maximum diameter of 9.8 mm and a maximum height of 4 mm.

➤ Consult a specialist retailer for advice about suitable short screws for your door.

i You can pre-drill the screwing points in order to guarantee safe screwing.

GUARD Wideline set reading on one side with rosettes



- Long plate Wideline cover outside
- Assembly profile long plate outside with electronic circuit
- Cover cylinder rosette Wideline
- Assembly profile cylinder rosette Wideline
- Cover lever handle rosette Wideline
- Assembly profile lever handle rosette Wideline with lever handle
- Outer lever handle with lever handle attachment screw (M5 x 50)
- Spindle of suitable length
- adapter sleeves where necessary (see page 53)
- 2 lithium batteries, 1.5 V, AAA (inserted in battery compartment on delivery)
- Attachment material:
 - 4 threaded bushes (catch sleeves)
 - 4 long screws (M5 x 30 to M5 x 90, depending on door leaf thickness in order)
 - 8 short screws (M5 x 12)

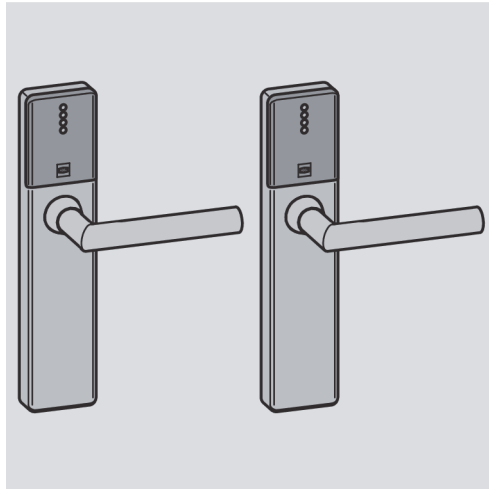
i The short screws which are supplied are only suitable for metal doors with pre-cut M5 threads. You can obtain suitable screws for doors made of different material via specialist retailers.



The screws must be of the same length as the screws supplied and the heads must be uniform. The head of the short screw must be wider than the drill hole (5.5 mm). It may have a maximum diameter of 9.8 mm and a maximum height of 4 mm.

➤ Consult a specialist retailer for advice about suitable short screws for your door.

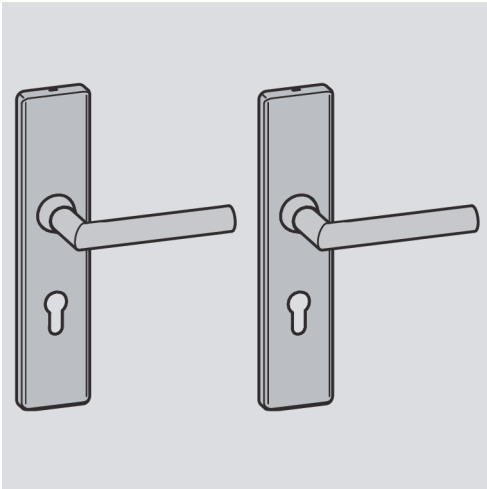
i You can pre-drill the screwing points in order to guarantee safe screwing.

GUARD Wideline set reading on both sides



- 2 long plate Wideline covers outside
 - 2 assembly profiles for cover outside with electronic circuit
 - 2 lever handles with lever handle attachment screw (M5 x 50)
 - Spindle of suitable length
 - adapter sleeves where necessary (see page 53)
 - 4 lithium batteries, 1.5 V, AAA
 - Attachment material:
 - 3 threaded bushes (head sleeves)
 - 4 long screws (M5 x 30 to M5 x 90, depending on door leaf thickness in order)
 - 8 short screws (M5 x 12)
-  The short screws which are supplied are only suitable for metal doors with pre-cut M5 threads. You can obtain suitable screws for doors made of different material via specialist retailers.
 The screws must be of the same length as the screws supplied and the heads must be uniform. The head of the short screw must be wider than the drill hole (5.5 mm). It may have a maximum diameter of 9.8 mm and a maximum height of 4 mm.
- Consult a specialist retailer for advice about suitable short screws for your door.
-  You can pre-drill the screwing points in order to guarantee safe screwing.

Mechanical GUARD Wideline set



- 2 long plates Wideline cover without reading field
- 2 assembly profiles for long plate without electronic circuit with lever handle
- Spindle of suitable length
- adapter sleeves where necessary (see page 53)
- Attachment material:
 - 3 threaded bushes (head sleeves)
 - 4 long screws (M5 x 30 to M5 x 90, depending on door leaf thickness in order)
 - 8 short screws (M5 x 12)

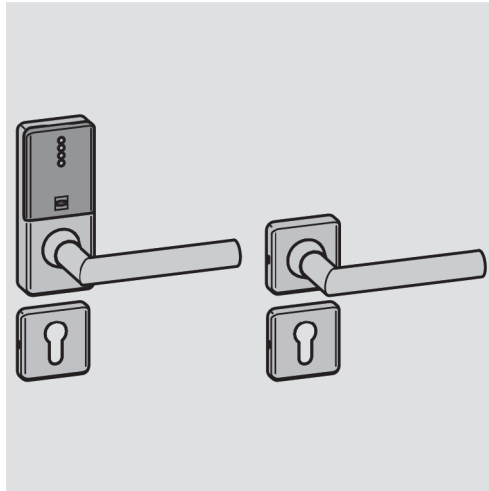
i The short screws which are supplied are only suitable for metal doors with pre-cut M5 threads. You can obtain suitable screws for doors made of different material via specialist retailers.

The screws must be of the same length as the screws supplied and the heads must be uniform. The head of the short screw must be wider than the drill hole (5.5 mm). It may have a maximum diameter of 9.8 mm and a maximum height of 4 mm.

➤ Consult a specialist retailer for advice about suitable short screws for your door.

i You can pre-drill the screwing points in order to guarantee safe screwing.

GUARD Compact Wideline set reading on one side



- Cover Wideline Compact outside
- Assembly profile Wideline Compact with electronic circuit
- Lever handle rosette Wideline inside
- Assembly profile lever handle rosette Wideline inside without electronic circuit with lever handle
- 2 covers cylinder rosette Wideline
- 2 assembly profiles cylinder rosette Wideline
- Outer lever handle with lever handle attachment screw (M5 x 50)
- Spindle of suitable length
- adapter sleeves where necessary (see page 53)
- 2 lithium batteries, 1.5 V, AAA (inserted in battery compartment on delivery)
- Attachment material:
 - 2 threaded bushes (catch sleeves)
 - 3 threaded bushes (head sleeves)
 - 4 long screws (M5 x 30 to M5 x 90, depending on door leaf thickness in order)
 - 8 short screws (M5 x 12)

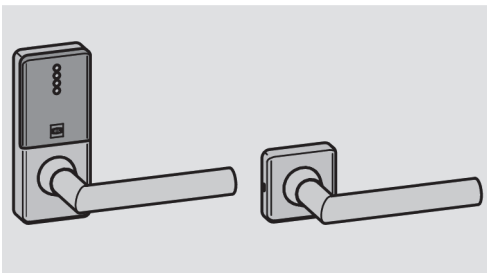
i The short screws which are supplied are only suitable for metal doors with pre-cut M5 threads. You can obtain suitable screws for doors made of different material via specialist retailers.

The screws must be of the same length as the screws supplied and the heads must be uniform. The head of the short screw must be wider than the drill hole (5.5 mm). It may have a maximum diameter of 9.8 mm and a maximum height of 4 mm.

➤ Consult a specialist retailer for advice about suitable short screws for your door.

i You can pre-drill the screwing points in order to guarantee safe screwing.

GUARD Wideline Compact without rosettes



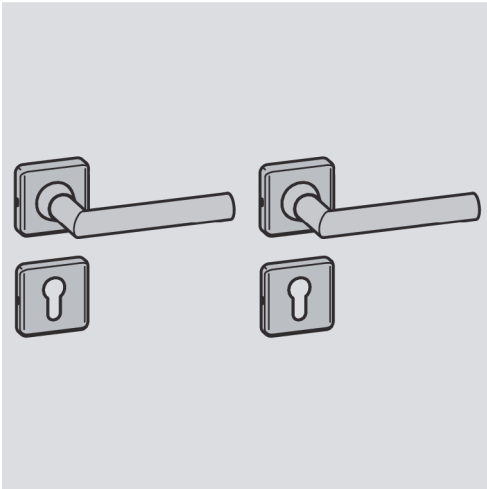
- Cover Wideline Compact outside
- Assembly profile Wideline Compact with electronic circuit
- Lever handle rosette Wideline inside
- Assembly profile lever handle rosette Wideline inside without electronic circuit with lever handle
- Outer lever handle with lever handle attachment screw (M5 x 50)
- Spindle of suitable length
- adapter sleeves where necessary (see page 53)
- 2 lithium batteries, 1.5 V, AAA (inserted in battery compartment on delivery)
- Attachment material:
 - 2 threaded bushes (catch sleeves)
 - 4 long screws (M5 x 30 to M5 x 90, depending on door leaf thickness in order)
 - 8 short screws (M5 x 12)



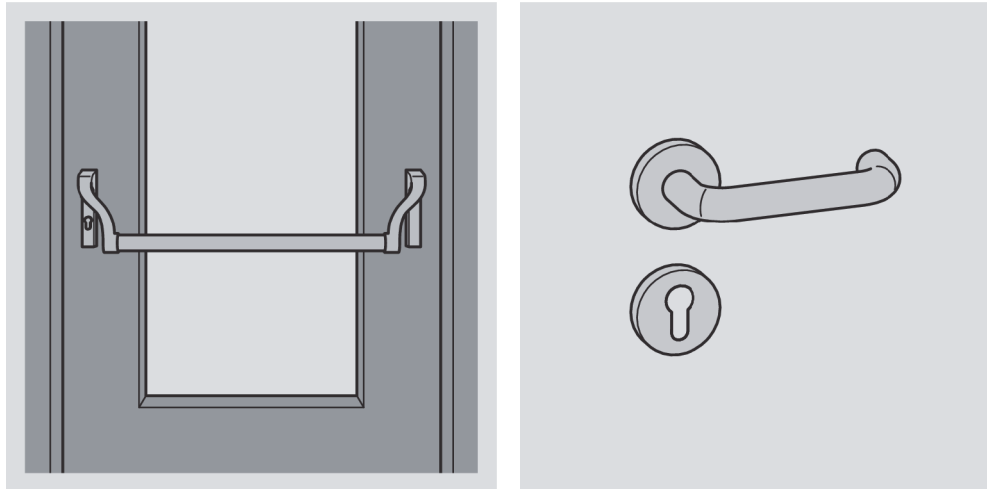
- ⓘ The short screws which are supplied are only suitable for metal doors with pre-cut M5 threads. You can obtain suitable screws for doors made of different material via specialist retailers.
The screws must be of the same length as the screws supplied and the heads must be uniform. The head of the short screw must be wider than the drill hole (5.5 mm). It may have a maximum diameter of 9.8 mm and a maximum height of 4 mm.

 - Consult a specialist retailer for advice about suitable short screws for your door.

- ⓘ You can pre-drill the screwing points in order to guarantee safe screwing.

GUARD Wideline rosette set

- 2 covers lever handle rosette Wideline
- 2 assembly profiles lever handle rosette Wideline without electronic circuit with lever handle
- 2 covers cylinder rosette Wideline
- 2 assembly profiles cylinder rosette Wideline
- Spindle of suitable length
- adapter sleeves where necessary (see page 53)
- Attachment material:
 - 6 threaded bushes (head sleeves)
 - 4 long screws (M5 x 30 to M5 x 90, depending on door leaf thickness in order)
 - 8 short screws (M5 x 12)

Combination GUARD with third-party handle

All outer and inner handles are also available individually so that the GUARD handle can also be used in combination with third-party products. Appropriate attachment material is supplied for outer handles on principle. Inner handles are on principle supplied without attachment material.



Available accessories

The following accessories are available:

- Assembly tool for attaching the catch sleeves to Wideline and Compact Wideline assembly profiles for rosette screwing points
- Adapter sleeves, set 7 mm to 9 mm
- Adapter sleeves, set 8 mm to 9 mm
- Adapter sleeves, set 8.5 mm to 9 mm
- Adapter sleeve, 9 mm to 10 mm
- Lithium batteries AAA, 1.5 V, 10 pack
- Manipulation protection for cylinder hole
- Covers
- Spindles of different lengths
- Long screws M5 x 30 to M5 x 90, depending on door leaf thickness in order
- Short screws M5 x 12
- Outside lever handle with attachment screw

The following accessories are available as options:

- Master card, programming card, RF wake-up card, RF online card, change of battery indication card, service maintenance card, permanently open card, permanently closed card in ISO cheque card format
- Transponders in various designs (tag, ISO card, clip tag, etc.)
- Tapkey app (DOM Tapkey family only)
- ENiQ app (ENiQ family only)
- 'ENiQ Access Management' or 'ELS software and/or ELSmobile software' for PC or laptop
- USB 868 MHz wireless stick
- USB BLE 2.4 GHz wireless stick
- PC desktop reader for reading and writing closing devices in software
- ENiQ EasyFlex Booklet (for the ENiQ family only)

Please refer to the current price list for other accessories.

Adapter sleeves

The standard spindle has 9 mm edge length. Adapter sleeves in three sizes are available for spindle hubs with a smaller edge length. With these adapter sleeves you adapt the supplied spindle with smaller edge length to the dimensions of the inside lever handle and the coupling nut of the electronic handle side.

- Adapter sleeves for spindle with edge length 7 mm
- Adapter sleeves for spindle with edge length 8 mm
- Adapter sleeves for spindle with edge length 8.5 mm

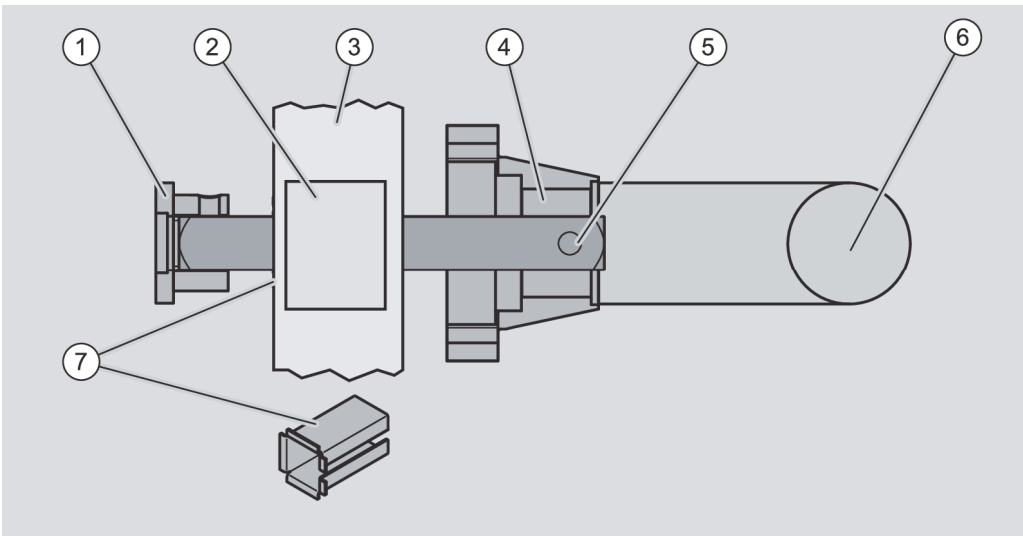
An adapter sleeve is available for spindle hubs with a greater edge length. With this adapter sleeve you adapt the dimension of the standard spindle to the spindle hub.

- Adapter sleeve for spindle with edge length 10 mm

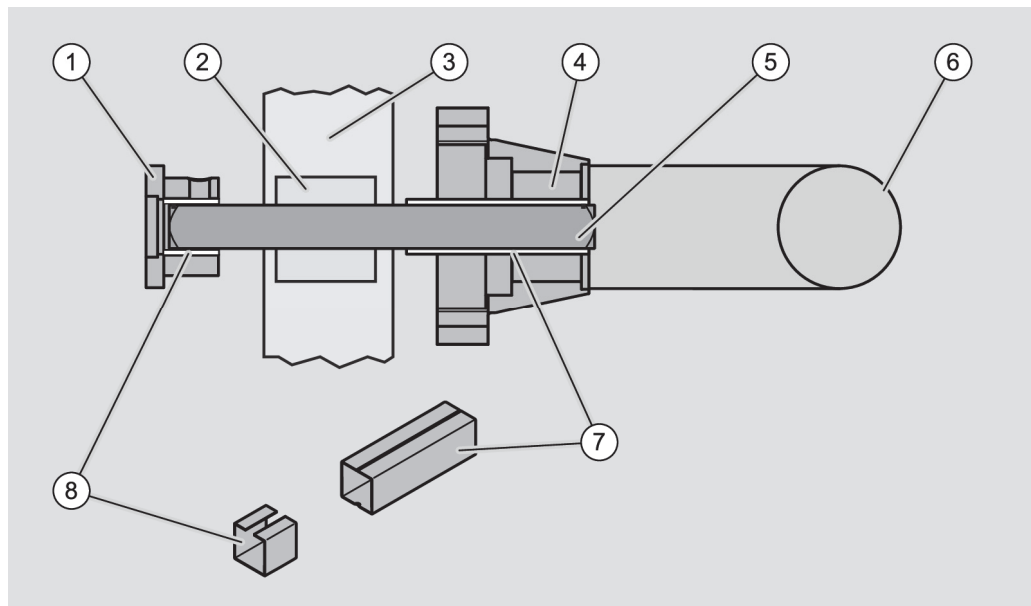
The adapter sleeves for 7, 8 and 8.5 mm hubs are pushed onto the spindle with a smaller diameter at both ends. They thus enable the connection of a thin spindle with the inner lever handle and the coupling nut of the handle. The adapter sleeve for 10 mm spindle hubs is pushed centrally onto the spindle. It thus enables the connection of the standard spindle (9 mm) with a spindle hub with 10 mm edge length.

The use of the adapter sleeve for the spindle hubs with edge length 10 mm is shown in the diagram which follows. The use of the adapter sleeves for the spindle with a smaller edge length is shown below this diagram.

Description



No.	Name
1	Coupling nut
2	Spindle hub
3	Door
4	Lever handle bearing inside
5	Spindle
6	Lever handle, inside
7	Adapter sleeve 9 mm to 10 mm



No.	Name
1	Coupling nut
2	Spindle hub
3	Door
4	Lever handle bearing inside
5	Spindle
6	Lever handle, inside
7	Adapter sleeve spindle to lever handle inside
8	Adapter sleeve spindle to coupling module of the electronic outer handle

Adapter plate for GUARD Compact Slimline

An adapter plate for GUARD Compact Slimline is available for the following case:

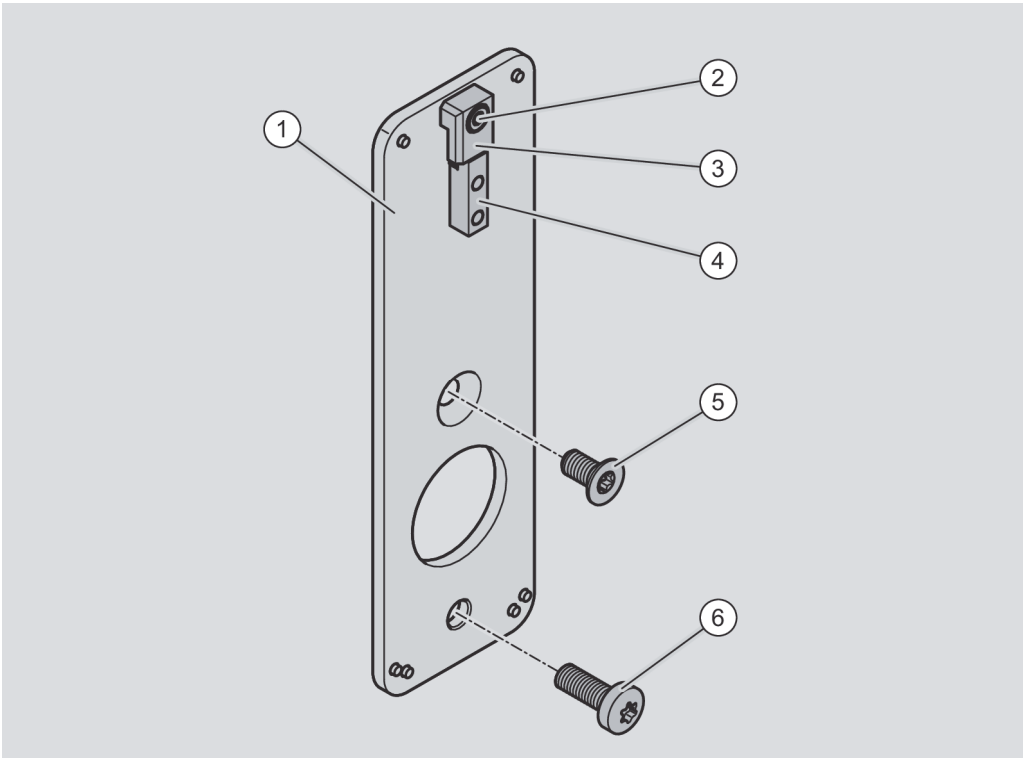
- the screw connection cannot, must not or should not be made through the door with the upper threaded bush
- the oval rosette screw connection can be used in the threaded holes (or the insertion thread) provided in the door

In this case, the adapter plate can be screwed onto the door leaf. The handle can then be securely screwed to the adapter plate.

The adapter plate is screwed to the door leaf at the two lower screw connection points. The lower screw connection point of the oval rosette screw connection is used to screw the adapter plate and handle together. The upper screw connection point of the oval rosette screw connection is used to screw down the adapter plate. The fixing slide is used as the handle's upper screw connection point.

Description

The handle is aligned on the adapter plate by six knurled pins pressed firmly into the adapter plate.



No.	Designation
1	Adapter plate
2	Fixing slide screw (cheese head screw)
3	Fixing slide
4	Counterholder
5	Countersunk screw (upper adapter plate screw)
6	Fillister head screw (lower adapter plate screw)



Batteries

Two AAA 1.5 V lithium batteries are required to supply power to the reading field. The service life of the batteries stated in the data sheets refers to the batteries supplied with the product. These can be supplied separately as accessories or they are available from specialist retailers.

Batteries of a different specification or from a different manufacturer may have a shorter service life. In this case DOM will not provide any guarantee for the battery life or the number of possible locking cycles.

Technical data

- ① The current technical instructions and product information can be found on the website at www.dom-security.com.



Storing handle





Please proceed as follows to store the handle prior to assembly or following use:

- ▶ Store the handle in the original packaging so that it is dry and free of dust.
- ▶ Store the handle and its electronic circuit in particular at least 15 cm away from metal objects, transponder and card coils.

Installation

The assembly of the handles varies for the different versions. You should in principle proceed as follows for assembly:

- Check all parts for completeness and flawless condition.
- Make sure that the tool required and additional material are in place.
- Prepare the door for assembly.
- Align the lever handle on the outside as desired and install it on the handle.
- Install the spindle and if necessary the adapter sleeve(s) in the handle for the outside.
- Install the handle on the outside of the door.
- Align the lever handle to the inside as desired and place it on the spindle.
- Install the handle on the inside against the handle on the outside of the door.
- Test the handle for flawless functioning.

 CAUTION	
	<p>Danger of injury to the fingers or hands on edges of the installation profile or the lock.</p> <p>▶ Wear suitable safety gloves.</p>
 CAUTION	
	<p>Risk of finger or hand injuries caused by slipping during drilling or screwing work.</p> <p>▶ Wear suitable safety gloves.</p> <p>▶ Observe and follow the notices provided in the drilling machine documentation when drilling.</p>

Preparing installation

- ▶ Remove the handle from the original packaging.
- ▶ Keep the original packaging for later use.

The original packaging will be necessary for storage at a later date or sending after use.

The scope of supply depends on the properties of the handle which was ordered, the door and the lock which were stated in your order.

- ▶ Check whether all components of the handle were supplied.
- ▶ Check whether all accessories ordered were supplied.
- ▶ Check all parts supplied for flawless condition.



Check the following points in particular:

- Does the spindle which was supplied have the correct dimensions for the lock and the door?
- Were the correct adapter sleeves supplied (type and dimensions)?
 - ▶ If parts are missing, damaged or supplied with incorrect measurements, contact the appropriate specialist retailer or the manufacturer.
 - ▶ Ensure that the door is correctly attached.
 - ▶ Ensure that the door is not warped.
 - ▶ Ensure that the door is not under strain.
 - ▶ Ensure that the door's construction type makes installation of the handle possible.
 - ▶ Ensure that the door has appropriate drill holes for attachment of the handle in line with the applicable standards where necessary.

Check the following points in particular:

- Are the holes at the attachment points present and sufficiently large?
- Have chippings which developed during drilling been removed properly?
- Was the hole in the lock calibrated properly with the hole in the door?
 - ▶ Make sure that all these points have been fulfilled, by carrying out extra work if necessary.
 - ▶ Make sure that the tool required and material are in place.

You will require the following tools:

- Allen key, 2 mm for horizontal alignment of the lever handle and for fixing the spindle in the coupling module
- TORX10 screwdriver, not angled, for removing the cover from the digital handle
- TORX25 screwdriver for screwing the lever handle and halves of the handle
- Rosette lifter for lifting the covers of the mechanical handle
- Assembly tool for installing in round rosette screwing points if necessary
- Clamping device and metal saw for shortening the spindle if necessary

You will require the following material for lifting mechanical covers or covers for rosettes:

- Protective cover for door (cardboard or film) for levering on the door with the rosette lifter

The tool and the material are not included in the scope of supply.

Align lever handle on the mechanical handle

ATTENTION!

Malfunction due to loss of components on removing the lever handle

The lever handle return spring can fall out when you release the attachment screws of the lever handle bearing of a mechanical GUARD handle. The seamless function of the lever handle is only guaranteed with the lever handle return spring.

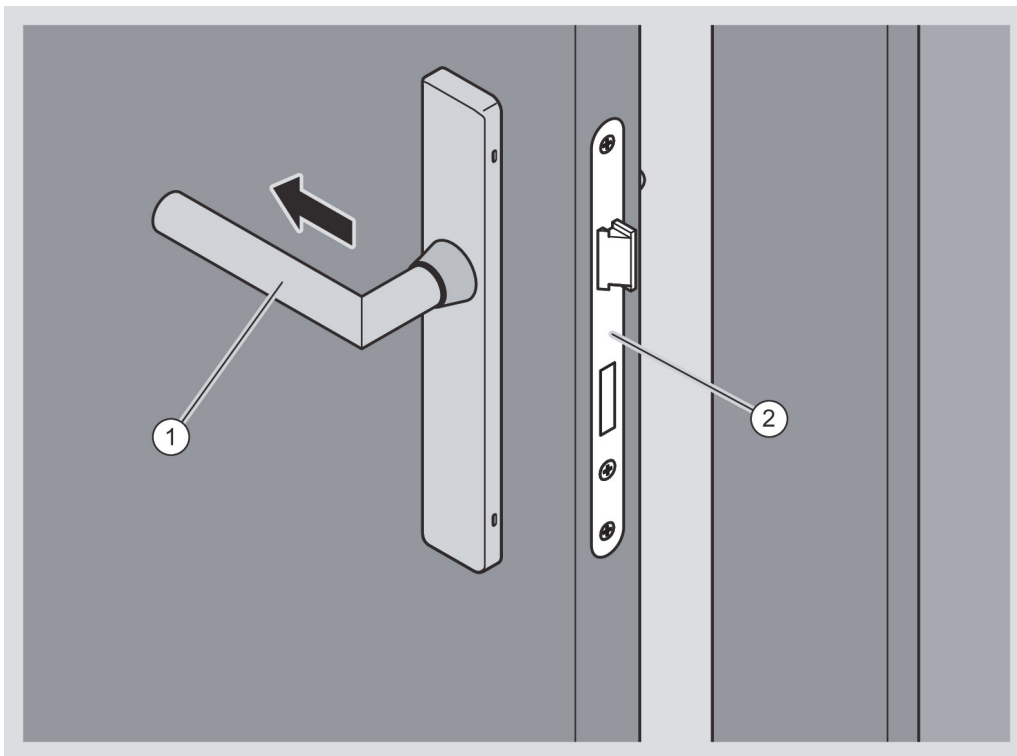
- ▶ Do not release the attachment screws of the lever handle bearing.
- ▶ If you wish to replace a damaged lever handle, order a corresponding mechanical assembly profile with pre-installed lever handle.

The lever handle is already fitted on the assembly profile when the mechanical handle is delivered. You must align the lever handle to the left or right according to the installation situation so that the end of the lever handle points horizontally to the door hinge side.

You can turn the lever handle on mechanical handles at an angle of around 300 ° above the lever handle bearing. You cannot turn the lever handle below the lever handle bearing.

- Turn the lever handle (1) so that it is aligned towards the door hinges and points away from the side with the lock (2).

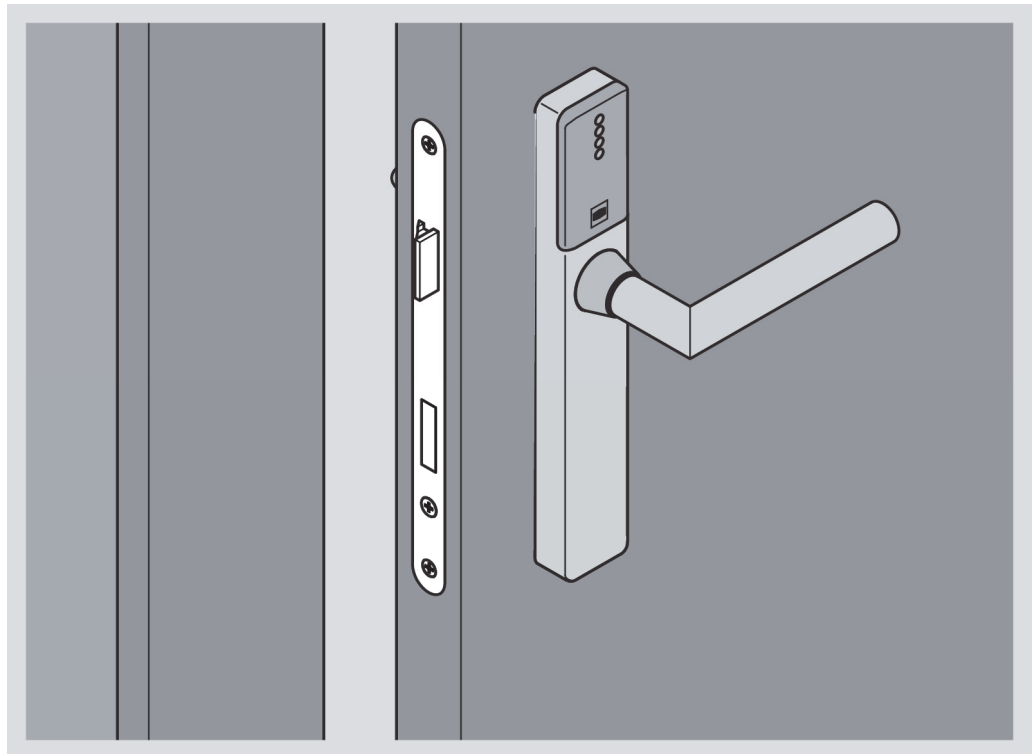
You can now install the handle on the outside as described in the following sections. The mechanical handle is then attached to the inside and secured in position.



Attaching lever handle on the electronic handle

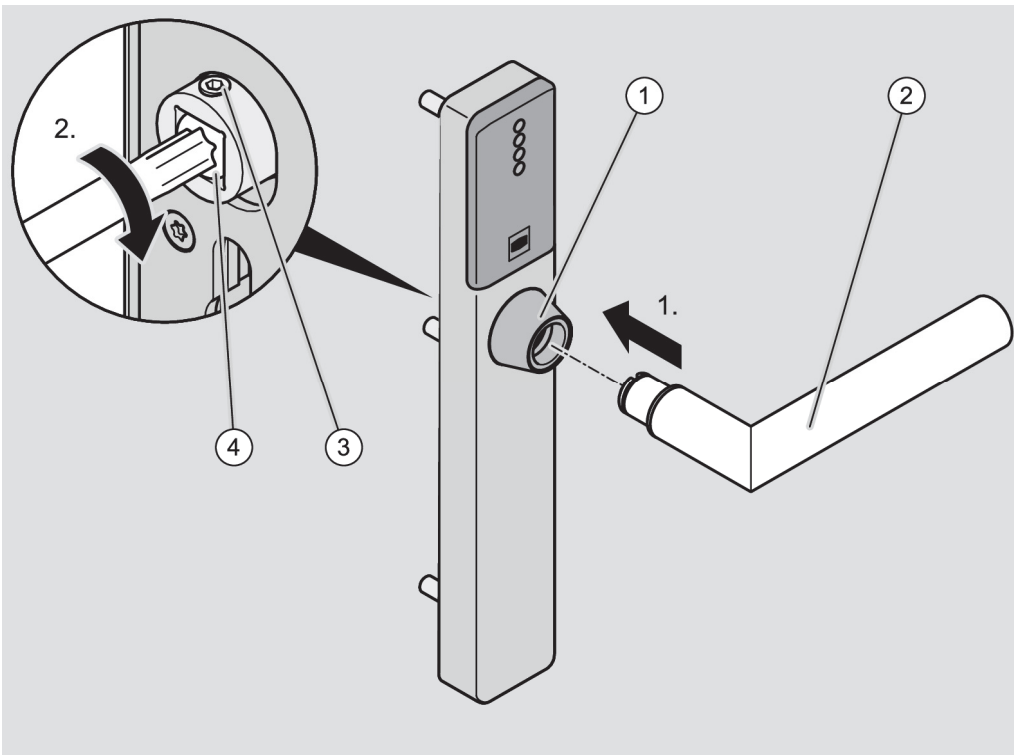
- ① An electronic GUARD Slimline long plate is presented in the section which follows.

The handles of the GUARD family are suitable for right and left hand doors. You just need to attach the lever handle with the corresponding alignment.



The alignment of the lever handle is dependent on the alignment of the door. The lever handle must be aligned to the left or right in line with the door situation. The end of the lever handle must point horizontally towards the door hinges. You should proceed as follows for electronic handles:

- ▶ Ensure that the grub screw (3) is aligned as shown.
- ▶ Insert the lever handle (2) into the lever handle bearing with the required alignment from outside and on the outer spindle of the coupling (1).
- ▶ Insert the TORX screw TX25 into the lever handle from the rear through the coupling nut.
- ▶ Tighten the TORX screw TX25 (4) on the inside of the coupling so it is hand-tight (2.).



You can also set the horizontal alignment of the lever handle to change its inclination. You must remove the cover of the handle for this purpose. The removal of covers of electronic handles is described from page 254 onwards.

ATTENTION!	
	<p>Malfunctions possible due to poorly aligned lever handles Coupling can be affected if there is too great a difference between the inclination of the outer lever handle and the inner lever handle.</p> <ul style="list-style-type: none">▶ Match the inclination of the outer lever handle to the inclination of the inner lever handle as much as possible.

The procedure depends on the position of the lever handle to the door hinges.

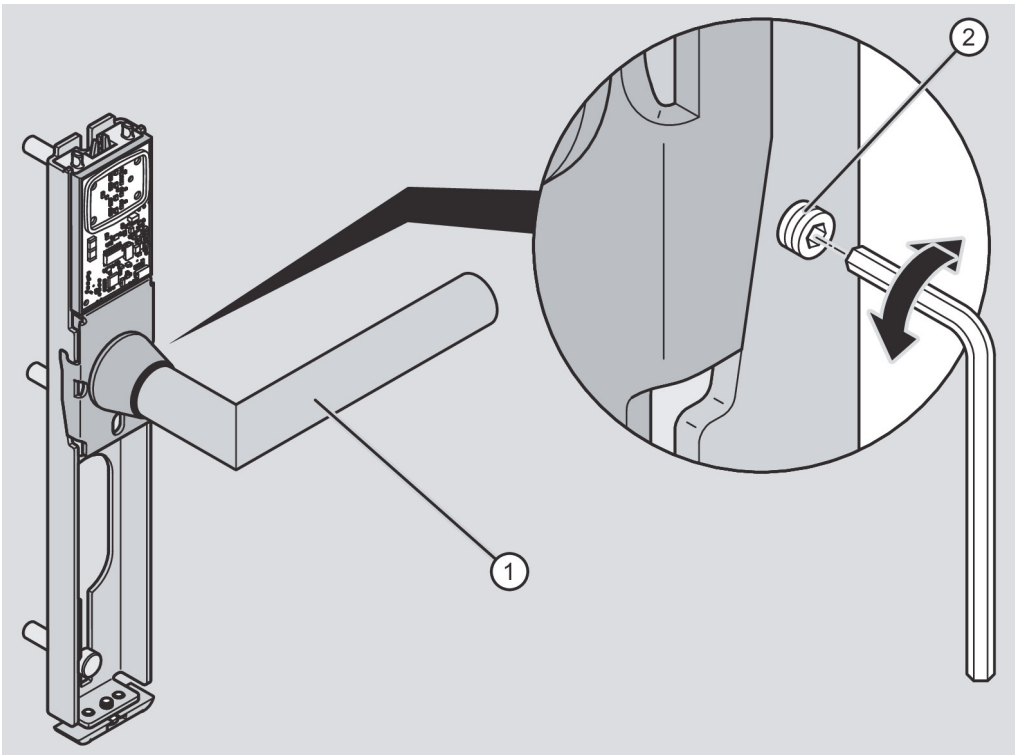
You will require a 2 mm Allen key.

Proceed as follows for a right-hand lever handle (see diagram below):

- ▶ To set the end of the lever handle (1) higher turn the grub screw (2) clockwise.
- ▶ To set the end of the lever handle (1) lower turn the grub screw (2) anti-clockwise.

Proceed as follows for a left-handed lever handle:

- ▶ To set the end of the lever handle (1) higher turn the grub screw (2) anti-clockwise.
- ▶ To set the end of the lever handle (1) lower turn the grub screw (2) clockwise.



Insert spindle

If you are using handles which read on both sides, you must ensure that the spindle is of the correct length as described from page 68 onwards.

The standard spindle has 9 mm edge length. Adapter sleeves in three sizes are available for spindle hubs with a smaller edge length. With these adapter sleeves you adapt the supplied spindle with smaller edge length to the dimensions of the inside lever handle and the coupling nut of the electronic handle side.

If you are using a standard spindle, you can fit this as described from page 68 onwards.

If a lock which is present necessitates a different edge length, you must use adapter sleeves to adapt the spindle on the spindle hub or coupling nut and inner lever handle. A suitable spindle and adapter sleeves in line with the dimensions which you stated when placing the order are included in the scope of delivery.

Adapter sleeves in three sizes are available for a spindle hub with a smaller edge length. With these adapter sleeves you adapt the supplied spindle with smaller edge length to the dimensions of the inside lever handle and the coupling nut.

- Adapter sleeves for spindle with edge length 7 mm
- Adapter sleeves for spindle with edge length 8 mm
- Adapter sleeves for spindle with edge length 8.5 mm

An adapter sleeve for the lock can be supplied for a spindle hub with 10 mm edge length. With this adapter sleeve you adapt the measurement of the spindle hub to the standard spindle 9 mm.

- Adapter sleeve for spindle with edge length 10 mm

The procedure for attaching the adapter sleeves differs in line with the desired dimensions.

The procedure for attaching the adapter sleeves is described in the sections from page 70 onwards.




Shortening spindle

If you are installing handles which read on both sides, it is possible that the spindle supplied may be too long. Proceed as follows to shorten the spindle to the correct length:

- ▶ Place the outer handle with spindle and lever handle on the door leaf without attachment material.
- ▶ Place the inner handle with lever handle on the protruding spindle.
- ▶ Turn the inner handle carefully until it comes to a stop.

If the spindle is too long you will be unable to press the inner handle up to the door leaf.

- ▶ Measure the gap between the inner handle and door leaf.
- ▶ Remove the halves of the handle from the door leaf.
- ▶ Remove the spindle from the outer handle.

⚠ CAUTION	
	<p>Danger of injury due to improper cutting of spindle An incorrectly clamped spindle which slips can result in injury. Metal splinters can cause eye injuries.</p> <ul style="list-style-type: none"> ▶ Wear safety glasses and safety gloves. ▶ Ensure that the spindle to be shortened is correctly attached in the clamping device. ▶ Shorten the spindle in the proper way.

- ▶ Attach the spindle correctly in a clamping device.
- ▶ Shorten the spindle by a little less than the length of the gap.
- ▶ Check the length of the spindle once again as described above.
- ▶ Repeat the measurement of the length and the shortening of the spindle until the spindle is of the desired length.

Use spindle without reducing bushes

- i** The length of the spindle which is supplied is matched to the thickness of the door leaf stated with the order.

 - Ensure that the spindle is of the correct length as described from page 68 onwards.
- i** A GUARD Slimline long plate is presented in the section which follows. The procedure for other handles is no different from the one described here.

ATTENTION!

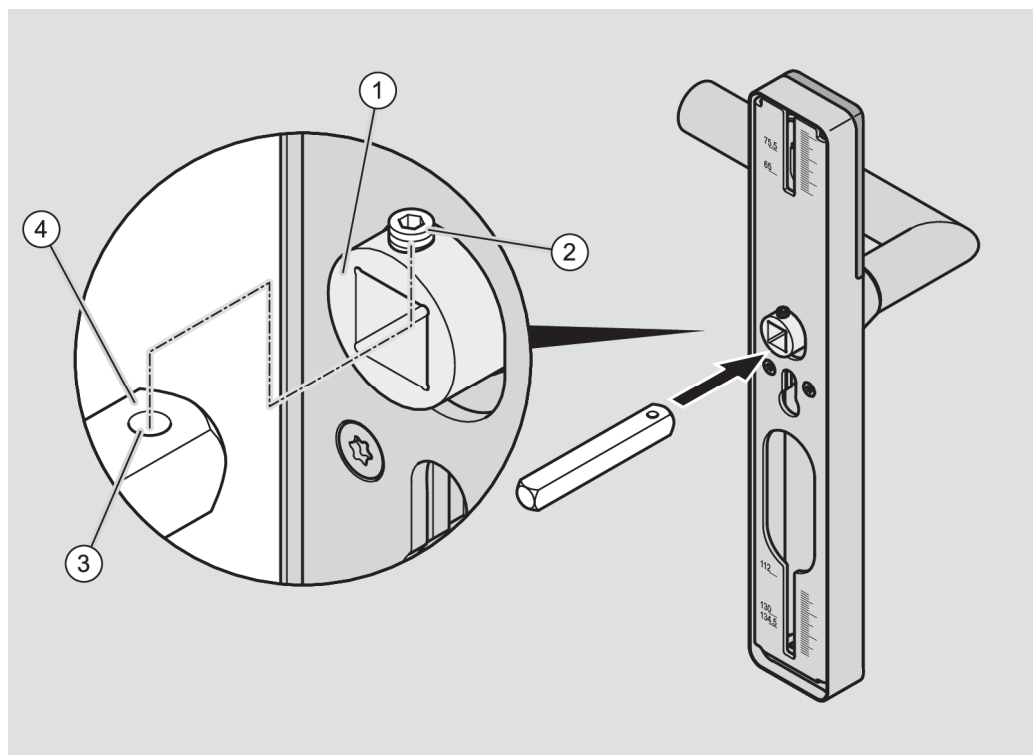
Loss of the grub screw

If you release the grub screw too much, it may fall out and get lost.

- ▶ Only release the grub screw as far as is necessary for inserting the spindle into the coupling nut.

You require a 2 mm Allen key for loosening or tightening the grub screw.

- ▶ Align the spindle in such a way that the drill hole (3) is in alignment with the grub screw (2).
- ▶ Insert the spindle into the coupling nut (1).
- ▶ Loosen the grub screw (2) a little if it is not possible to insert the spindle in the coupling nut.
- ▶ Push the spindle into the coupling nut until it comes to a stop.
- ▶ Tighten the grub screw until it comes to a stop.
- ▶ Loosen the grub screw half a turn.



- ▶ Continue with the assembly of the handle as described from page 76 onwards.



Use adapter sleeves for smaller spindle hubs

The adapter sleeves for spindles with edge lengths of 7 mm, 8 mm and 8.5 mm are supplied in two forms.

- Adapter sleeves for use on electronic handles (shorter form)
- Adapter sleeves for use of mechanical handles (longer form)

The attachment of adapter sleeves for handles on the outside door and inside door is also different.

- The attachment of the adapter sleeves to electronic handles on the outside is described from page 71 onwards.
- The attachment of the adapter sleeves to mechanical handles on the outside is described from page 72 onwards.
- The attachment of the adapter sleeves to electronic handles on the inside is described from page 74 onwards.
- The attachment of the adapter sleeves to mechanical handles on the inside is described from page 73 onwards.

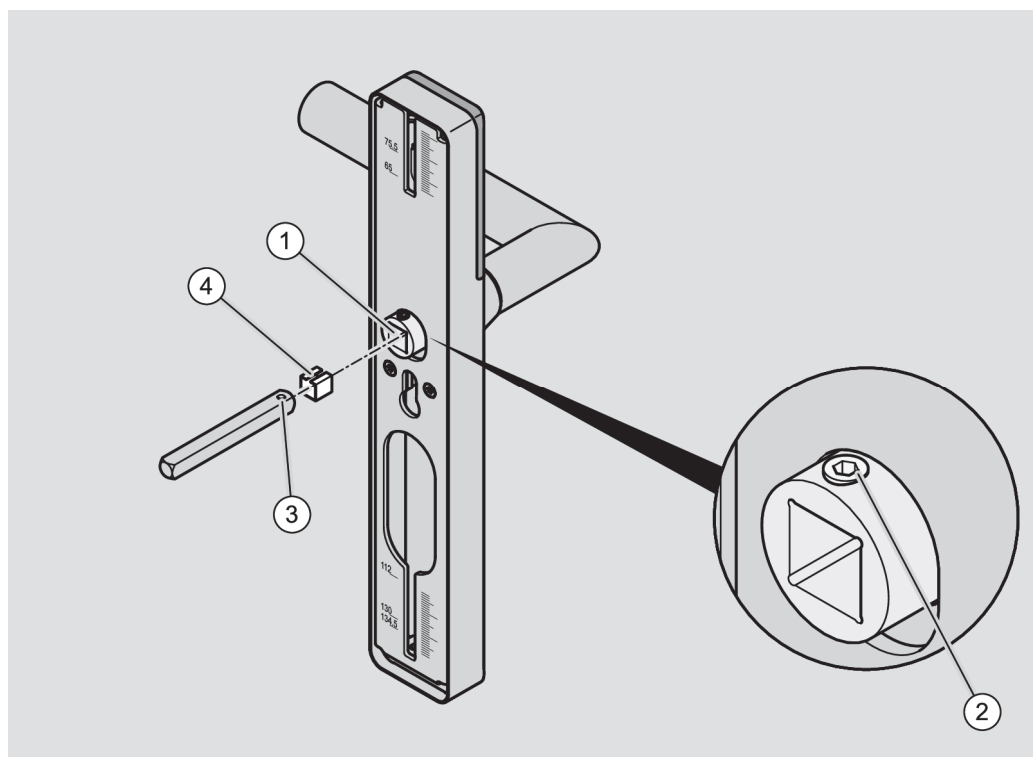
- ① The length of the spindle which is supplied is matched to the thickness of the door leaf stated with the order.
 - Ensure that the spindle is of the correct length as described from page 68 onwards.

Using adapter sleeve on an electronic handle outside

- i** A GUARD Slimline long plate is presented in the section which follows. The procedure for other handles is no different from the one described here.

Proceed as follows to install a spindle with an edge length less than 9 mm on an electronic handle on the outside:

- ▶ Make sure that the spindle is of the correct length as described from page 68 onwards.
- ▶ Push the smaller adapter sleeve (4) into the coupling nut (1) in such a way that the slot in the adapter sleeve is aligned with the grub screw (2).
- ▶ Insert the spindle into the adapter sleeve in such a way that the drill hole (3) in the spindle is aligned with the grub screw.
- ▶ Tighten the grub screw until it comes to a stop.
- ▶ Loosen the grub screw half a turn.



Proceed as follows to prepare the handle for the inside:

- ▶ Attach the second adapter sleeve in line with the type of inner handle.

The attachment of the adapter sleeve to the mechanical handle on the inside is described from page 73 onwards. The attachment of the adapter sleeve to the electronic handle on the inside is described from page 74 onwards.

- ▶ For further assembly please ensure that the adapter sleeve does not fall out of the prepared inner handle.

Using adapter sleeve on a mechanical handle outside

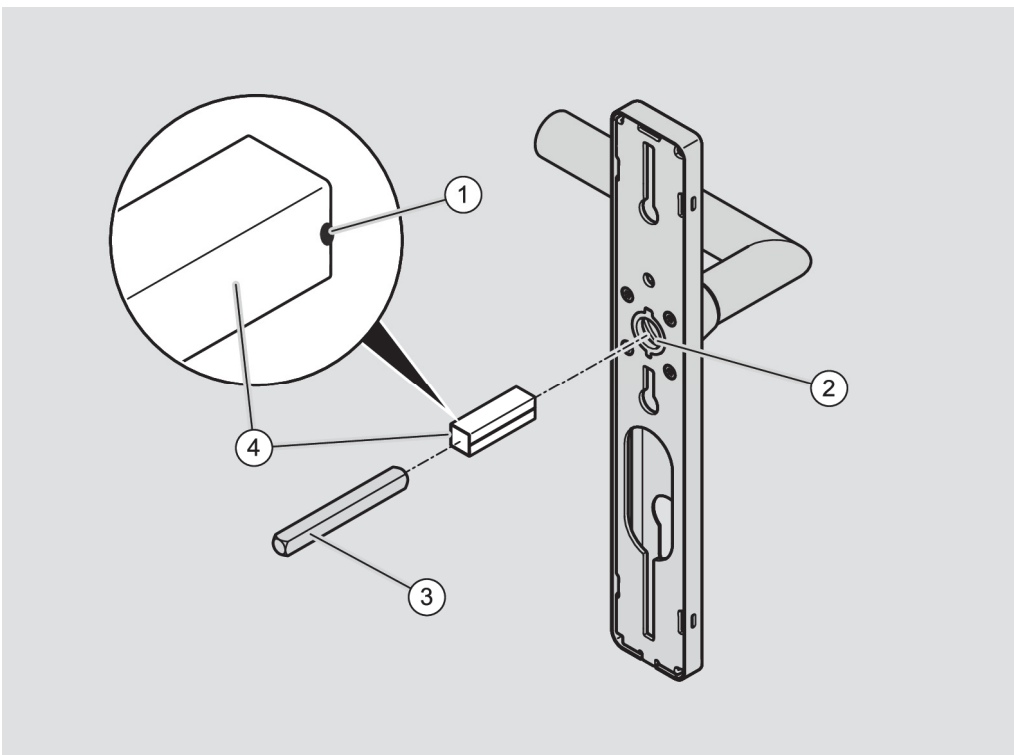
- i** A GUARD Slimline long plate is presented in the section which follows. The procedure for other handles is no different from the one described here.

Proceed as follows to install a spindle with an edge length less than 9 mm on a mechanical handle on the outside:

- ▶ Align the larger adapter sleeve (4) in such a way that the end stopper (inside) (1) is aligned with the drill hole in the spindle (3).
- ▶ Push the larger adapter sleeve with the end stopper backwards onto the spindle until it comes to a stop.
- ▶ Insert the spindle with adapter sleeve into the lever handle (2).

There is no grub screw present for attachment of the spindle in the adapter with mechanical handles.

- ▶ Do not tilt the handle so that the spindle is released from the lever handle.



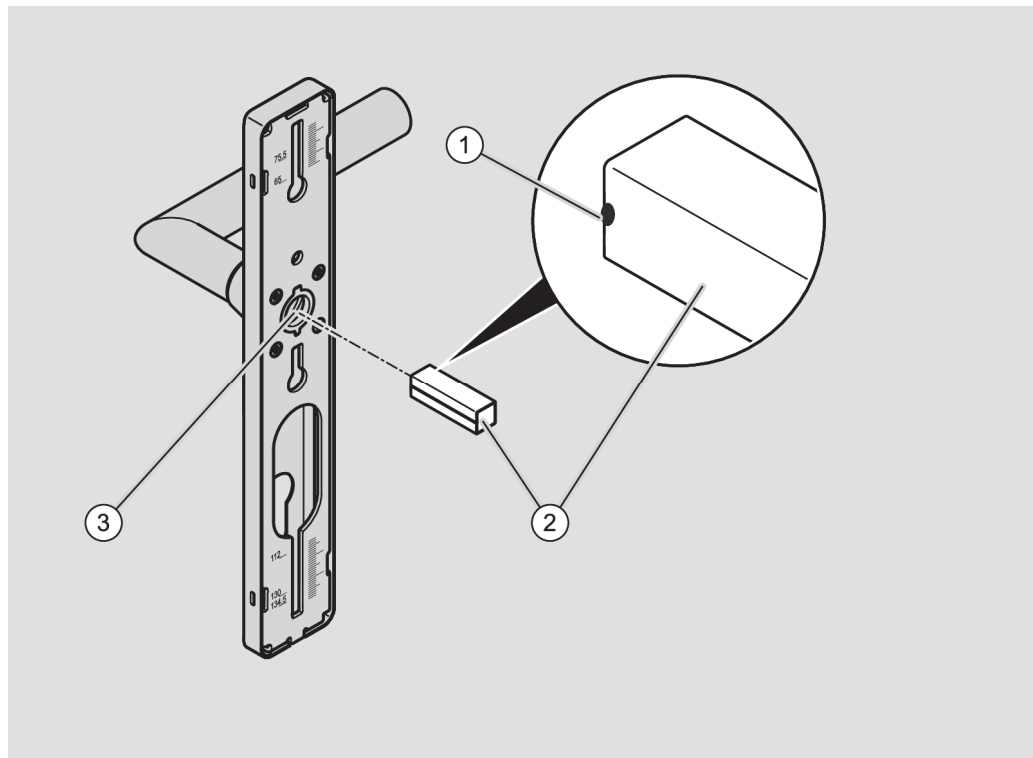
Proceed as follows to prepare the handle for the inside:

Using adapter sleeve on a mechanical handle inside

- i A GUARD Slimline long plate is presented in the section which follows. The procedure for other handles is no different from the one described here.

Proceed as follows to install a spindle with an edge length less than 9 mm on a mechanical handle on the inside:

- ▶ Push the longer adapter sleeve (2) with the end stopper (inside) (1) forwards into the lever handle for the inside (3).
- ▶ Ensure that the adapter sleeve does not slide out of the lever handle.



- ▶ Continue with the assembly of the handle as described from page 76 onwards.

Using adapter sleeve on an electronic handle inside

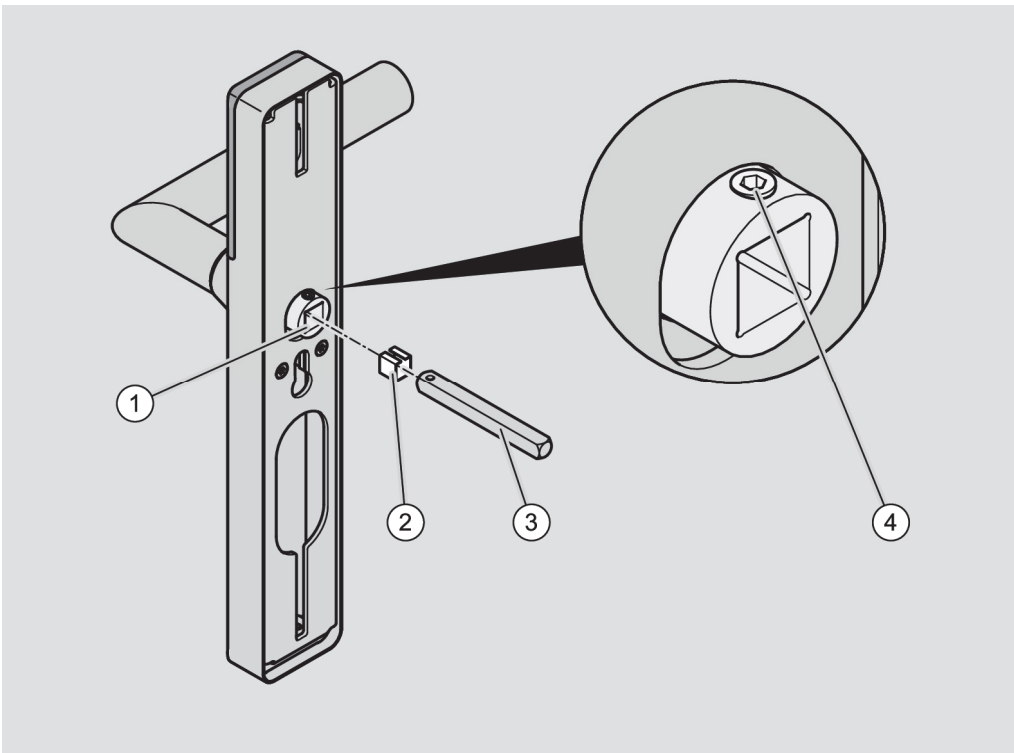
- i** A GUARD Slimline long plate is presented in the section which follows. The procedure for other handles is no different from the one described here.

Proceed as follows to install a spindle with an edge length less than 9 mm on an electronic handle on the inside:

- ▶ Push the smaller adapter sleeve (2) into the coupling nut (1) in such a way that the slot in the adapter sleeve is aligned with the grub screw on the coupling nut.
- ▶ If necessary release the grub screw (4) a little so that the spindle (3) can be inserted freely into the coupling nut.

On an electronic handle on the inside it is not possible to use the grub screw to attach the spindle. The adapter sleeve could fall out in the event of incorrect position of the handle.

- ▶ Ensure that the adapter sleeve does not fall out of the handle prior to assembly.



- ▶ Continue with the assembly of the handle as described from page 76 onwards.

Use adapter sleeve for 10 mm spindle hub

- i A GUARD Slimline long plate is presented in the section which follows. The procedure for other handles is no different from the one described here.
- i The length of the spindle which is supplied is matched to the thickness of the door leaf stated with the order.
 - Ensure that the spindle is of the correct length as described from page 68 onwards.

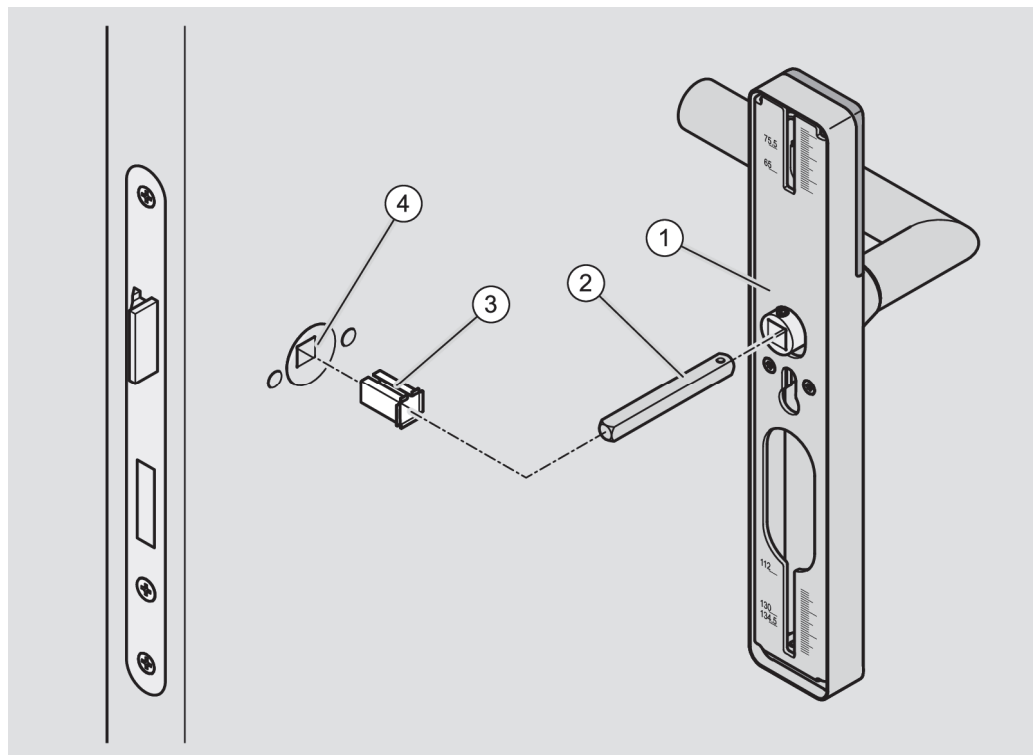
Proceed as follows to install a spindle in a spindle hub with 10 mm edge length:

- ▶ Align the adapter sleeve (3) as shown.

The adapter sleeve must be aligned in such a way that the slot in the adapter sleeve is aligned with the grub screw (1).

- ▶ Push the adapter sleeve into the spindle hub (4) in the door until it comes to a stop.
- ▶ Insert the spindle (2) into the spindle hub as described from page 68 onwards.

You can now insert the spindle in the electronic handle into the adapter sleeve in the spindle hub and attach the handle to the door leaf. For this purpose proceed as described in the section “Installing handle” from page 76 onwards.







Installing handle

The attachment of the handles differs according to the variant and the selected type of screwed connection.

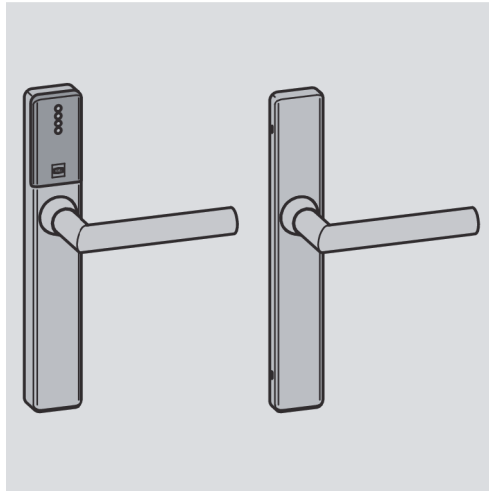
The handles of the GUARD family are attached at three points as a rule. In this process threaded bushes are placed in the handle on the outside. The threaded bushes are inserted into the corresponding drill holes in the door leaf. The handle is screwed with long screws in the threaded bushes on the inside. The screwing is through the door leaf ("Screwing all the way through"). If using three screw connections is not possible, screwing all the way through at two points is an alternative.

There is the additional possibility of using short screws on both sides which do not go right through the door leaf ("Screwing on") instead of screwing all the way through.

⚠ CAUTION	
	<p>Danger of injury to the fingers or hands on edges of the installation profile or the lock.</p> <ul style="list-style-type: none"> ▶ Wear suitable safety gloves.
⚠ CAUTION	
	<p>Risk of finger or hand injuries caused by slipping during drilling or screwing work.</p> <ul style="list-style-type: none"> ▶ Wear suitable safety gloves. ▶ Observe and follow the notices provided in the drilling machine documentation when drilling.
ATTENTION!	
	<p>Damage possible due to screws being too tight. Damage to the handle, door or lock may result.</p> <ul style="list-style-type: none"> ▶ Do not use any force when installing handles. ▶ Make sure that the screws are only hand tight.

The manufacturer can provide instructions about the required torque.

GUARD Slimline set reading on one side



Installing handle and screwing right through

- i** The procedure for “Screwing long plate” is described and presented in the section which follows. In this case screwing occurs with three threaded bushes and long screws through the door leaf (“Screwing all the way through”).
Screwing at just two attachment points may occur depending on regional conditions and the attachment points which are available.
- i** You can install the long plate without taking off the cover of the assembly profile when screwing all the way through.

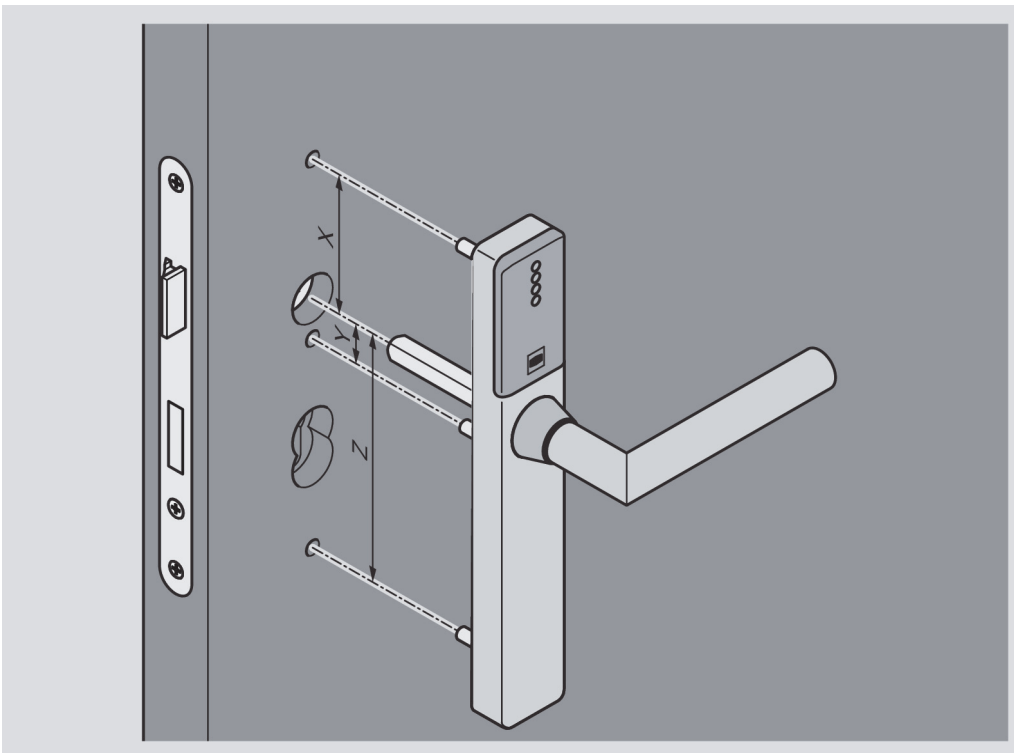
You must attach the spindle and lever handle to the handle prior to attaching the handle in position.

- i** The attachment of the lever handle to the electronic handle is described from page 63 onwards.
The attachment of the spindle is described from page 67 onwards.
The attachment of the spindle with reducing bushes is described from page 70 onwards.

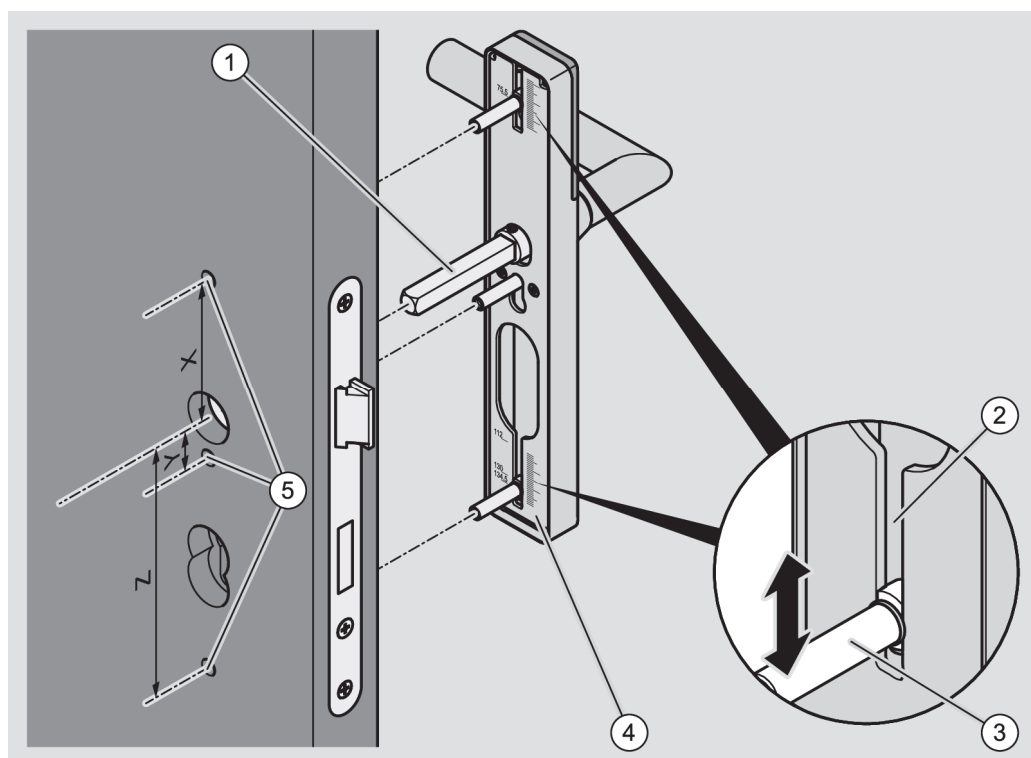
The assembly profiles are attached on both sides of the door and screwed together. Threaded bushes are inserted into the outer assembly profile for this purpose. The inner assembly profile is attached with long screws which are screwed into the threaded bushes.

The position of the screw connections depends on the position of the drill holes which are present on the door and the lock. Guide slots are present in the assembly profiles in which the threaded bushes can be moved to the correct positions for the corresponding attachment points. Corresponding scales are attached alongside the guide slots for this purpose.

- ▶ Measure the distance “X” between the middle of the coupling nut and the upper attachment point in the door leaf.
- ▶ Measure the distance “Y” between the middle of the coupling nut and the attachment point below the coupling nut.
- ▶ Measure the distance “Z” between the middle of the coupling nut and the lower attachment point in the door leaf.

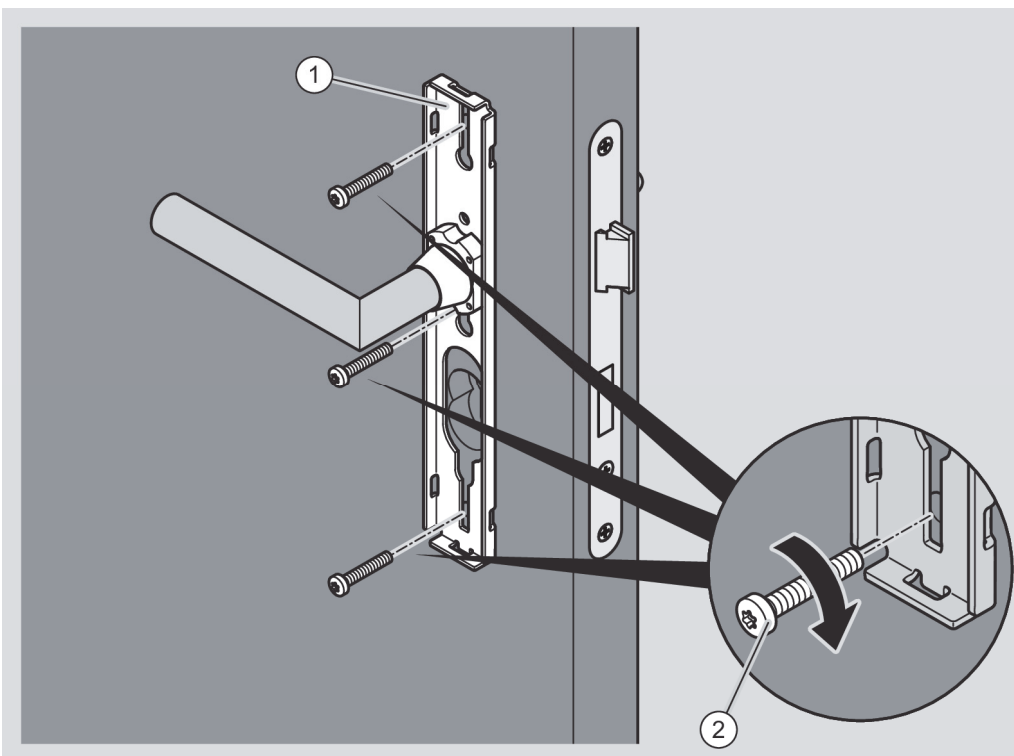


- ▶ Insert the three threaded bushes (3) through the respective recess into the guide slots (2) in the assembly profile as shown.
 - ▶ Push the threaded bushes to the desired positions in line with the measurements established.
- i** Scales are attached on the rear of the assembly profile next to the upper and lower guide slot for this purpose.
- ▶ Ensure that the lever handle on the inside handle is aligned correctly (see page 61).
 - ▶ When using adapter sleeves, make sure that these are attached correctly (see page 70).
 - ▶ Guide the spindle (1) into the spindle hub and the threaded bushes into the drill holes (5) on the door.
 - ▶ If necessary, move the threaded bushes until the threaded bushes can be inserted easily into the drill holes.
 - ▶ Press the assembly profile (4) on the door leaf until it comes to a stop.



Proceed as follows to attach the inner handle with the installed and aligned lever handle:

- ▶ Place the lever handle on the spindle protruding on the inside of the door.
- ▶ Press the assembly profile (1) onto the door leaf.
- ▶ Insert the three long screws (2) through the guide slots on the assembly profile into the drill holes of the attachment points as shown.
- ▶ If necessary, move the long screws until they can be inserted easily into the drill holes and screwed into the threaded bushes.
- ▶ Screw the three long screws into the threaded bushes so they are hand tight.
- ▶ Check the lever handle for ease of movement.
- ▶ Release the centre long screw a little if the lever handle does not move easily.
- ▶ Check the lever handle for ease of movement once again.



ATTENTION!

It is possible to damage the surface of the lever handle when fitting the cover.

- ▶ Do not use any force when installing the covers of handles.
- ▶ Twist the cover round the lever handle while fitting in order to avoid contact.
- ▶ Ensure that the cover and the lever handle do not touch when fitting the cover.


The cover of the mechanical handle is only put loosely in place on delivery. You must press the cover onto the assembly profile until it clicks audibly into place.

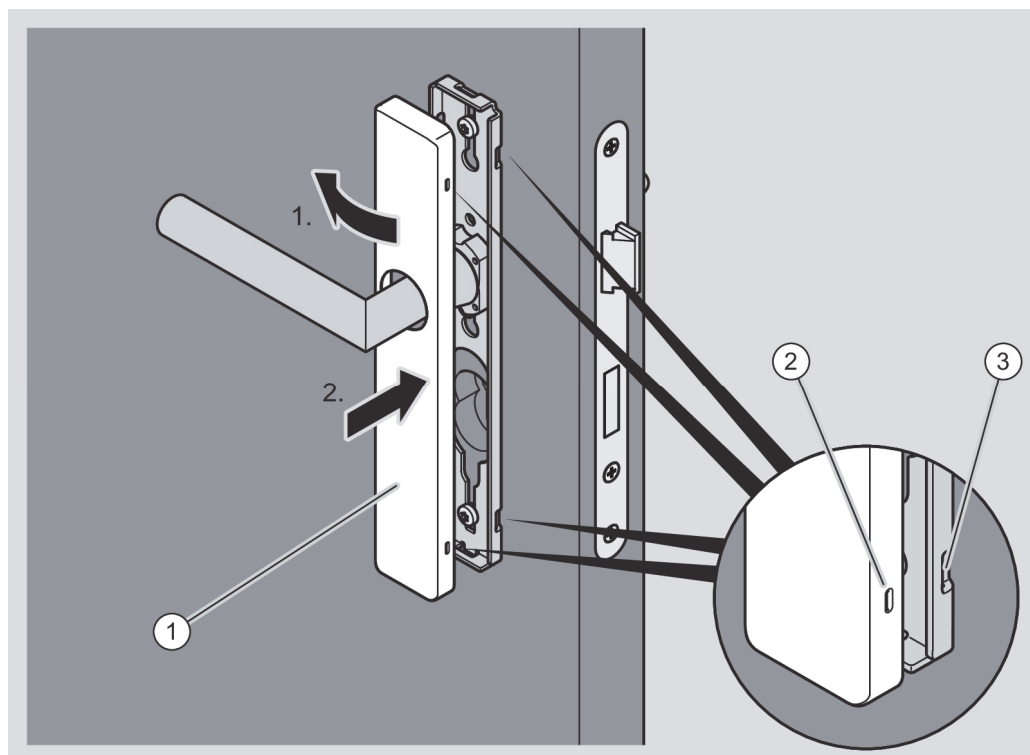
ATTENTION!	
	<p>Distortion of the cover possible due to forceful pressing.</p> <ul style="list-style-type: none"> ▶ Press the cover carefully until it clicks into the locking points. ▶ Use the heel of the hand to strike the outer edge of the cover lightly if necessary.

- ▶ Place the cover (1) over the lever handle as shown.

You must twist the cover when putting it in position if this is necessary.

- ▶ Press the cover laterally onto the assembly profile (1.) until the locking points of the cover (2) are in contact with the locking points of the assembly profile (3) (1.).
- ▶ Press the other side of the cover onto the assembly profile in such a way that the locking points audibly click into place (2.).

 The diagram which follows shows an example of the attachment.





- ▶ Check the outer lever handle for flawless functioning (coupling).

If the outer lever handle does not couple flawlessly, align it as follows:

- ▶ Remove the cover of the outer handle as described in section “Removing handle” from page 251 onwards.
- ▶ Align the outer lever handle horizontally as described from page 63 onwards.

The horizontal positions of the outer lever handle and inner lever handle must match.

- ▶ Reattach the cover to the assembly profile.

Installing handle and screwing on

If you cannot attach the handle by screwing right through, you must screw it on the door with short screws. For this purpose you require two short screws for the electronic handle and three short screws for the mechanical handle.

- ❗ The short screws which are supplied are only suitable for metal doors with pre-drilled threads. You can obtain suitable screws for doors made of different material via specialist retailers.
The screws must be of the same diameter as the screws supplied and the heads must be uniform. The head of the short screw must be wider than the drill hole (5 mm). It may have a maximum diameter of 9.8 mm and a maximum height of 4 mm.
 - Consult a specialist retailer for advice about suitable short screws for door leaves made of different materials.
 - Select the correct short screws in line with the door leaf thickness of the door and the position of the lock.

- ❗ You can pre-drill the screwing points in order to guarantee safe screwing.

- ❗ If you just want to screw the assembly profile on the door with short screws, you must remove the cover prior to assembly.

ATTENTION!	
	<p>It is possible to damage the surface of the lever handle when removing the cover.</p> <ul style="list-style-type: none">▶ Do not use any force when removing covers from handles.▶ Twist the cover round the lever handle while pulling it off in order to avoid contact.

ATTENTION!	
	<p>Damage to the electronic components of the handle due to contact possible.</p> <ul style="list-style-type: none">▶ Do not touch the electronic components of the handle.▶ Touch an earthed object made of metal to discharge any electrostatic charge before continuing work.

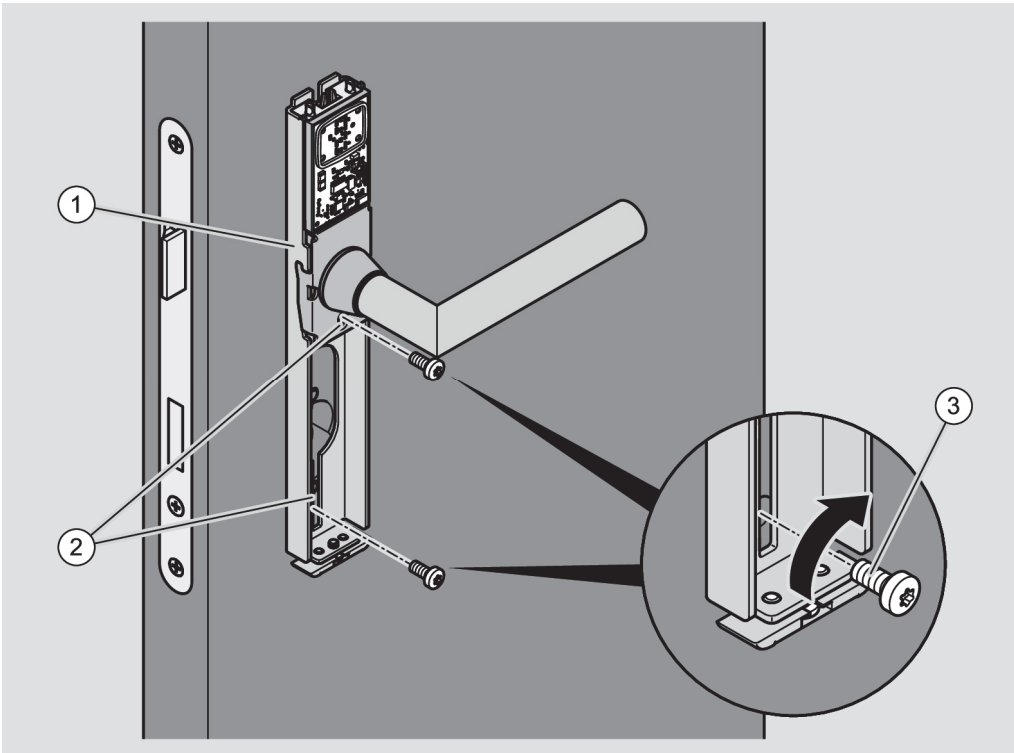
A heater or tap are examples of suitable earthed objects.

- ▶ If necessary remove the cover from the electronic assembly profile as described from page 254 onwards.

You must attach the spindle and lever handle to the handle prior to attaching the handle in position.

- ① The attachment of the lever handle to the electronic handle is described from page 63 onwards.
The attachment of the spindle is described from page 67 onwards.
The attachment of the spindle with reducing bushes is described from page 70 onwards.

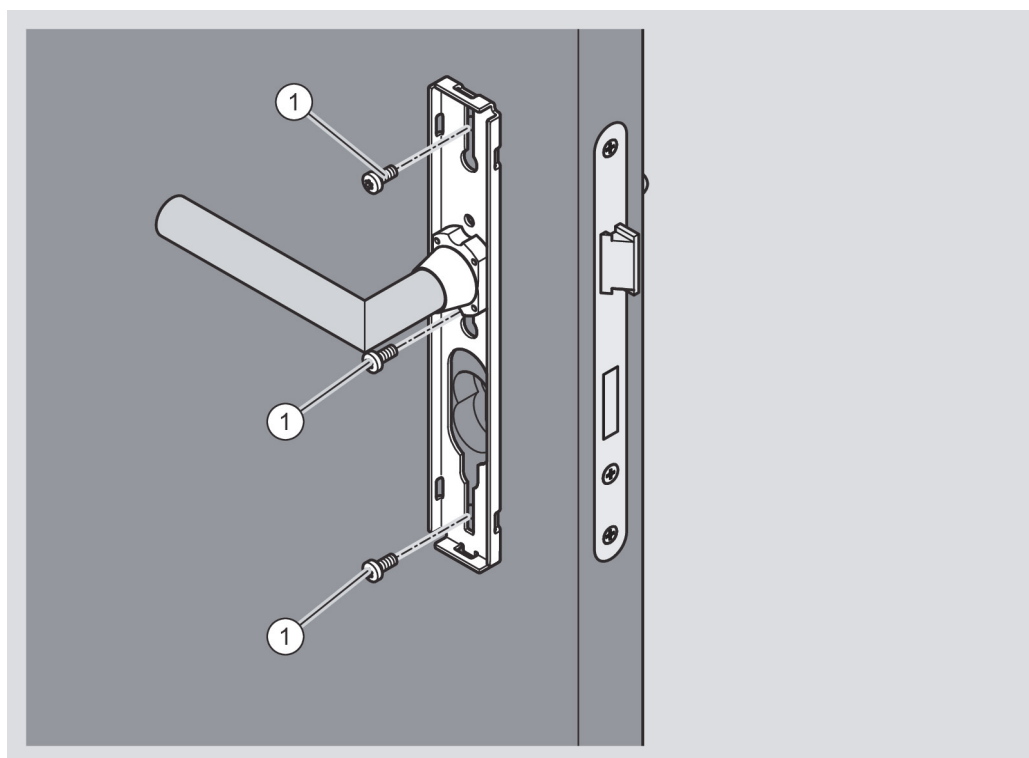
- ▶ Insert the spindle in the electronic assembly profile (1) on the outside into the spindle hub.
- ▶ Press the assembly profile on the door leaf until it comes to a stop.
- ▶ Insert two suitable short screws (3) into the centre and lower drill hole (2).
- ▶ Tighten the centre short screw so it is hand tight.
- ▶ Tighten the lower short screw so it is hand tight.



- ▶ Ensure that the lever handle on the inside handle is aligned correctly (see page 61).
- ▶ When using adapter sleeves, make sure that these are attached correctly (see page 70).
- ▶ Place the lever handle on the spindle protruding on the inside of the door.
- ▶ Press the assembly profile onto the door leaf.
- ▶ Insert the three short screws (1) through the guide slots on the assembly profile as shown.

ATTENTION!	
	<p>Damage to the lock possible if screws are too long.</p> <ul style="list-style-type: none"> ▶ Ensure that the screwing does not damage the lock. ▶ Use shorter screws at screwing points close to the lock if necessary.

- ▶ Screw the three short screws into the drill holes so they are hand tight.
- ▶ Check the lever handle for ease of movement.
- ▶ Release the centre short screw a little if the lever handle does not move easily.
- ▶ Check the lever handle for ease of movement once again.



ATTENTION!	
	<p>It is possible to damage the surface of the lever handle when fitting the cover.</p> <ul style="list-style-type: none"> ▶ Do not use any force when installing the covers of handles. ▶ Twist the cover round the lever handle while fitting in order to avoid contact. ▶ Ensure that the cover and the lever handle do not touch when fitting the cover.

The cover of the mechanical handle is only put loosely in place on delivery. You must press the cover onto the assembly profile until it clicks audibly into place.

ATTENTION!


Distortion of the cover possible due to forceful pressing.

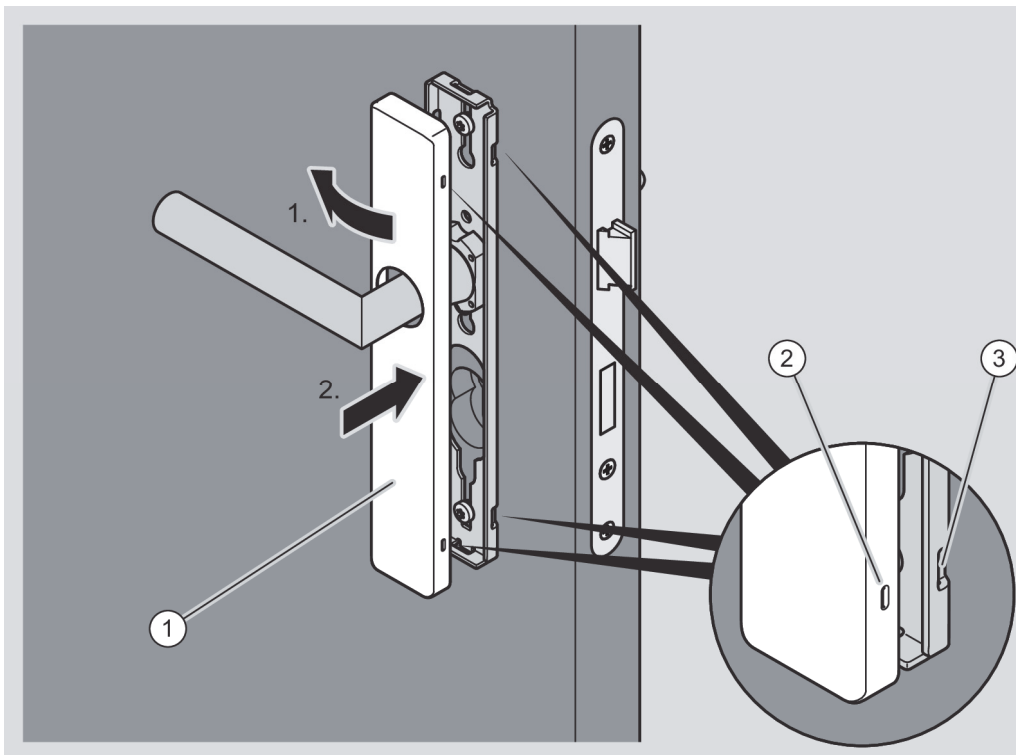
- ▶ Press the cover carefully until it clicks into the locking points.
- ▶ Use the heel of the hand to strike the outer edge of the cover lightly if necessary.

- ▶ Place the cover (1) over the lever handle as shown.

You must twist the cover when putting it in position if this is necessary.


- ▶ Press the cover laterally onto the assembly profile (1.) until the locking points of the cover (2) are in contact with the locking points of the assembly profile (3) (1.).
- ▶ Press the other side of the cover onto the assembly profile in such a way that the locking points audibly click into place (2.).

 The diagram which follows shows an example of the attachment.



ATTENTION!	
	<p>Damage to the electronic components of the handle due to contact possible.</p> <ul style="list-style-type: none"> ▶ Do not touch the electronic components of the handle. ▶ Touch an earthed object made of metal to discharge any electrostatic charge before continuing work.

A heater or tap are examples of suitable earthed objects.

 An electronic GUARD Slimline Compact is presented in the following section. The procedure for other electronic handles is the same as the one described here.

- ▶ Place the cover over the lever handle.

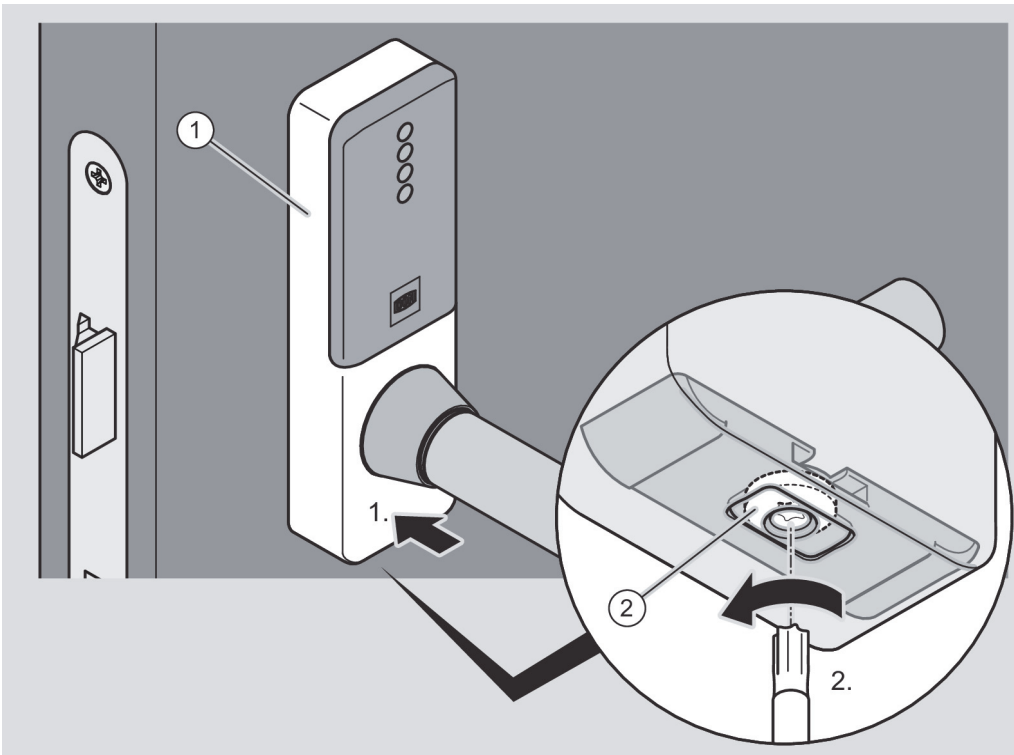
You must twist the cover if this is necessary.

- ▶ Place the cover (1) on the assembly profile from above first of all as shown.
- ▶ Then press the cover onto the assembly profile from above and below (1.).
- ▶ Ensure that the recess at the bottom of the cover is correctly positioned on the cover closure.

ATTENTION!	
	<p>Damage to the cover possible due to excessive tightening of the screw.</p> <ul style="list-style-type: none"> ▶ Only tighten the screw (2) so that the plate of the cover closure holds the cover securely.

- ▶ Turn the screw (2) on the underside of the cover in an anticlockwise direction to close the cover closure (2.).

The plate of the cover closure is pushed into the recess on the cover and it locks the cover.



► Check the outer lever handle for flawless functioning (coupling).

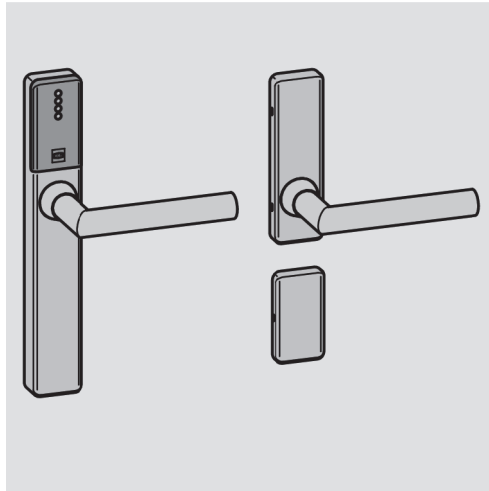
If the outer lever handle does not couple flawlessly, align it as follows:

- Remove the cover of the outer handle as described in section “Removing handle” from page 251 onwards.
- Align the outer lever handle horizontally as described from page 63 onwards.

The horizontal positions of the outer lever handle and inner lever handle must match.

- Reattach the cover to the assembly profile.

GUARD Slimline set reading on one side with short plate and rosette



Installing handle and screwing right through

You must attach the spindle and lever handle to the handle prior to attaching the handle in position.

- i** The attachment of the lever handle to the electronic handle is described from page 63 onwards.
The attachment of the spindle is described from page 67 onwards.
The attachment of the spindle with reducing bushes is described from page 70 onwards.

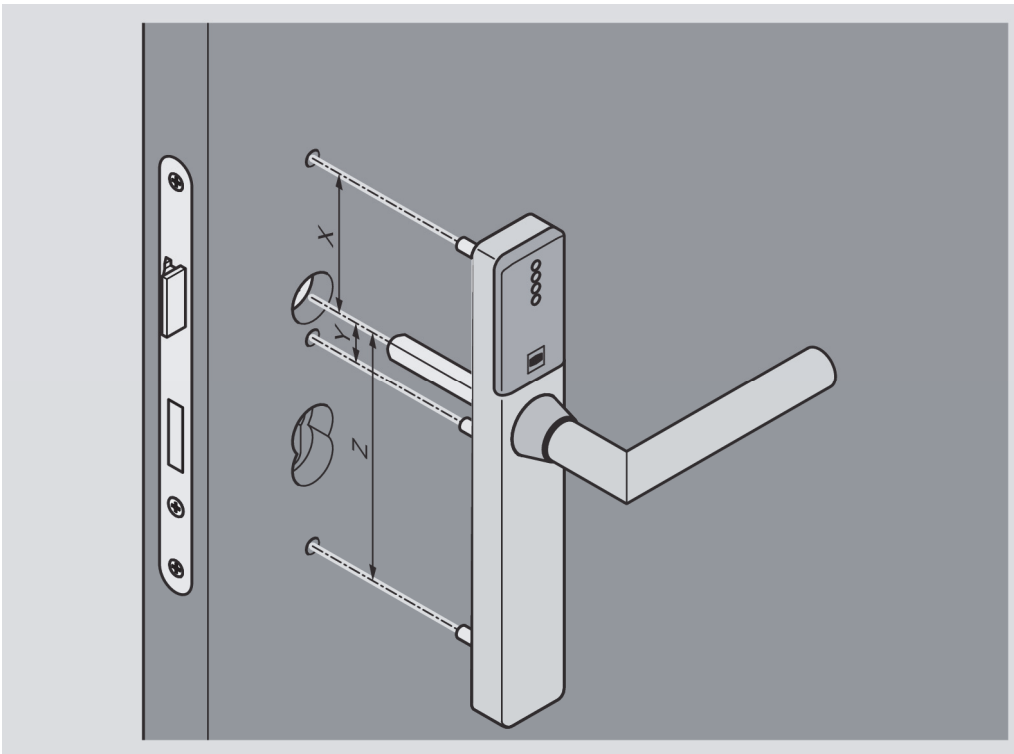
Always install the lever handle fittings/rosettes first for two-part handles. Only install the cylinder rosettes once the lever handle fittings/rosettes have been installed.

The assembly profiles are attached on both sides of the door and screwed together. Threaded bushes are inserted into the outer assembly profile for this purpose. The inner assembly profile is attached with long screws which are screwed into the threaded bushes.

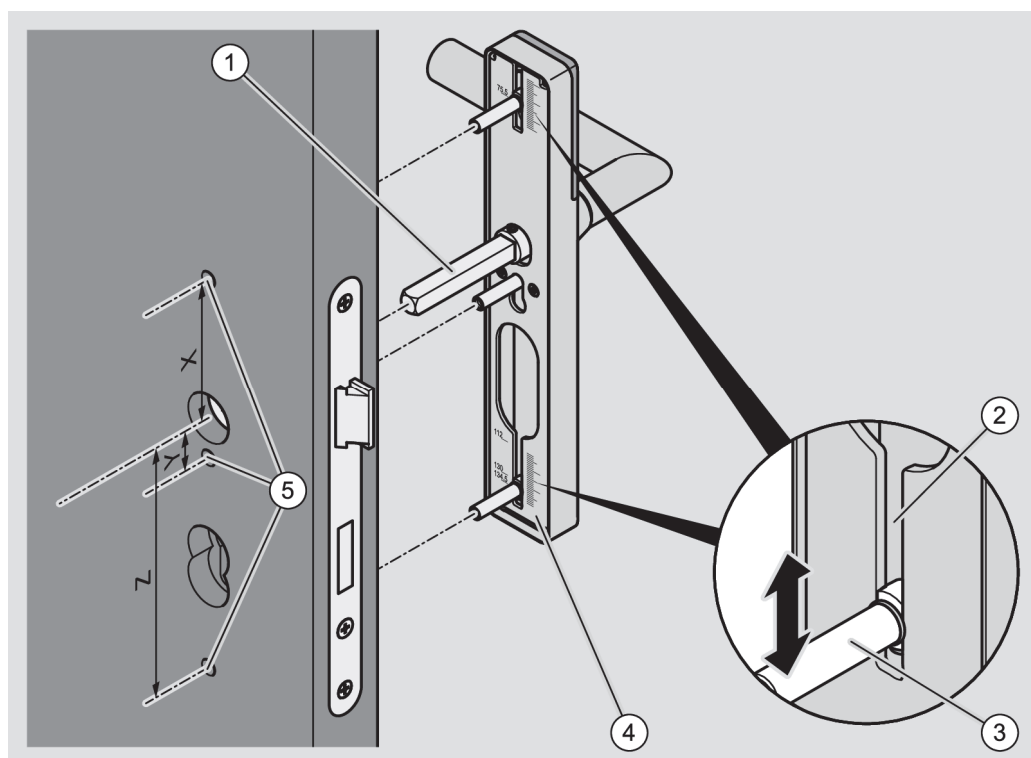
The short plate on the inside is attached with two long screws (screwing right through). The cylinder rosette is attached with a long screw in the lowest drill hole (screwing right through). The assembly profile is attached with a short screw at the upper attachment point of the cylinder rosette (screwing on).

The position of the screw connections depends on the position of the drill holes which are present on the door and the lock. Guide slots are present in the assembly profiles in which the threaded bushes can be moved to the correct positions for the corresponding attachment points. Corresponding scales are attached alongside the upper and lower guide slot.

- ▶ Measure the distance “X” between the middle of the coupling nut and the upper attachment point in the door leaf.
- ▶ Measure the distance “Y” between the middle of the coupling nut and the attachment point below the coupling nut.
- ▶ Measure the distance “Z” between the middle of the coupling nut and the lower attachment point in the door leaf.

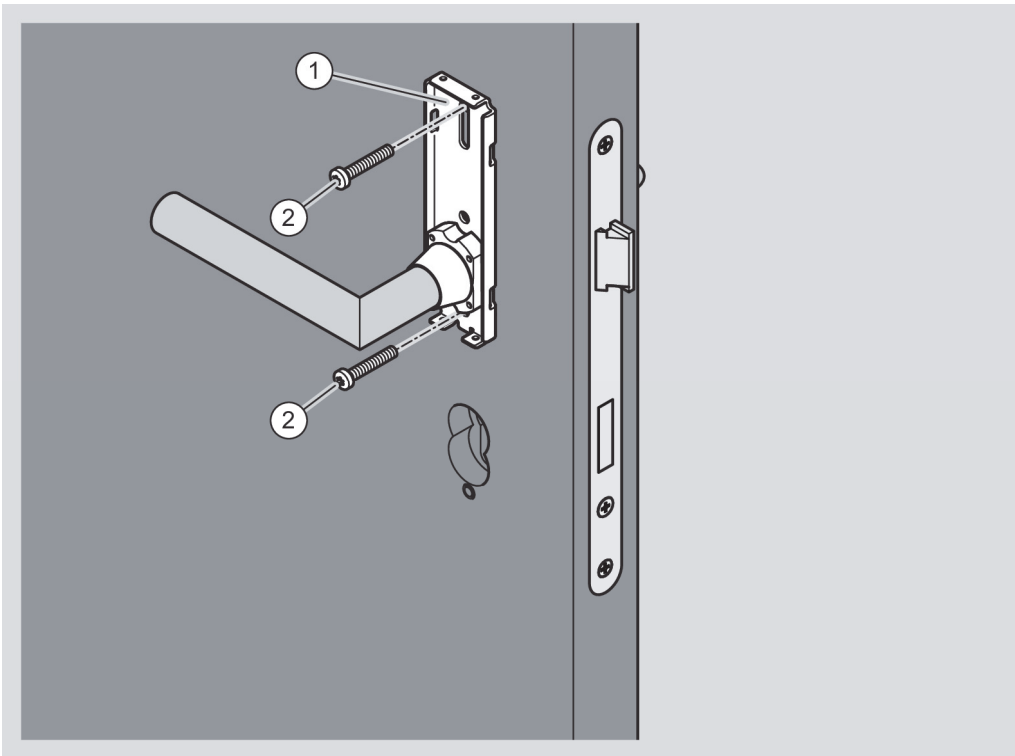


- ▶ Insert the three threaded bushes (3) through the respective recess into the guide slots (2) in the assembly profile as shown.
 - ▶ Push the threaded bushes to the desired positions in line with the measurements established.
- i** Scales are attached on the rear of the assembly profile next to the upper and lower guide slot for this purpose.
- ▶ Ensure that the lever handle on the inside handle is aligned correctly (see page 61).
 - ▶ When using adapter sleeves, make sure that these are attached correctly (see page 70).
 - ▶ Guide the spindle (1) into the spindle hub and the threaded bushes into the drill holes (5) on the door.
 - ▶ If necessary, move the threaded bushes until the threaded bushes can be inserted easily into the drill holes.
 - ▶ Press the assembly profile (4) on the door leaf until it comes to a stop.



Proceed as follows to attach the inner handle (short plate) with the installed and aligned lever handle:

- ▶ Place the lever handle on the spindle protruding on the inside of the door.
- ▶ Press the assembly profile (1) onto the door leaf.
- ▶ Insert the long screws (2) at the top of the assembly profile and under the lever handle through the guide slot into the attachment points as shown.
- ▶ If necessary, move the long screws until they can be inserted easily into the drill hole and screwed into the threaded bushes.
- ▶ Screw the long screws into the threaded bushes so they are hand tight.
- ▶ Check the lever handle for ease of movement.
- ▶ Release the long screw on the lever handle a little if the lever handle does not move easily.
- ▶ Check the lever handle for ease of movement once again.

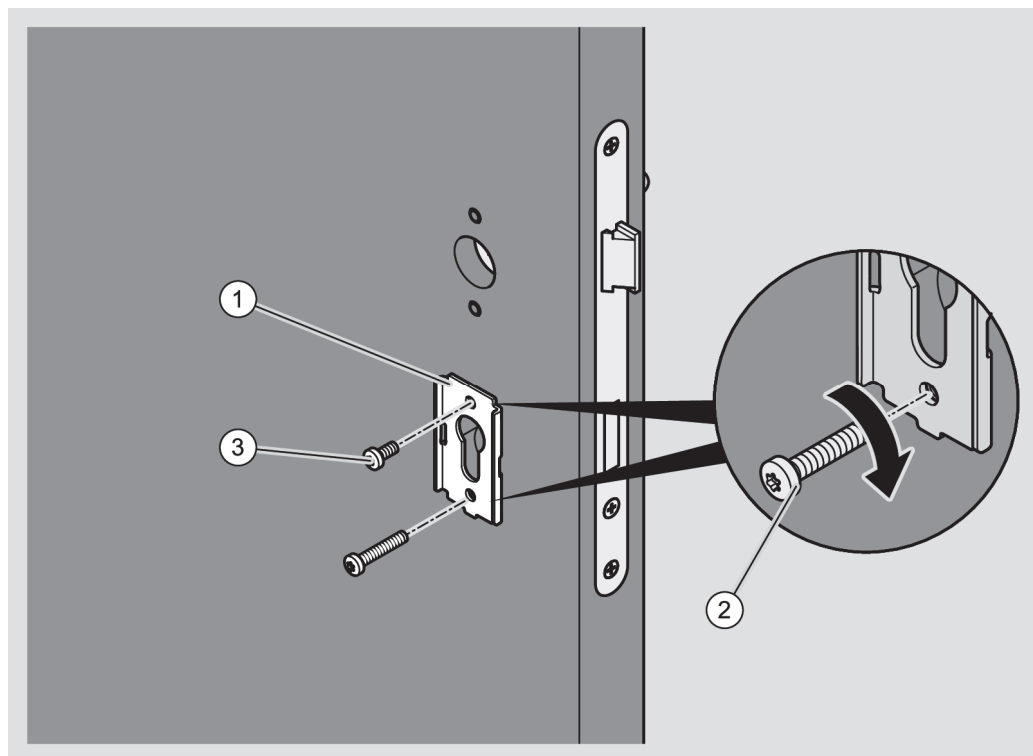


i The lever handle rosette is not shown in the section which follows.

Then attach the cylinder rosette as follows:

- ▶ Insert a long screw (2) into the lower drill hole of the assembly profile (1).
- ▶ If necessary, move the long screw until it can be inserted easily into the drill hole and screwed into the threaded bush.
- ▶ Press the assembly profile onto the door leaf.
- ▶ Screw the assembly profile through the upper drill hole of the assembly profile onto the door leaf with a short screw (3) so it is hand tight.
- ▶ Screw the long screw below into the threaded bush so it is hand tight.

i The diagram which follows shows an example of the attachment.



ATTENTION!

It is possible to damage the surface of the lever handle when fitting the cover.

- ▶ Do not use any force when installing the covers of handles.
- ▶ Twist the cover round the lever handle while fitting in order to avoid contact.
- ▶ Ensure that the cover and the lever handle do not touch when fitting the cover.

The cover of the mechanical handle is only put loosely in place on delivery. You must press the cover onto the assembly profile until it clicks audibly into place.

ATTENTION!

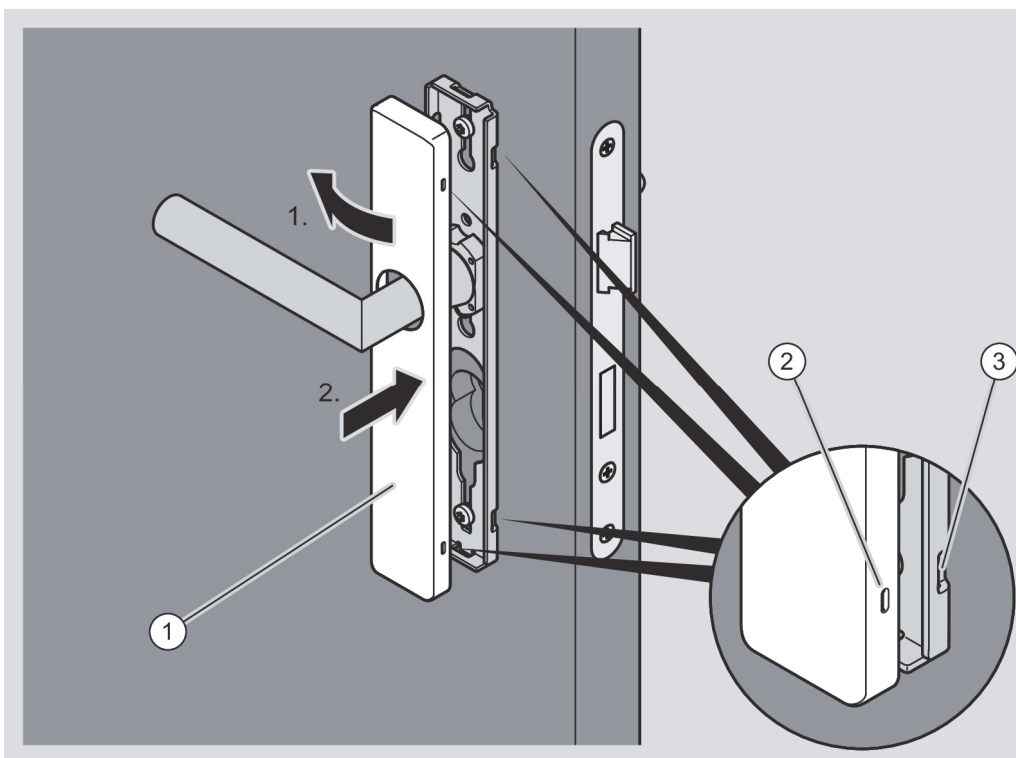
- Distortion of the cover possible due to forceful pressing.
- ▶ Press the cover carefully until it clicks into the locking points.
 - ▶ Use the heel of the hand to strike the outer edge of the cover lightly if necessary.

- ▶ Place the cover (1) over the lever handle as shown.

You must twist the cover when putting it in position if this is necessary.

- ▶ Press the cover laterally onto the assembly profile (1.) until the locking points of the cover (2) are in contact with the locking points of the assembly profile (3) (1.).
- ▶ Press the other side of the cover onto the assembly profile in such a way that the locking points audibly click into place (2.).

i The diagram which follows shows an example of the attachment.



ATTENTION!

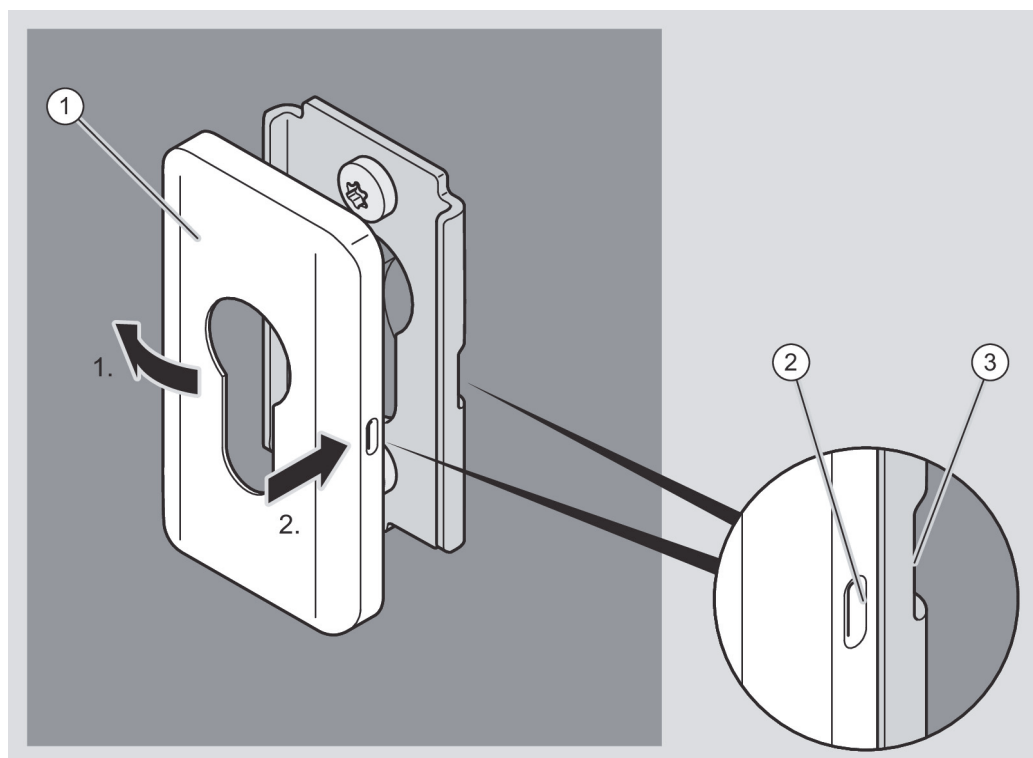
Distortion of the cover possible due to forceful pressing.

- ▶ Press the cover carefully until it clicks into the locking points.
- ▶ Use the heel of the hand to strike the edge of the cover lightly if necessary.

▶ Place the cover of the cylinder rosette (1) on the assembly profile as shown. You must twist the cover of the cylinder rosette when putting it in position if this is necessary.

▶ Press the cover of the cylinder rosette laterally onto the assembly profile (1.) until the locking point of the cover (2) is in contact with the locking point of the assembly profile (3) (1.).

▶ Press the other side of the cover onto the assembly profile in such a way that the locking point audibly clicks into place (2).



▶ Check the outer lever handle for flawless functioning (coupling).

If the outer lever handle does not couple flawlessly, align it as follows:

▶ Remove the cover of the outer handle as described in section "Removing handle" from page 251 onwards.



- ▶ Align the outer lever handle horizontally as described from page 63 onwards.

The horizontal positions of the outer lever handle and inner lever handle must match.

- ▶ Reattach the cover to the assembly profile.

Installing handle and screwing on

If you cannot attach the handle by screwing right through, you must screw it on the door with short screws. For this purpose you require two short screws for the electronic handle and two short screws for both the assembly profile of the short plates and the cylinder rosette.

Always install the lever handle fittings/rosettes first for two-part handles. Only install the cylinder rosettes once the lever handle fittings/rosettes have been installed.

- ❗ The short screws which are supplied are only suitable for metal doors with pre-cut M5 threads. You can obtain suitable screws for doors made of different material via specialist retailers.

The screws must be of the same length as the screws supplied and the heads must be uniform. The head of the short screw must be wider than the drill hole (5.5 mm). It may have a maximum diameter of 9.8 mm and a maximum height of 4 mm.

- Consult a specialist retailer for advice about suitable short screws for your door.
- ❗ You can pre-drill the screwing points in order to guarantee safe screwing.
 - ❗ If you just want to screw the assembly profile on the door with short screws, you must remove the cover prior to assembly.

ATTENTION!

It is possible to damage the surface of the lever handle when removing the cover.

- ▶ Do not use any force when removing covers from handles.
- ▶ Twist the cover round the lever handle while pulling it off in order to avoid contact.

ATTENTION!


Damage to the electronic components of the handle due to contact possible.

- ▶ Do not touch the electronic components of the handle.
- ▶ Touch an earthed object made of metal to discharge any electrostatic charge before continuing work.

A heater or tap are examples of suitable earthed objects.

- ▶ If necessary remove the cover from the electronic assembly profile as described from page 254 onwards.

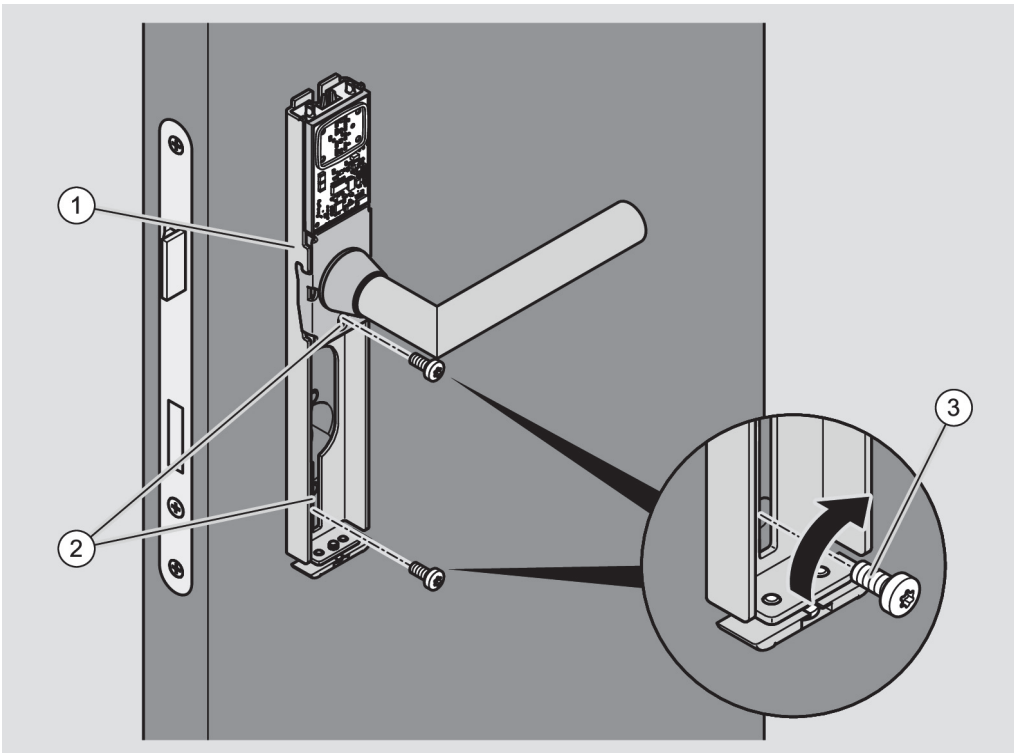
You must attach the spindle and lever handle to the handle prior to attaching the handle in position.

 The attachment of the lever handle to the electronic handle is described from page 63 onwards.

The attachment of the spindle is described from page 67 onwards.

The attachment of the spindle with reducing bushes is described from page 70 onwards.

- ▶ Align the lever handle on the electronic handle as desired.
- ▶ Insert the spindle in the electronic assembly profile (1) on the outside into the spindle hub.
- ▶ Press the assembly profile on the door leaf until it comes to a stop.
- ▶ Insert two suitable short screws (3) into the centre and lower drill hole (2).
- ▶ Tighten the centre short screw so it is hand tight.
- ▶ Tighten the lower short screw so it is hand tight.
- ▶ Check the lever handle for ease of movement.
- ▶ Release the centre short screw a little if the lever handle does not move easily.
- ▶ Check the lever handle for ease of movement once again.



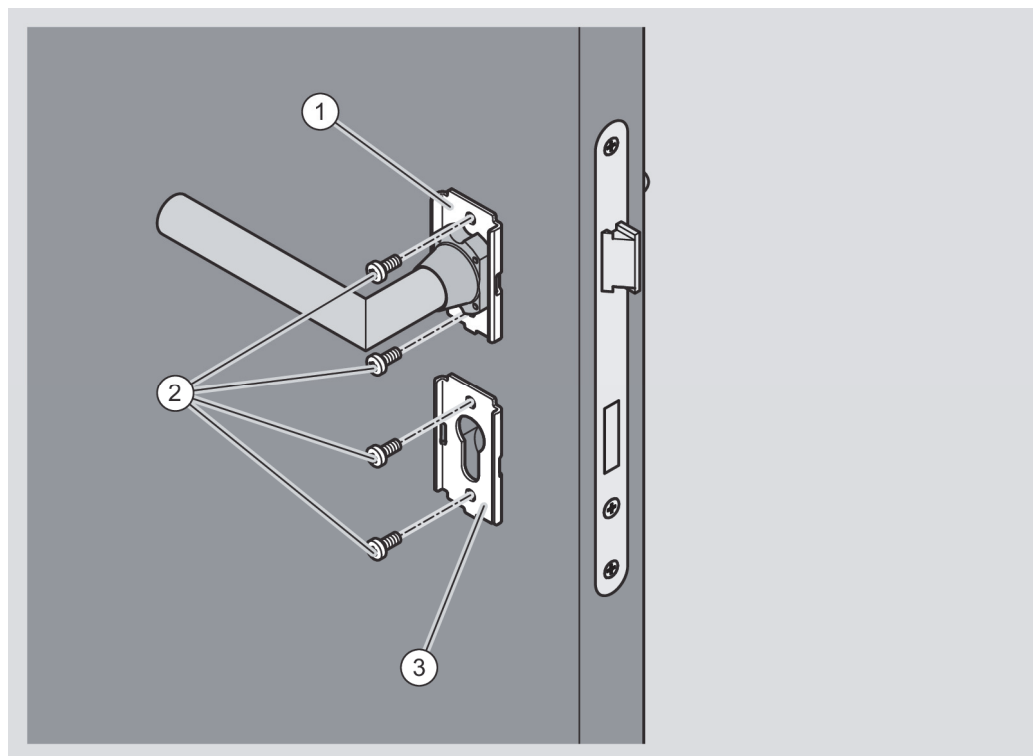
- ▶ Ensure that the lever handle on the inside handle is aligned correctly (see page 61).
- ▶ When using adapter sleeves, make sure that these are attached correctly (see page 70).

Proceed as follows to attach the inner handle with the installed and aligned lever handle:

- ▶ Place the lever handle on the spindle protruding on the inside of the door.
- ▶ Press the assembly profile (1) onto the door leaf.
- ▶ Insert two short screws (2) into the assembly profile at the top and bottom as shown as an example.
- ▶ Screw both short screws into the door leaf so they are hand tight.
- ▶ Check the lever handle for ease of movement.
- ▶ Release the short screw below the lever handle a little if the lever handle does not move easily.
- ▶ Check the lever handle for ease of movement once again.

Then attach the cylinder rosette as follows:

- ▶ If necessary remove the cover from the assembly profile as described from page 251 onwards.
- ▶ Insert a short screw (2) into the upper and lower drill hole of the assembly profile (3).
- ▶ Press the assembly profile onto the door leaf.
- ▶ Screw the assembly profile onto the door leaf with the short screws so it is hand tight.



ATTENTION!

It is possible to damage the surface of the lever handle when fitting the cover.

- ▶ Do not use any force when installing the covers of handles.
- ▶ Twist the cover round the lever handle while fitting in order to avoid contact.
- ▶ Ensure that the cover and the lever handle do not touch when fitting the cover.

i An electronic GUARD Slimline Compact is presented in the following section. The procedure for other electronic handles is the same as the one described here.

- ▶ Place the cover over the lever handle.

You must twist the cover if this is necessary.

- ▶ Place the cover (1) on the assembly profile from above first of all as shown.
- ▶ Then press the cover onto the assembly profile from above and below (1.).
- ▶ Ensure that the recess at the bottom of the cover is correctly positioned on the cover closure.

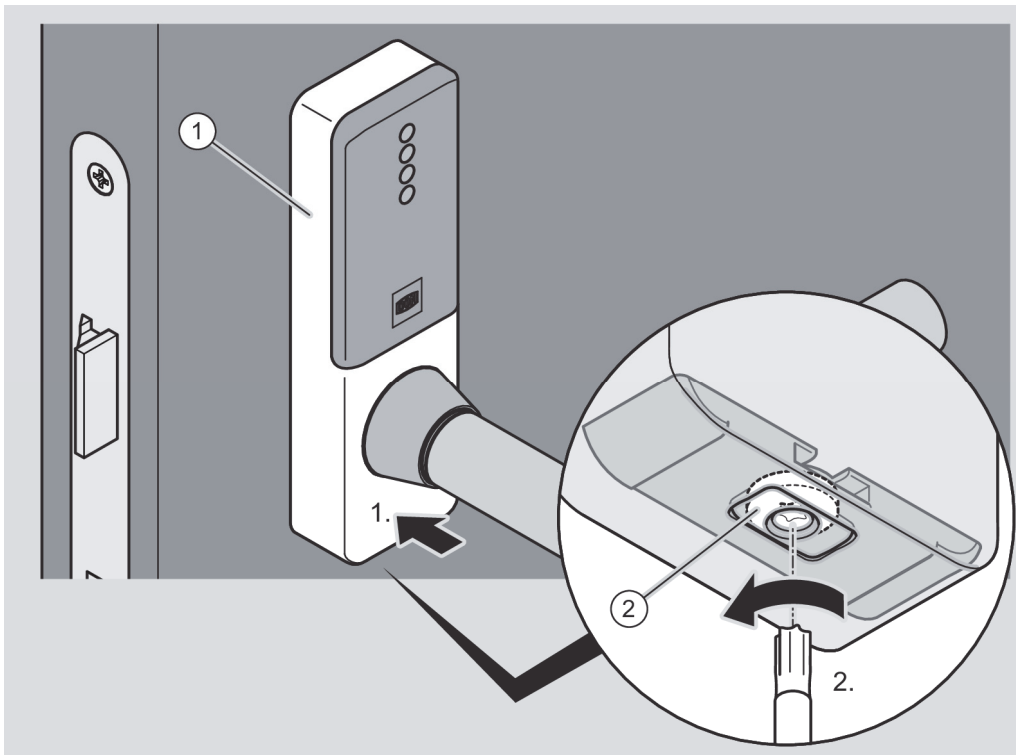
ATTENTION!

Damage to the cover possible due to excessive tightening of the screw.

- ▶ Only tighten the screw (2) so that the plate of the cover closure holds the cover securely.

- ▶ Turn the screw (2) on the underside of the cover in an anticlockwise direction to close the cover closure (2.).

The plate of the cover closure is pushed into the recess on the cover and it locks the cover.




The cover of the mechanical handle is only put loosely in place on delivery. You must press the cover onto the assembly profile until it clicks audibly into place.

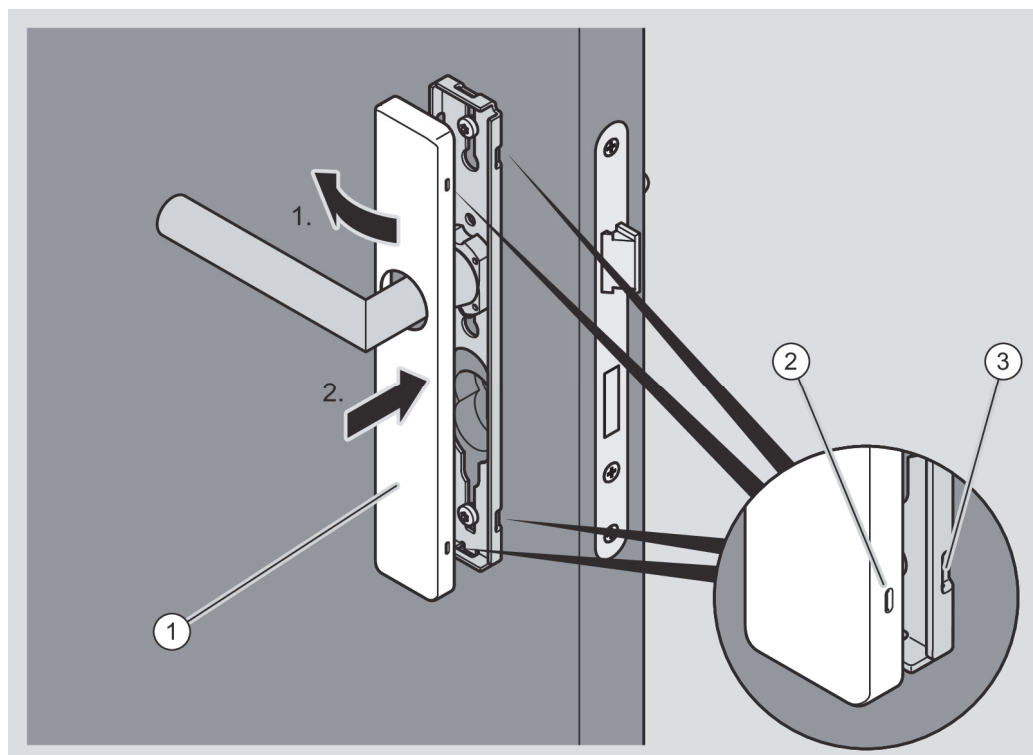
ATTENTION!	
	Distortion of the cover possible due to forceful pressing. <ul style="list-style-type: none"> ▶ Press the cover carefully until it clicks into the locking points. ▶ Use the heel of the hand to strike the outer edge of the cover lightly if necessary.


- ▶ Place the cover (1) over the lever handle as shown.

You must twist the cover when putting it in position if this is necessary.

- ▶ Press the cover laterally onto the assembly profile (1.) until the locking points of the cover (2) are in contact with the locking points of the assembly profile (3) (1.).
- ▶ Press the other side of the cover onto the assembly profile in such a way that the locking points audibly click into place (2.).

 The diagram which follows shows an example of the attachment.

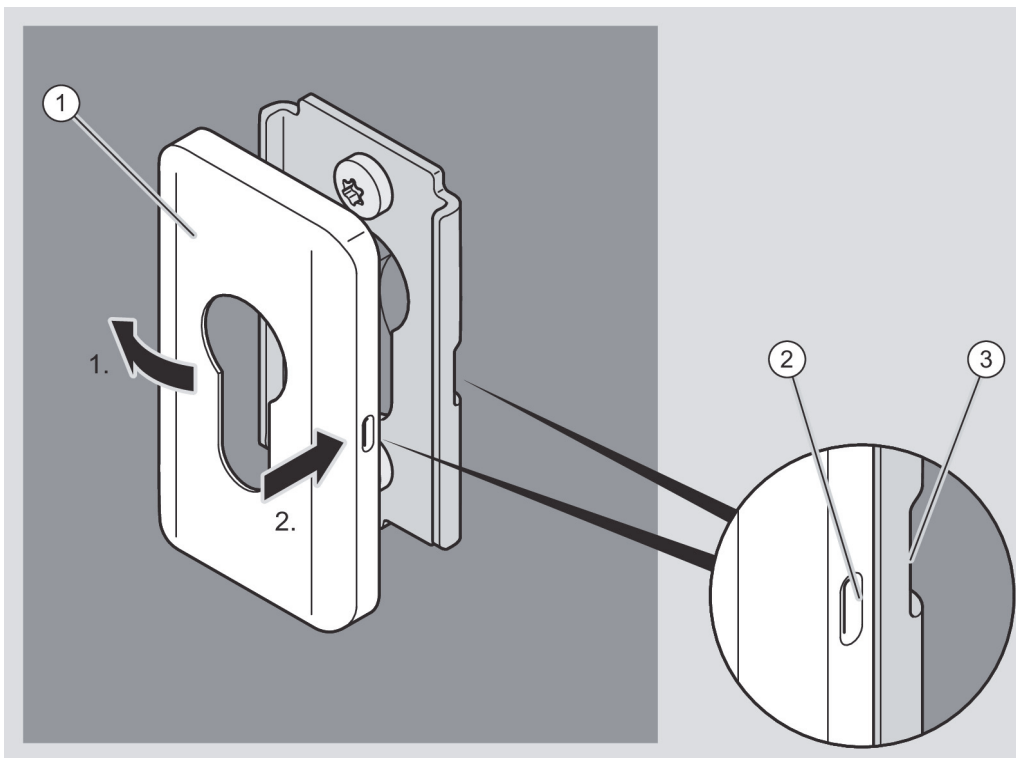


 The attachment of the cover to a Compact Slimline is presented in the section which follows. The procedure for other handles is no different from the one described here.

ATTENTION!

- Distortion of the cover possible due to forceful pressing.
- ▶ Press the cover carefully until it clicks into the locking points.
 - ▶ Use the heel of the hand to strike the edge of the cover lightly if necessary.

- ▶ Place the cover of the cylinder rosette (1) on the assembly profile as shown. You must twist the cover of the cylinder rosette when putting it in position if this is necessary.
- ▶ Press the cover of the cylinder rosette laterally onto the assembly profile (1.) until the locking point of the cover (2) is in contact with the locking point of the assembly profile (3) (1.).
- ▶ Press the other side of the cover onto the assembly profile in such a way that the locking point audibly clicks into place (2).



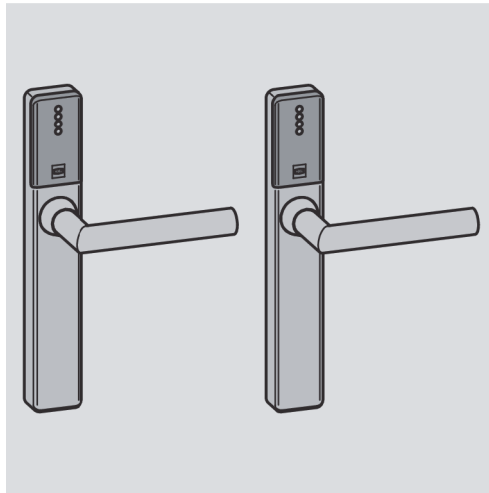
- ▶ Check the outer lever handle for flawless functioning (coupling). If the outer lever handle does not couple flawlessly, align it as follows:
- ▶ Remove the cover of the outer handle as described in section "Removing handle" from page 251 onwards.

- ▶ Align the outer lever handle horizontally as described from page 63 onwards.

The horizontal positions of the outer lever handle and inner lever handle must match.

- ▶ Reattach the cover to the assembly profile.

GUARD Slimline set reading on both sides



Installing handle and screwing right through

You must attach the spindle and lever handle to the handle prior to attaching the handle in position.

- ❗ The attachment of the lever handle to the electronic handle is described from page 63 onwards.
The attachment of the spindle is described from page 67 onwards.
The attachment of the spindle with reducing bushes is described from page 70 onwards.

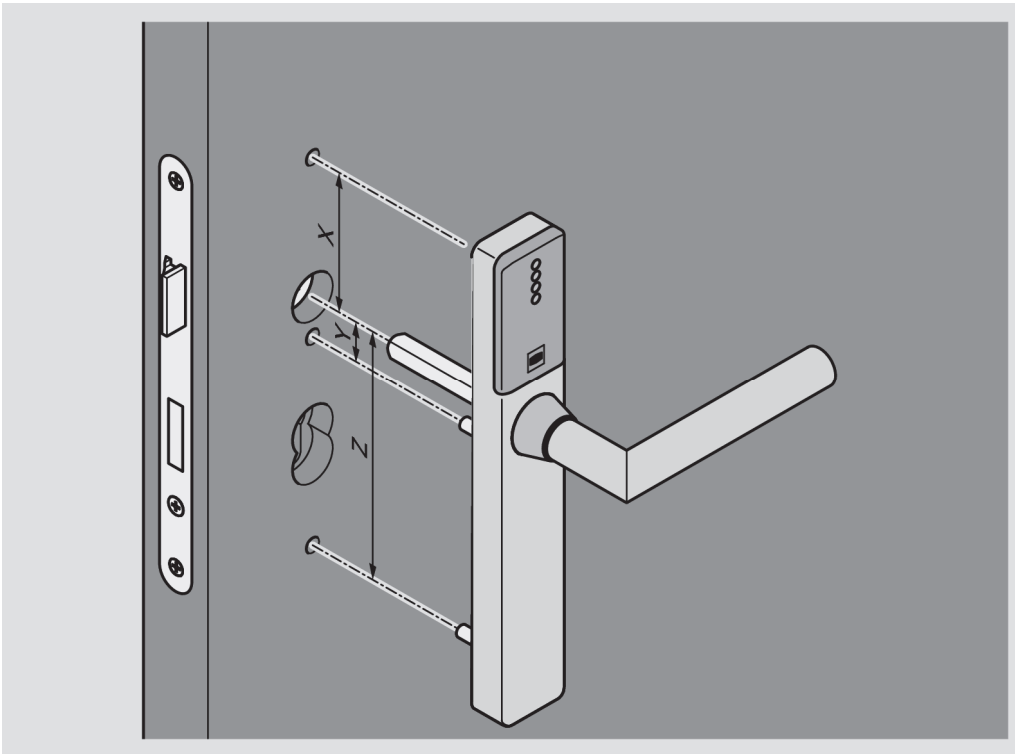
- ▶ Ensure that the spindle is of the correct length as described from page 68 onwards.

The assembly profiles are attached on both sides of the door and screwed together. Threaded bushes are inserted into the outer assembly profile for this purpose. The inner assembly profile is attached with long screws which are screwed into these threaded bushes.

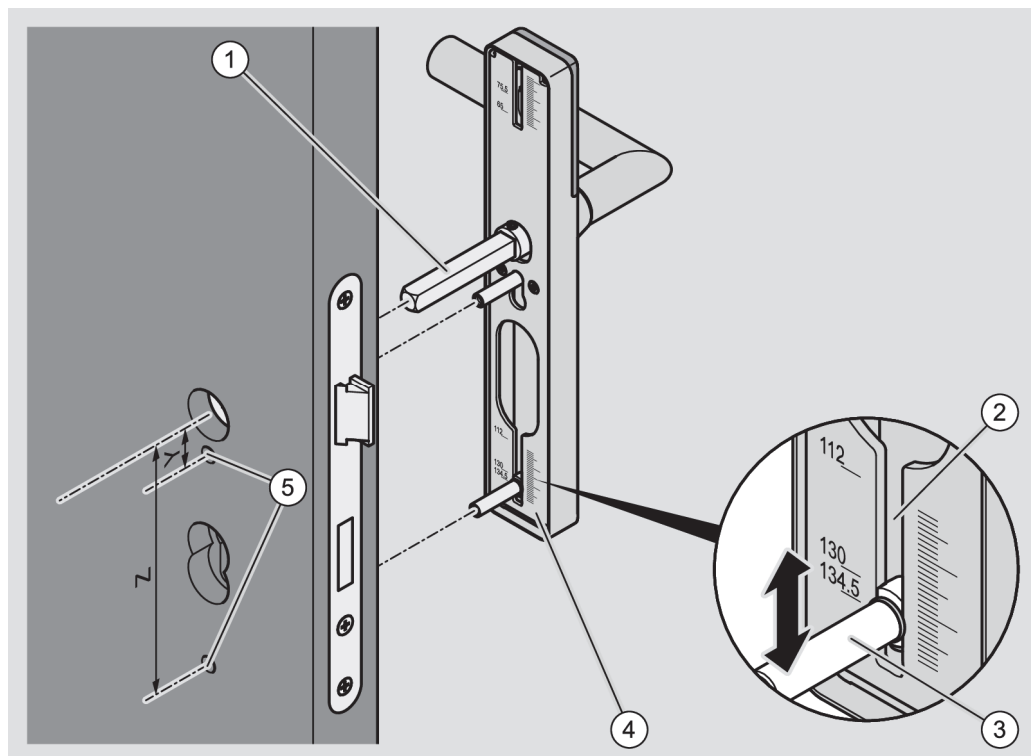
The position of the screw connections depends on the position of the drill holes which are present on the door and the lock. Guide slots are present in the assembly profiles in which the screw connections can be moved to the correct positions. Corresponding scales are attached alongside the guide slots for this purpose.

- ▶ Measure the distance “Y” between the middle of the coupling nut and the drill hole in the door leaf below the coupling nut.
- ▶ Measure the distance “Z” between the middle of the coupling nut and the lower drill hole in the door leaf.

The measurement “X” between the middle of the coupling nut and the upper drill hole in the door leaf is not relevant for this screw connection.



- ▶ Insert the two threaded bushes (3) through the respective recesses into the two lower guide slots (2) in the assembly profile (4) as shown.
 - ▶ Push the threaded bushes to the desired positions in line with the measurements established.
- i** Scales are attached on the inside of the assembly profile next to the upper and lower guide slot for this purpose.
- ▶ Insert the spindle (1) into the spindle hub.
 - ▶ Insert the threaded bushes into the drill holes (5) on the door.
 - ▶ If necessary, move the threaded bushes until the threaded bushes can be inserted easily into the drill holes.
 - ▶ Press the assembly profile (4) onto the door leaf.





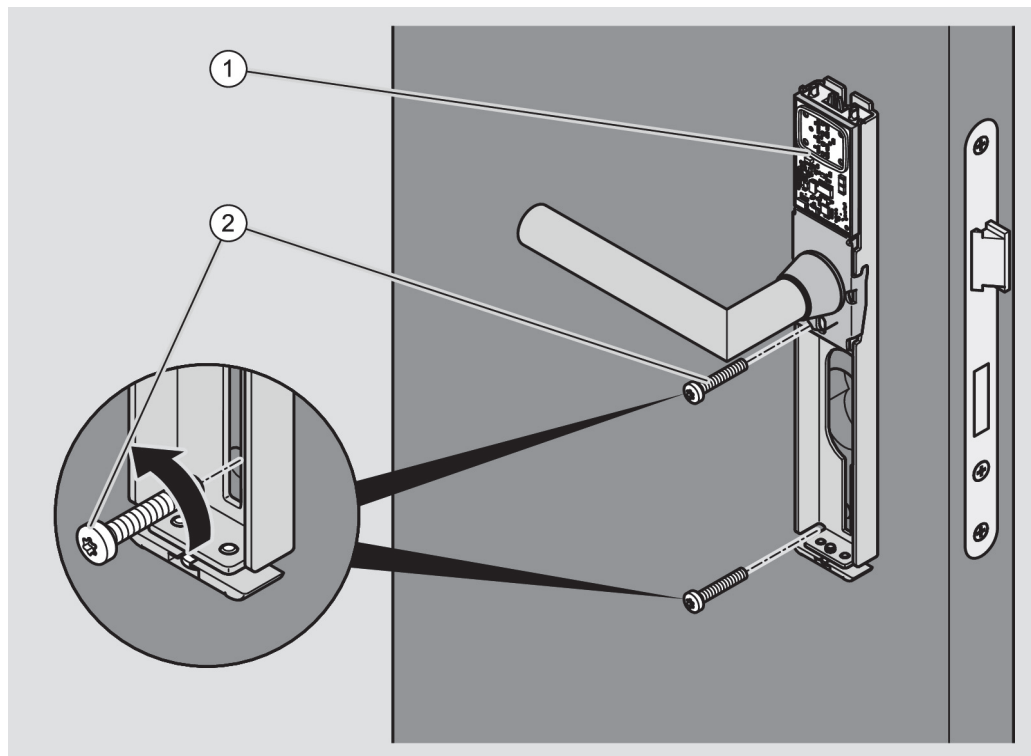
It is necessary to remove the cover from the handle to install the electronic handle on the inside. Proceed as follows for this purpose.

ATTENTION!	
	<p>It is possible to damage the surface of the lever handle when removing the cover.</p> <ul style="list-style-type: none"> ▶ Do not use any force when removing covers from handles. ▶ Twist the cover round the lever handle while pulling it off in order to avoid contact.

ATTENTION!	
	<p>Damage to the electronic components of the handle due to contact possible.</p> <ul style="list-style-type: none"> ▶ Do not touch the electronic components of the handle. ▶ Touch an earthed object made of metal to discharge any electrostatic charge before continuing work.

A heater or tap are examples of suitable earthed objects.

- ▶ If necessary remove the cover from the electronic assembly profile as described from page 254 onwards.
- ▶ Place the inner handle with lever handle on the protruding spindle.
- ▶ Insert the two long screws (2) into the centre and lower guide slot of the inner assembly profile (1) as shown.
- ▶ Push the long screws to the desired position in line with the measurements established.
- ▶ Insert the long screws into the drill holes on the door.
- ▶ If necessary, move the long screws until they can be inserted easily into the drill holes.
- ▶ Press the assembly profile (1) onto the door leaf.
- ▶ Screw the long screws in so they are hand tight.



► Check the outer lever handle for flawless functioning (coupling).

If the outer lever handle does not couple flawlessly, align it as follows:

- Remove the cover of the outer handle as described in section “Removing handle” from page 251 onwards.
- Align the outer lever handle horizontally as described from page 63 onwards.

The horizontal positions of the outer lever handle and inner lever handle must match.

- Reattach the cover to the assembly profile.



Installing handle and screwing on

- i** It is also possible to attach the assembly profiles to the door with short screws as an alternative to screwing all the way through (“Screwing on”). You must remove the cover for this screw connection. The assembly profiles are screwed onto the door with short screws in the drill holes. It is necessary to attach the covers back on the assembly profiles following assembly. The assembly for this screw connection takes place in the same way as for the long plate screw connection.

- i** The short screws which are supplied are only suitable for metal doors with pre-cut M5 threads. You can obtain suitable screws for doors made of different material via specialist retailers. The screws must be of the same length as the screws supplied and the heads must be uniform. The head of the short screw must be wider than the drill hole (5.5 mm). It may have a maximum diameter of 9.8 mm and a maximum height of 4 mm.

 - Consult a specialist retailer for advice about suitable short screws for your door.

- i** You can pre-drill the screwing points in order to guarantee safe screwing.

You must attach the spindle and lever handle to the handle prior to attaching the handle in position.

- i** The attachment of the lever handle to the electronic handle is described from page 63 onwards.
The attachment of the spindle is described from page 67 onwards.
The attachment of the spindle with reducing bushes is described from page 70 onwards.

 - ▶ Ensure that the spindle is of the correct length as described from page 68 onwards.
 - ▶ Prepare the electronic handle for the inside of the door in the same way.

- i** An electronic GUARD Slimline Compact is presented in the following section. The procedure for other electronic handles is the same as the one described here.

**ATTENTION!**

It is possible to damage the surface of the lever handle when removing the cover.

- ▶ Do not use any force when removing covers from handles.
- ▶ Twist the cover round the lever handle while pulling it off in order to avoid contact.

ATTENTION!

Damage to the electronic components of the handle due to contact possible.

- ▶ Do not touch the electronic components of the handle.
- ▶ Touch an earthed object made of metal to discharge any electrostatic charge before continuing work.

A heater or tap are examples of suitable earthed objects.

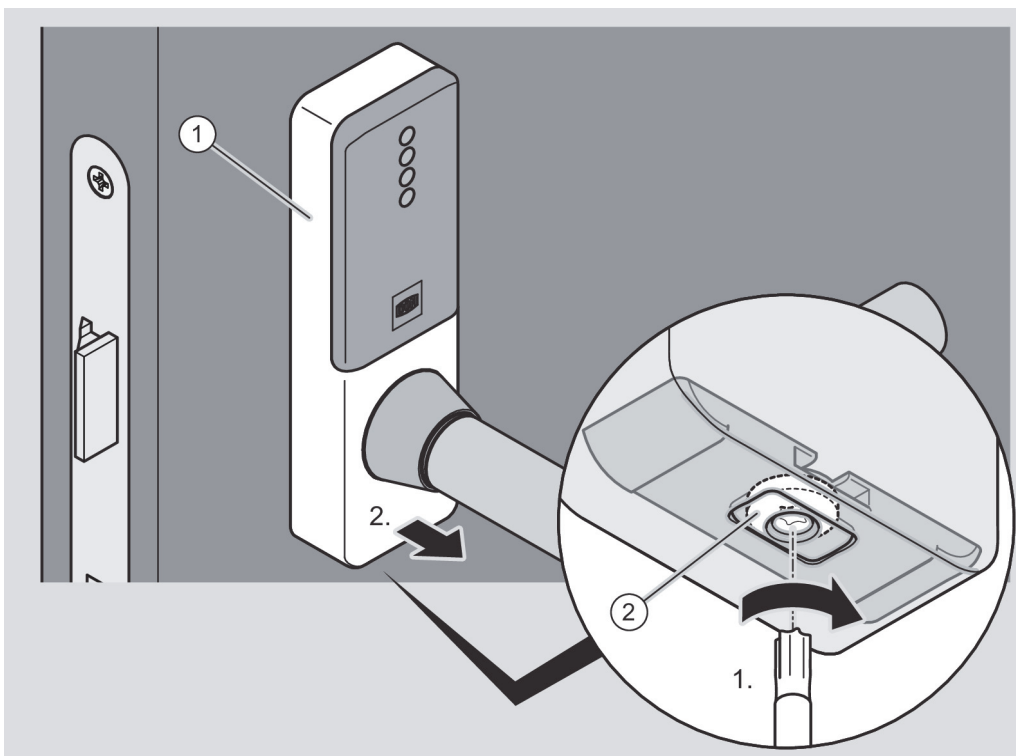
You will require a Torx10 screwdriver to release the screw on the cover closure.

Proceed as follows to remove the cover from the electronic handle:

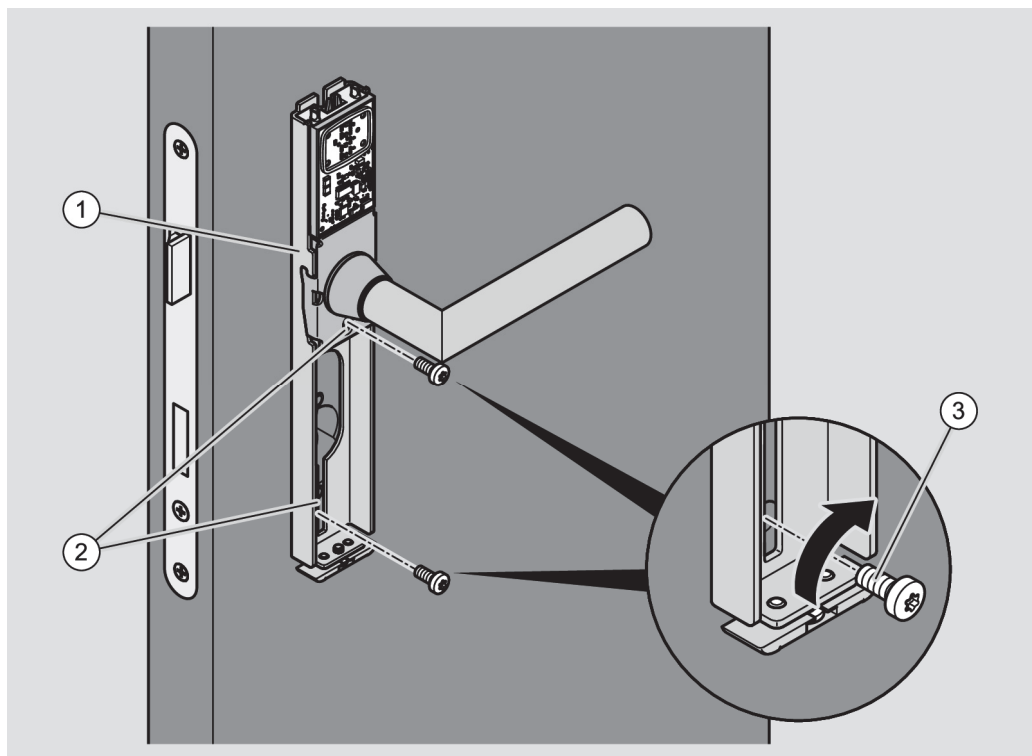
- ▶ Turn the screw (2) on the underside of the cover as seen from below in a clockwise direction (1) to open the cover closure.

The locking block moves inwards.

- ▶ Lift the cover (1) away from the assembly profile at the bottom (2.).
- ▶ Lift the cover away from the assembly profile at the top.
- ▶ Pull the cover carefully over the lever handle while rotating it.



- ▶ Align the lever handle on the electronic handle as desired.
- ▶ Insert the spindle in the electronic assembly profile (1) on the outside into the spindle hub.
- ▶ Press the assembly profile on the door leaf until it comes to a stop.
- ▶ Insert two suitable short screws (3) into the centre and lower drill hole (2).
- ▶ Tighten the centre short screw so it is hand tight.
- ▶ Tighten the lower short screw so it is hand tight.
- ▶ Check the lever handle for ease of movement.
- ▶ Release the centre short screw a little if the lever handle does not move easily.
- ▶ Check the lever handle for ease of movement once again.



- ▶ Remove the other cover on the assembly profile in the same way.
- ▶ Fit the assembly profile on the inside in the same way.



ATTENTION!

It is possible to damage the surface of the lever handle when fitting the cover.

- ▶ Do not use any force when installing the covers of handles.
- ▶ Twist the cover round the lever handle while fitting in order to avoid contact.
- ▶ Ensure that the cover and the lever handle do not touch when fitting the cover.

- ▶ Place the cover over the lever handle.

You must twist the cover if this is necessary.

- ▶ Place the cover (1) on the assembly profile from above first of all as shown.
- ▶ Then press the cover onto the assembly profile from above and below (1.).
- ▶ Ensure that the recess at the bottom of the cover is correctly positioned on the cover closure.

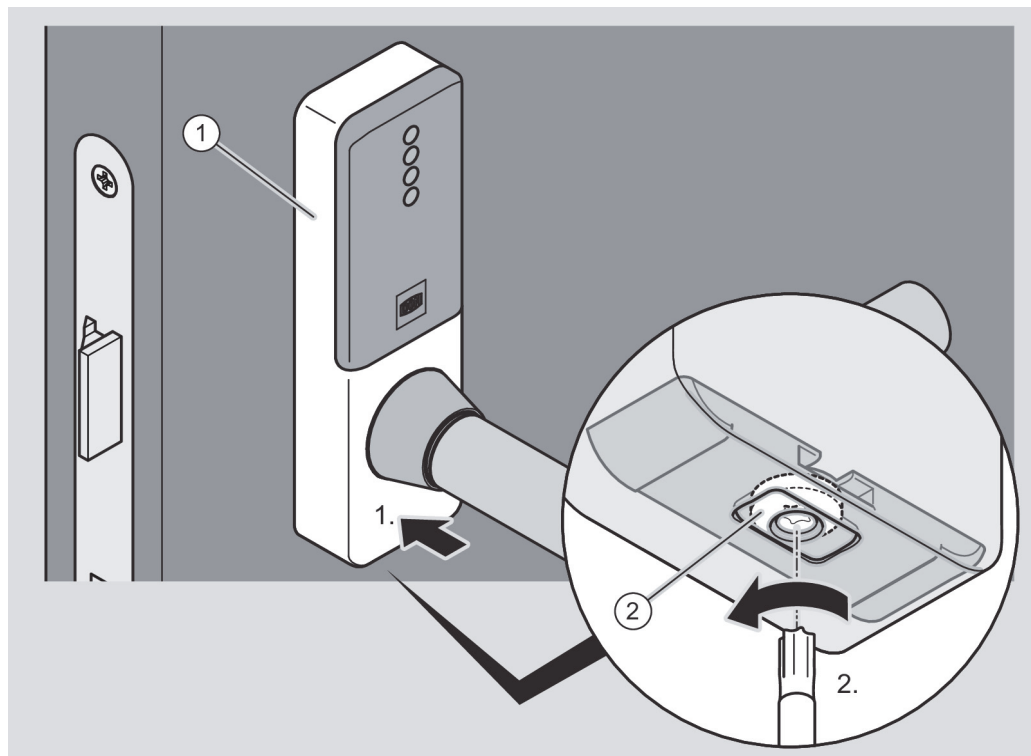
ATTENTION!

Damage to the cover possible due to excessive tightening of the screw.

- ▶ Only tighten the screw (2) so that the plate of the cover closure holds the cover securely.

- ▶ Turn the screw (2) on the underside of the cover in an anticlockwise direction to close the cover closure (2.).

The plate of the cover closure is pushed into the recess on the cover and it locks the cover.



- ▶ Attach the other cover on the assembly profile in the same way.
- ▶ Check the outer lever handle for flawless functioning (coupling).

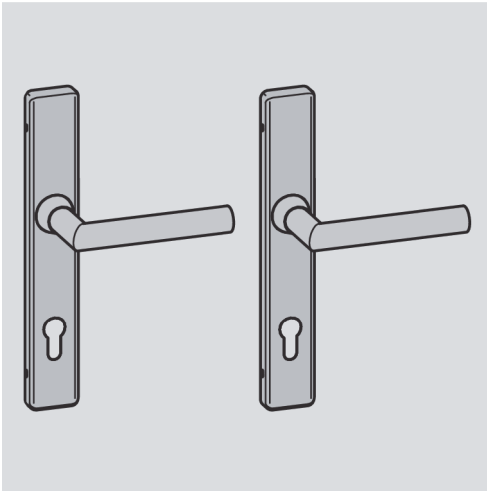
If the outer lever handle does not couple flawlessly, align it as follows:

- ▶ Remove the cover of the outer handle as described in section “Removing handle” from page 251 onwards.
- ▶ Align the outer lever handle horizontally as described from page 63 onwards.

The horizontal positions of the outer lever handle and inner lever handle must match.

- ▶ Reattach the cover to the assembly profile.

Mechanical GUARD Slimline set



Installing handle and screwing right through

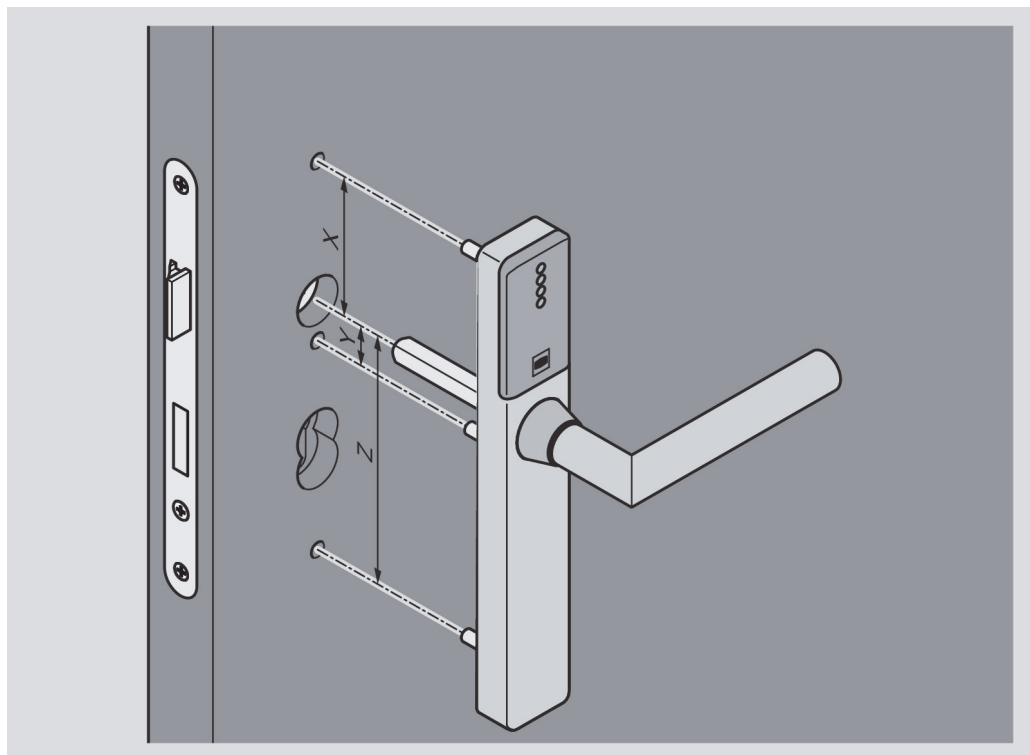
You must attach the spindle on the handle and align the lever handle prior to attaching the handle.

- ❗ The alignment of the lever handle on the handle is described from page 61 onwards.
The attachment of the spindle is described from page 67 onwards.
The attachment of the spindle with reducing bushes is described from page 70 onwards.
- ❗ An electronic GUARD Slimline long plate is presented in the section which follows.

The assembly profiles are attached on both sides of the door and screwed together. Threaded bushes are inserted into the outer assembly profile for this purpose. The inner assembly profile is attached with long screws which are screwed into the threaded bushes.

The position of the screw connections depends on the position of the drill holes which are present on the door and the lock. Guide slots are present in the assembly profiles in which the threaded bushes can be moved to the correct positions for the corresponding attachment points. Corresponding scales are attached alongside the guide slots for this purpose.

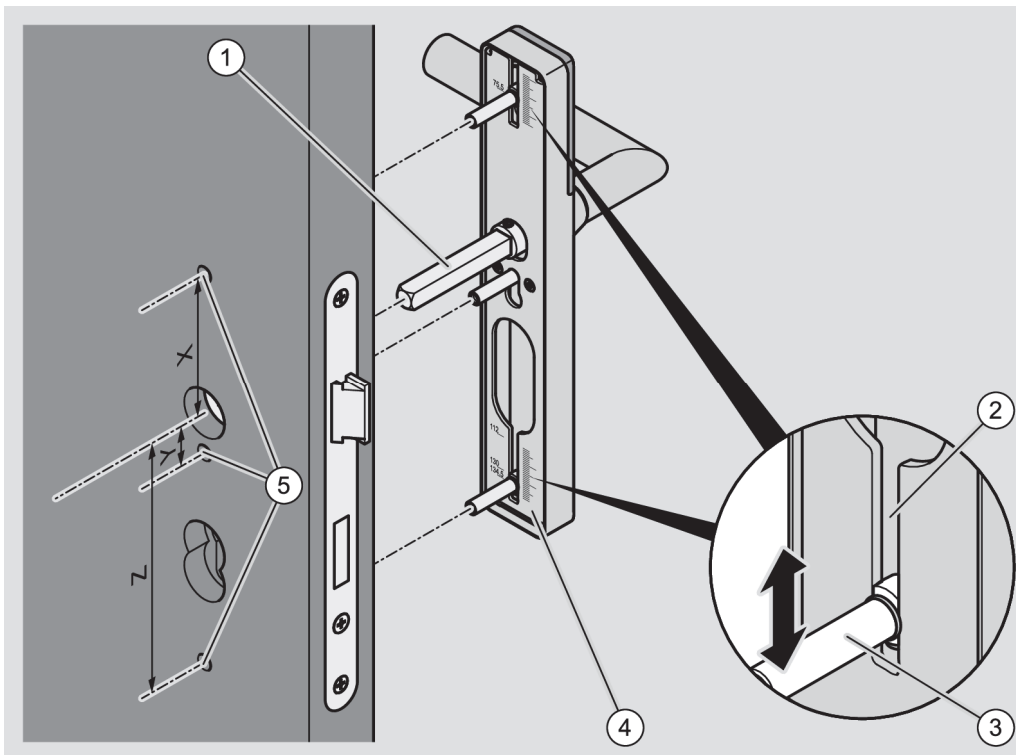
- ▶ Measure the distance “X” between the middle of the coupling nut and the upper attachment point in the door leaf.
- ▶ Measure the distance “Y” between the middle of the coupling nut and the attachment point below the coupling nut.
- ▶ Measure the distance “Z” between the middle of the coupling nut and the lower attachment point in the door leaf.



i The procedure for “Screwing long plate” is described and presented in the section which follows. In this case screwing occurs with three threaded bushes and long screws through the door leaf (“Screwing all the way through”).

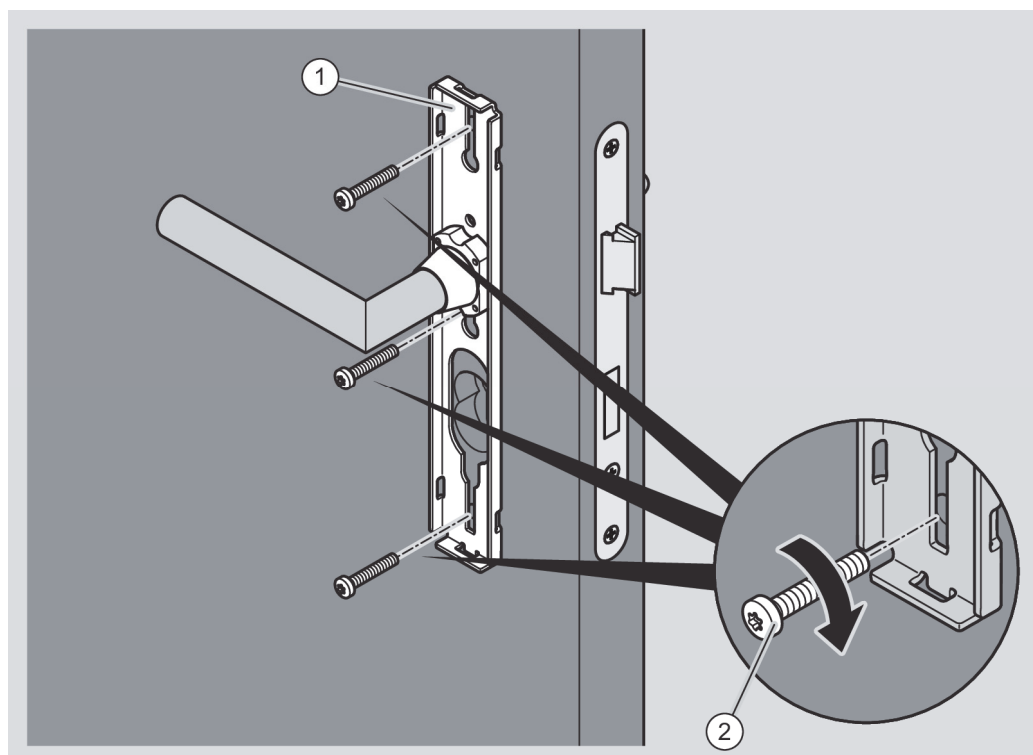
Screwing at just two attachment points may occur depending on regional conditions and the attachment points which are available.

- ▶ Insert the three threaded bushes (2) through the respective recess into the guide slots (3) in the assembly profile on the outside of the door as shown.
 - ▶ Push the threaded bushes to the desired positions in line with the measurements established.
- i** Scales are attached on the inside of the assembly profile next to the upper and lower guide slot for this purpose.
- ▶ Guide the spindle (1) into the spindle hub and the threaded bushes into the drill holes (5) on the door.
 - ▶ If necessary, move the threaded bushes until the threaded bushes can be inserted easily into the drill holes.
 - ▶ Press the assembly profile (4) on the door leaf until it comes to a stop.



Proceed as follows to attach the inner handle with the installed and aligned lever handle:

- ▶ Place the lever handle on the spindle protruding on the inside of the door.
- ▶ Press the assembly profile (1) onto the door leaf.
- ▶ Insert the three long screws (2) through the guide slots on the assembly profile into the drill holes of the attachment points as shown.
- ▶ If necessary, move the long screws until they can be inserted easily into the drill holes and screwed into the threaded bushes.
- ▶ Screw the three long screws into the threaded bushes so they are hand tight.
- ▶ Check the lever handle for ease of movement.
- ▶ Release the centre long screw a little if the lever handle does not move easily.
- ▶ Check the lever handle for ease of movement once again.



ATTENTION!

It is possible to damage the surface of the lever handle when fitting the cover.

- ▶ Do not use any force when installing the covers of handles.
- ▶ Twist the cover round the lever handle while fitting in order to avoid contact.
- ▶ Ensure that the cover and the lever handle do not touch when fitting the cover.

The cover of the mechanical handle is only put loosely in place on delivery. You must press the cover onto the assembly profile until it clicks audibly into place.

ATTENTION!

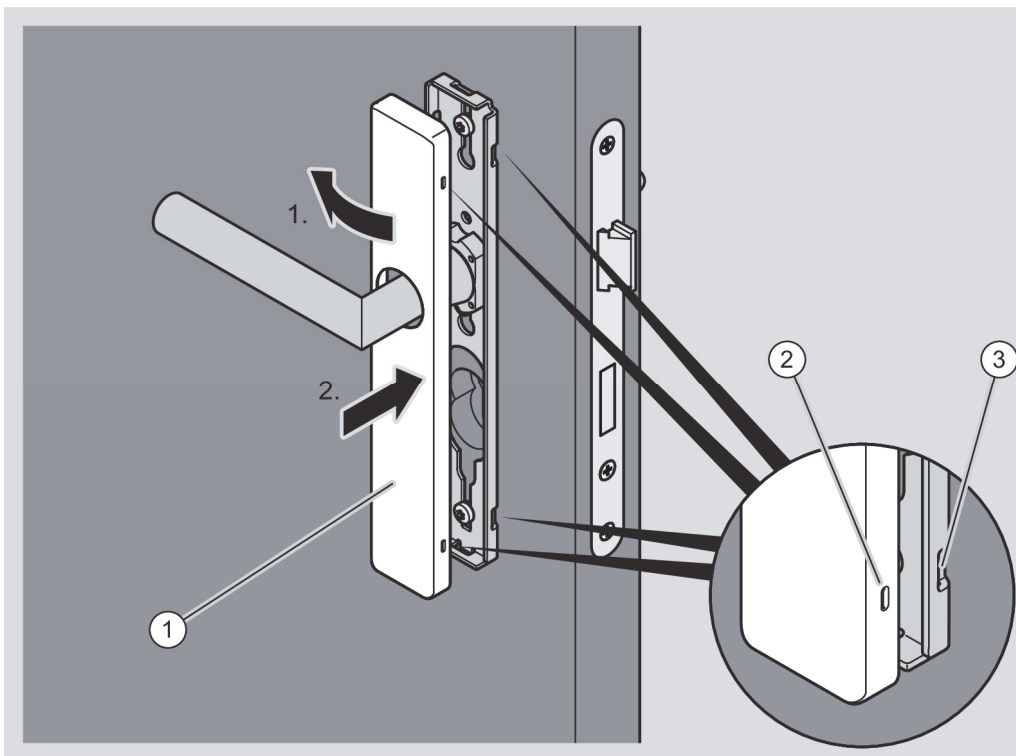
- Distortion of the cover possible due to forceful pressing.
- ▶ Press the cover carefully until it clicks into the locking points.
 - ▶ Use the heel of the hand to strike the outer edge of the cover lightly if necessary.

- ▶ Place the cover (1) over the lever handle as shown.

You must twist the cover when putting it in position if this is necessary.

- ▶ Press the cover laterally onto the assembly profile (1.) until the locking points of the cover (2) are in contact with the locking points of the assembly profile (3) (1.).
- ▶ Press the other side of the cover onto the assembly profile in such a way that the locking points audibly click into place (2.).

 The diagram which follows shows an example of the attachment.



- ▶ Attach the other cover on the assembly profile in the same way.

Installing handle and screwing on

If you cannot attach the handle by screwing right through, you must screw it on the door with short screws. You will require three short screws per handle for this purpose.

- i The short screws which are supplied are only suitable for metal doors with pre-cut M5 threads. You can obtain suitable screws for doors made of different material via specialist retailers.

The screws must be of the same length as the screws supplied and the heads must be uniform. The head of the short screw must be wider than the drill hole (5.5 mm). It may have a maximum diameter of 9.8 mm and a maximum height of 4 mm.

- Consult a specialist retailer for advice about suitable short screws for your door.

- i You can pre-drill the screwing points in order to guarantee safe screwing.

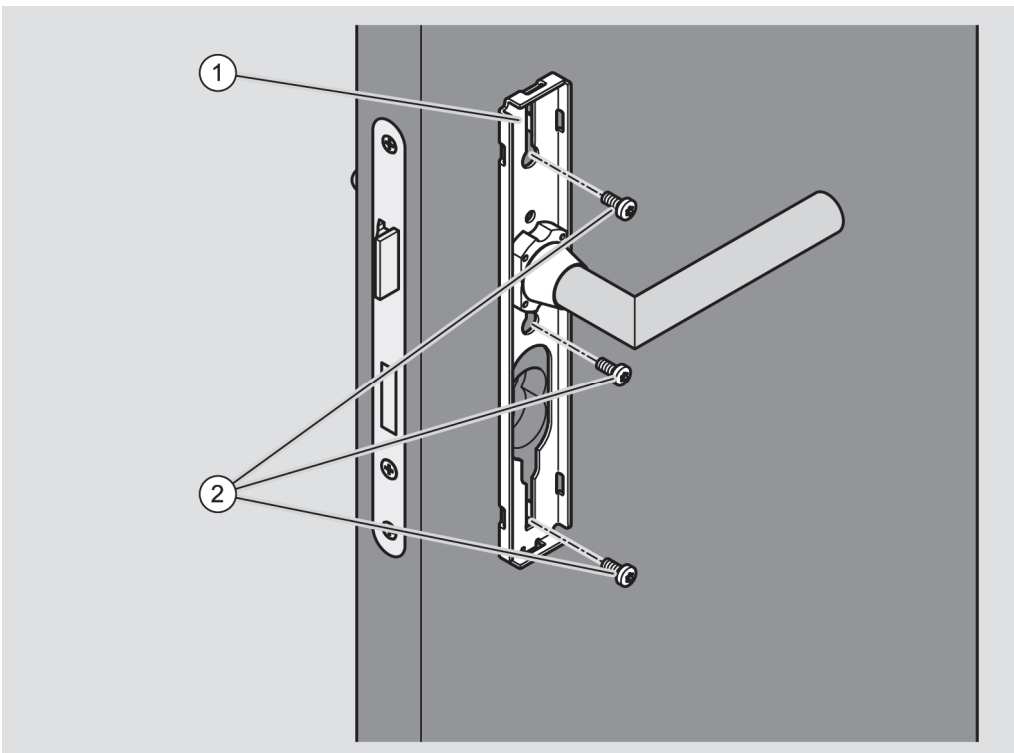
ATTENTION!	
	<p>It is possible to damage the surface of the lever handle when removing the cover.</p> <ul style="list-style-type: none"> ▶ Do not use any force when removing covers from handles. ▶ Twist the cover round the lever handle while pulling it off in order to avoid contact.

- ▶ If necessary remove the cover from the assembly profile as described from page 251 onwards.

You must attach the spindle on the handle and align the lever handle prior to attaching the handle.

- i The alignment of the lever handle on the handle is described from page 61 onwards.
 The attachment of the spindle is described from page 67 onwards.
 The attachment of the spindle with reducing bushes is described from page 70 onwards.

- ▶ Place the assembly profile (1) with spindle on the outside of the door so that the spindle is seated in the spindle hub.
- ▶ Insert the three short screws (2) through the guide slots into the screw attachment points on the door.
- ▶ If necessary, move the short screws in the guide slots until they can be inserted easily into the screw attachment points.
- ▶ Press the assembly profile onto the door leaf.
- ▶ Tighten the three short screws so they are hand tight.
- ▶ Check the lever handle for ease of movement.
- ▶ Release the centre short screw a little if the lever handle does not move easily.
- ▶ Check the lever handle for ease of movement once again.



- ▶ Fit the assembly profile on the inside onto the door leaf in the same way.

ATTENTION!

It is possible to damage the surface of the lever handle when fitting the cover.

- ▶ Do not use any force when installing the covers of handles.
- ▶ Twist the cover round the lever handle while fitting in order to avoid contact.
- ▶ Ensure that the cover and the lever handle do not touch when fitting the cover.


The cover of the mechanical handle is only put loosely in place on delivery. You must press the cover onto the assembly profile until it clicks audibly into place.

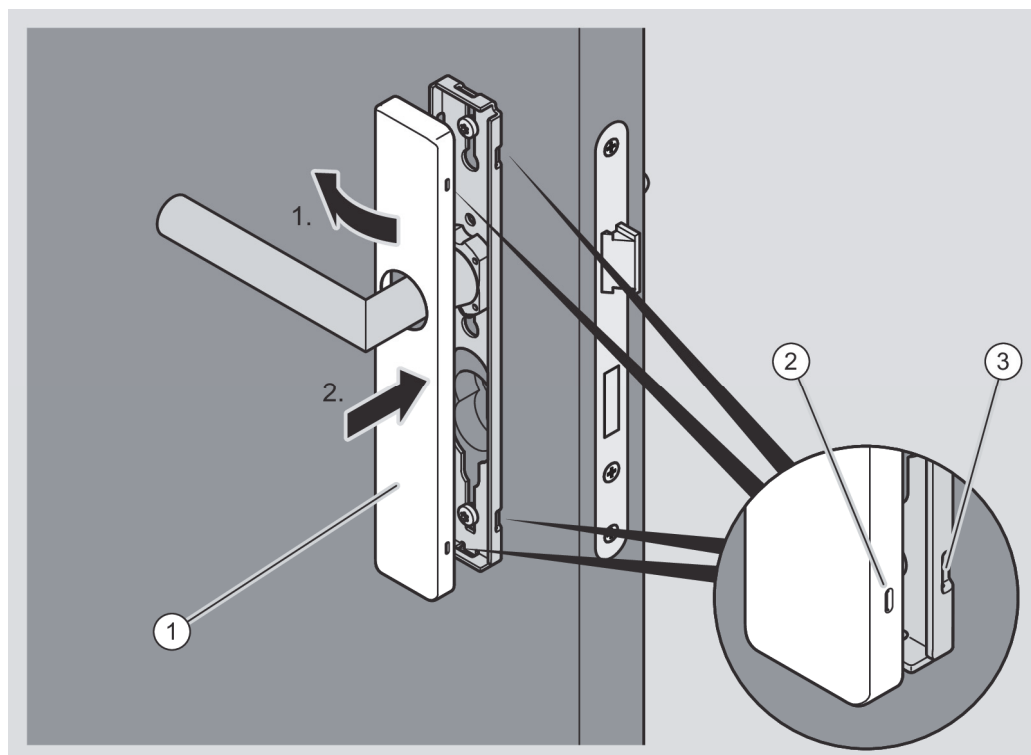
ATTENTION!	
	Distortion of the cover possible due to forceful pressing. <ul style="list-style-type: none"> ▶ Press the cover carefully until it clicks into the locking points. ▶ Use the heel of the hand to strike the outer edge of the cover lightly if necessary.

- ▶ Place the cover (1) over the lever handle as shown.

You must twist the cover when putting it in position if this is necessary.

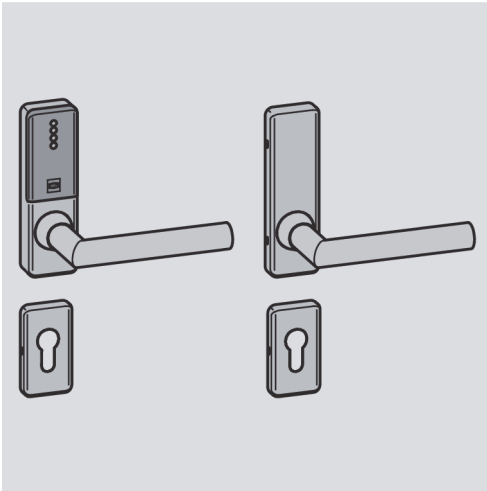
- ▶ Press the cover laterally onto the assembly profile (1.) until the locking points of the cover (2) are in contact with the locking points of the assembly profile (3) (1.).
- ▶ Press the other side of the cover onto the assembly profile in such a way that the locking points audibly click into place (2.).

 The diagram which follows shows an example of the attachment.



- ▶ Attach the other cover on the assembly profile in the same way.

GUARD Compact Slimline



The handles of this type can only be attached by screwing all the way through on the door leaf.

If screwing all the way through is not possible at an attachment point below the lever handle, you can also screw the assembly profile onto the door leaf with a short screw at this attachment point.

The position of the attachment points depends on the position of the drill holes which are present on the door and the lock. A guide slot is present in the assembly profiles in which the screw connection can be moved to the correct position. A corresponding scale is attached next to the upper guide slot for this purpose.

It is necessary to remove the cover of the electronic handle for inserting the threaded bushes into the assembly profile.

You must attach the spindle and lever handle to the handle prior to attaching the handle in position.

- i** The attachment of the lever handle to the electronic handle is described from page 63 onwards.
The attachment of the spindle is described from page 67 onwards.
The attachment of the spindle with reducing bushes is described from page 70 onwards.

Always install the lever handle fittings/rosettes first for two-part handles. Only install the cylinder rosettes once the lever handle fittings/rosettes have been installed.

ATTENTION!

It is possible to damage the surface of the lever handle when removing the cover.

- ▶ Do not use any force when removing covers from handles.
- ▶ Twist the cover round the lever handle while pulling it off in order to avoid contact.

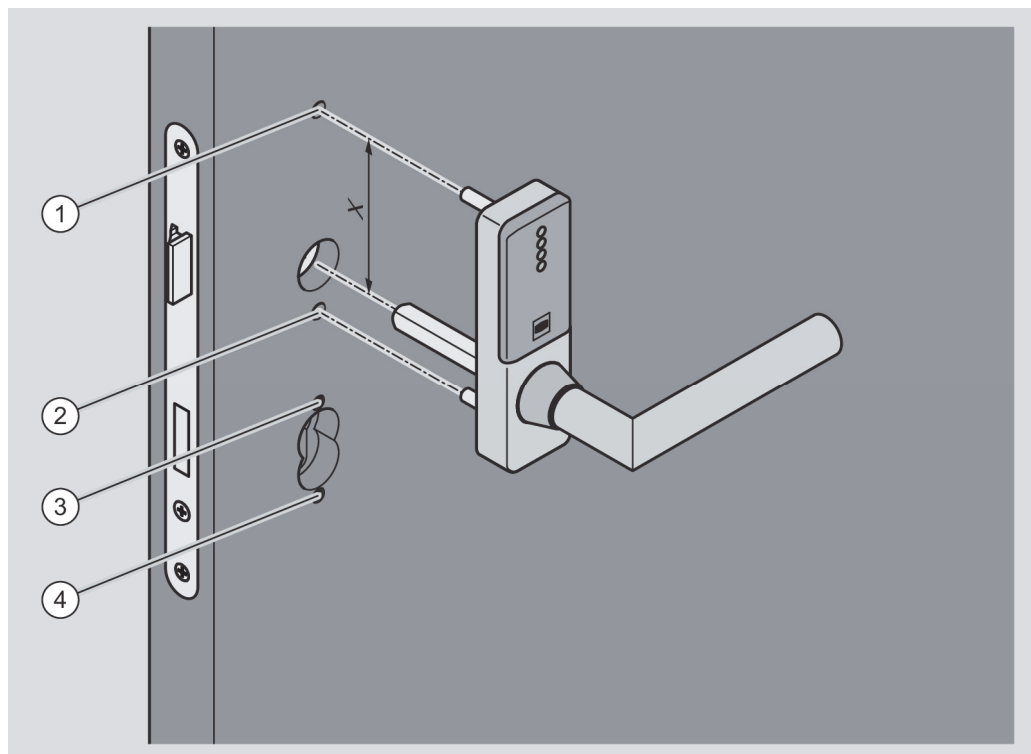
ATTENTION!

Damage to the electronic components of the handle due to contact possible.

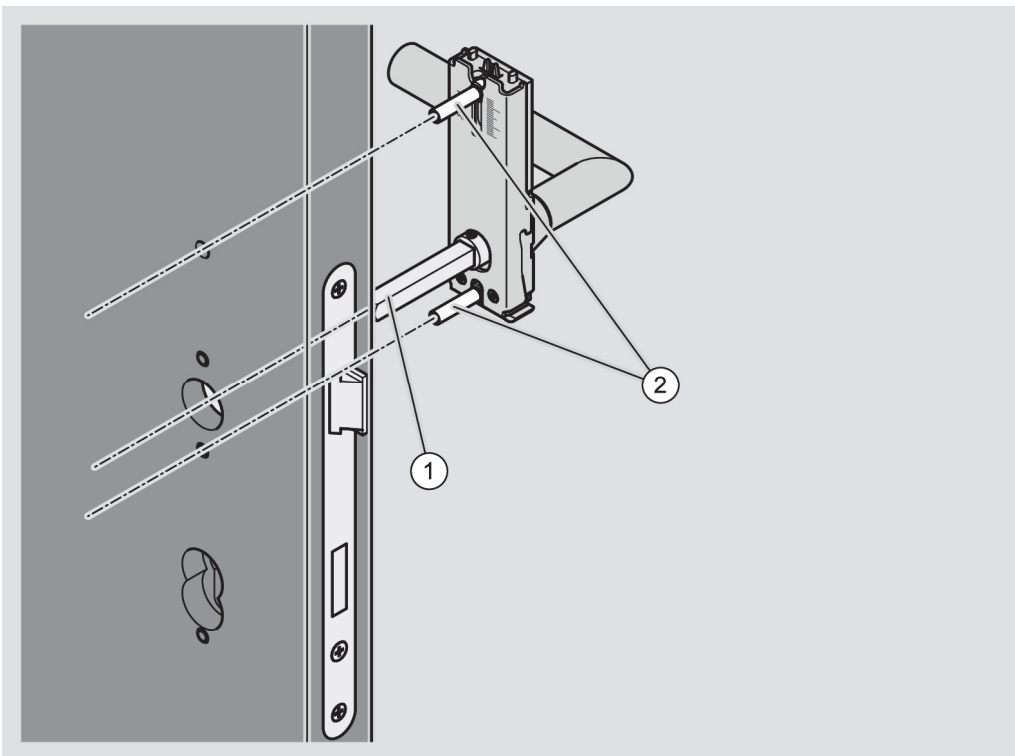
- ▶ Do not touch the electronic components of the handle.
- ▶ Touch an earthed object made of metal to discharge any electrostatic charge before continuing work.

A heater or tap are examples of suitable earthed objects.

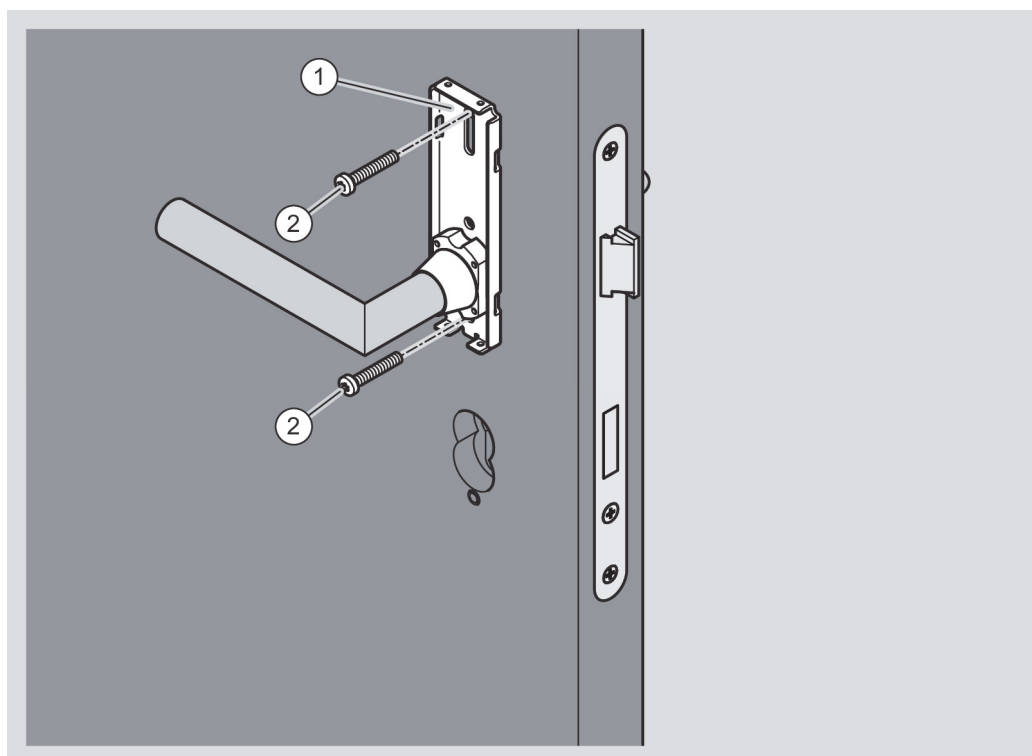
- ▶ If necessary remove the cover from the electronic assembly profile as described from page 254 onwards.
 - ▶ Measure the distance "X" between the middle of the coupling nut and the upper drill hole (1) in the door leaf.
- i** The distance from the lower drill hole (2) to the middle of the coupling nut is standardised. The distances of the drill holes above (3) and below (4) the cylinder are not standardised.



- ▶ Insert the threaded bushes (2) through the recesses into the guide slots in the assembly profile as shown.
- ▶ Push the upper threaded bush to the desired position in line with the measurement “X” which is established.
- ▶ Insert the spindle (1) into the spindle hub.
- ▶ Insert the threaded bushes into the drill holes on the door.
- ▶ If necessary, move the upper threaded bush until the threaded bushes can be inserted easily into the drill hole.
- ▶ Press the assembly profile onto the door leaf.



- ▶ Ensure that the lever handle on the inside handle is aligned correctly (see page 61).
- ▶ When using adapter sleeves, make sure that these are attached correctly (see page 70).
- ▶ Place the lever handle on the spindle protruding on the inside of the door.
- ▶ Insert the long screws (2) into the guide slots on the inner assembly profile as shown.
- ▶ Push the upper long screw to the desired position in line with the measurement "X" which is established.
- ▶ If necessary, move the upper long screw until the long screws can be inserted easily into the drill hole.
- ▶ Press the assembly profile (1) onto the door leaf.
- ▶ Screw the long screws with the threaded bushes so they are hand tight.
- ▶ Check the lever handle for ease of movement.
- ▶ Release the long screw below the lever handle a little if the lever handle does not move easily.



**ATTENTION!**

It is possible to damage the surface of the lever handle when fitting the cover.

- ▶ Do not use any force when installing the covers of handles.
- ▶ Twist the cover round the lever handle while fitting in order to avoid contact.
- ▶ Ensure that the cover and the lever handle do not touch when fitting the cover.

- ▶ Place the cover over the lever handle.

You must twist the cover if this is necessary.

- ▶ Place the cover (1) on the assembly profile from above first of all as shown.
- ▶ Then press the cover onto the assembly profile from above and below (1.).
- ▶ Ensure that the recess at the bottom of the cover is correctly positioned on the cover closure.

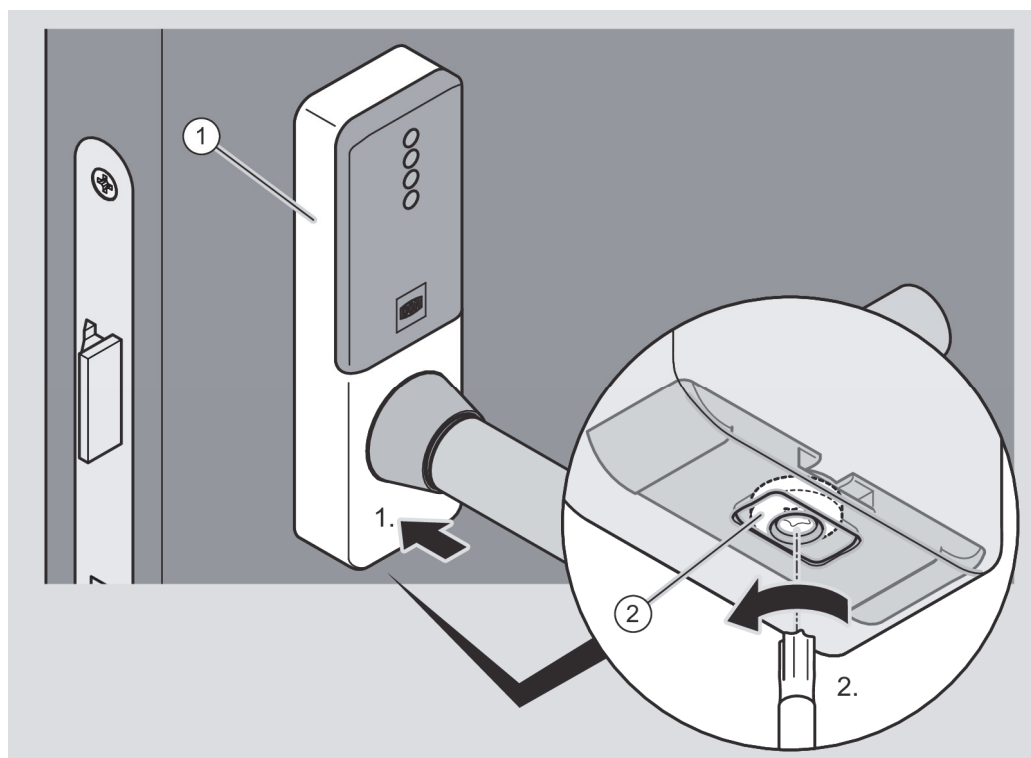
ATTENTION!

Damage to the cover possible due to excessive tightening of the screw.

- ▶ Only tighten the screw (2) so that the plate of the cover closure holds the cover securely.

- ▶ Turn the screw (2) on the underside of the cover in an anticlockwise direction to close the cover closure (2.).

The plate of the cover closure is pushed into the recess on the cover and it locks the cover.





ATTENTION!

It is possible to damage the surface of the lever handle when fitting the cover.

- ▶ Do not use any force when installing the covers of handles.
- ▶ Twist the cover round the lever handle while fitting in order to avoid contact.
- ▶ Ensure that the cover and the lever handle do not touch when fitting the cover.

The cover of the mechanical handle is only put loosely in place on delivery. You must press the cover onto the assembly profile until it clicks audibly into place.

ATTENTION!


Distortion of the cover possible due to forceful pressing.

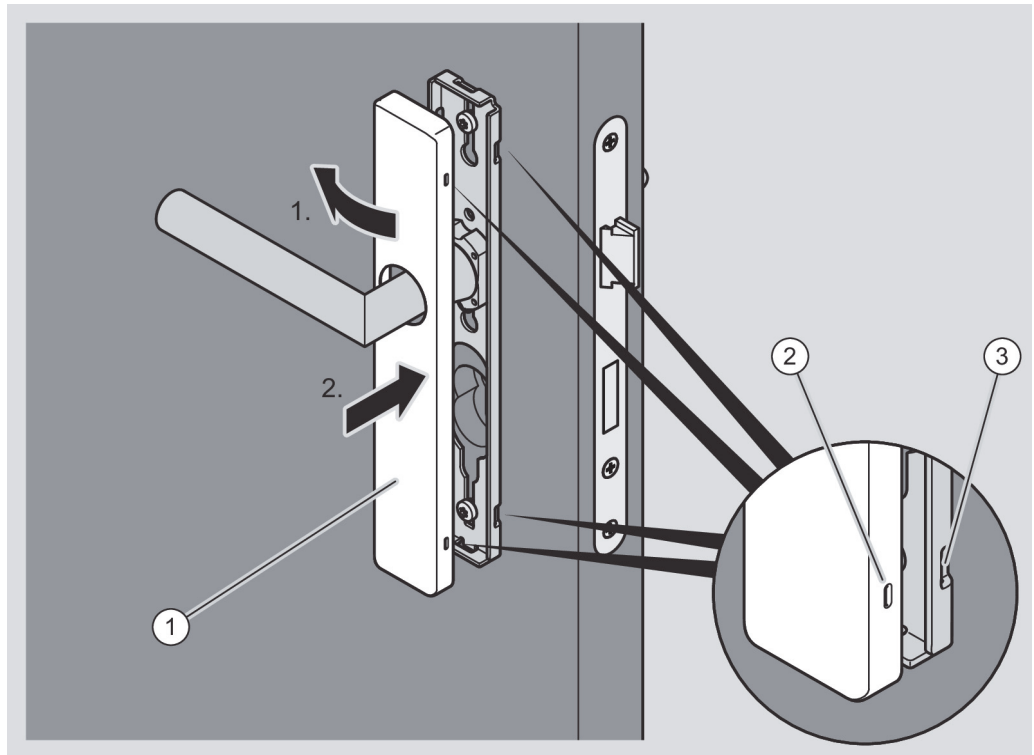
- ▶ Press the cover carefully until it clicks into the locking points.
- ▶ Use the heel of the hand to strike the outer edge of the cover lightly if necessary.

- ▶ Place the cover (1) over the lever handle as shown.

You must twist the cover when putting it in position if this is necessary.

- ▶ Press the cover laterally onto the assembly profile (1.) until the locking points of the cover (2) are in contact with the locking points of the assembly profile (3) (1.).
- ▶ Press the other side of the cover onto the assembly profile in such a way that the locking points audibly click into place (2.).

 The diagram which follows shows an example of the attachment.



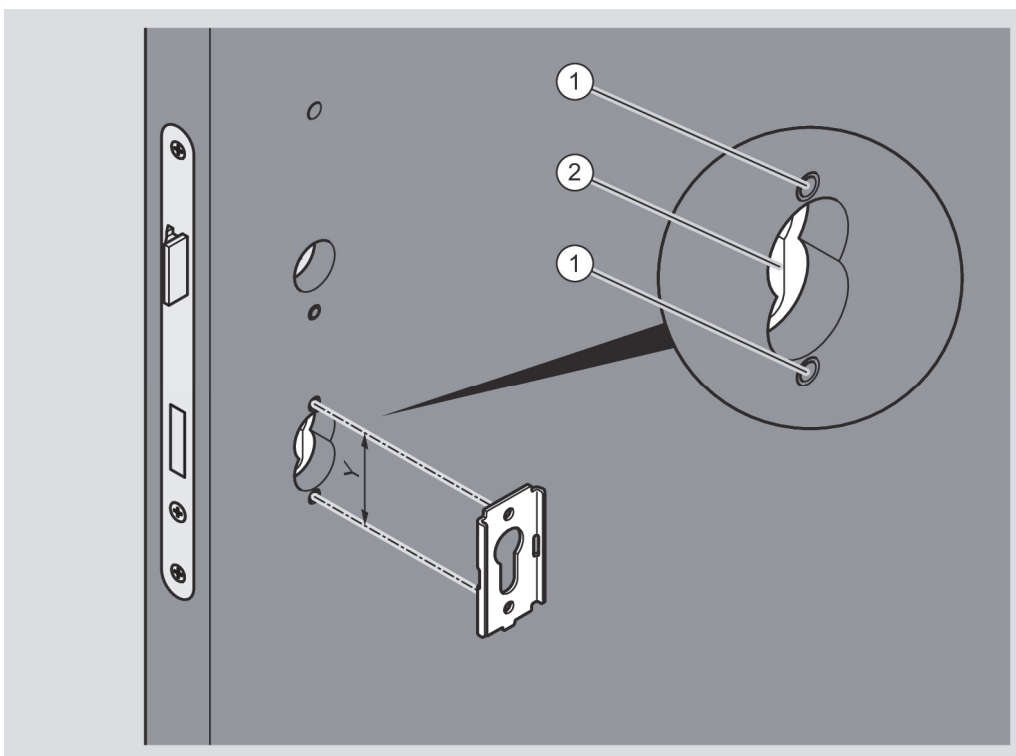
i The handle with lever handle is not shown in the section which follows.

The assembly profiles for the cylinder rosette are screwed in place on both sides of the door with two short screws each.

- ▶ Ensure that both screw attachment points (1) on the door leaf have the correct distance of 50 mm.
- ▶ Make sure that the screw attachment points are positioned correctly in relation to the lock cylinder (2).

i The lock cylinder should be inserted in order to simplify the alignment.

- ▶ Screw the assembly profile on the outside onto the door leaf with two short screws on the screw attachment points.
- ▶ Tighten the short screws so they are hand tight.
- ▶ Fit the assembly profile for the cylinder rosette on the inside in the same way.



ATTENTION!

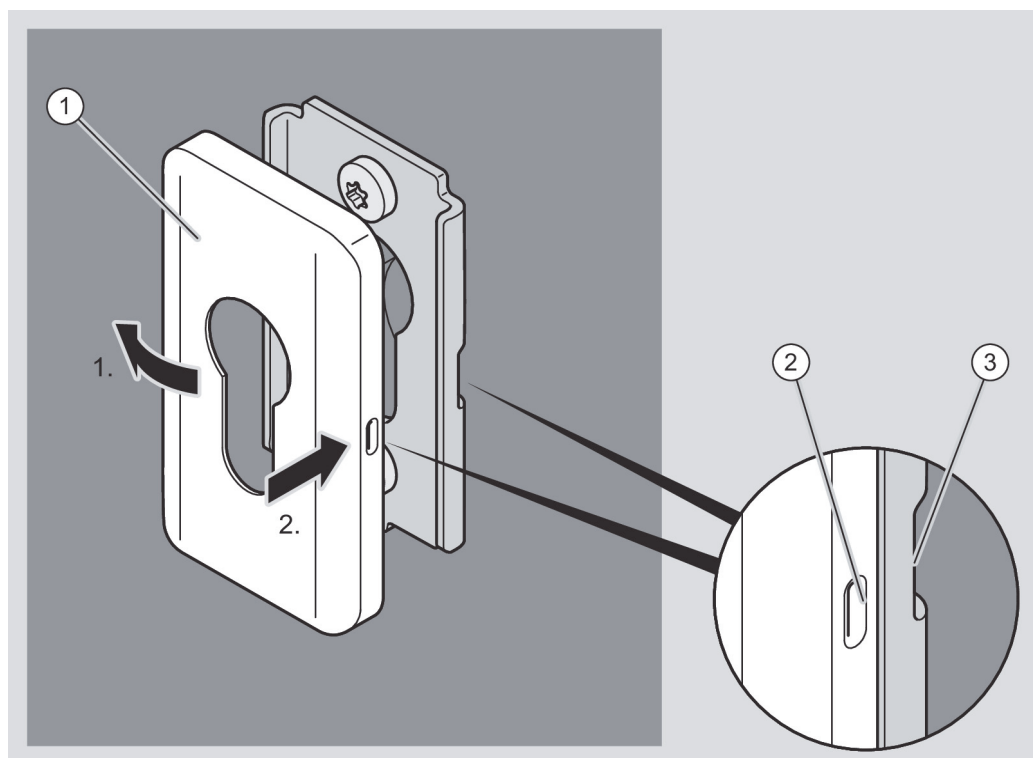
Distortion of the cover possible due to forceful pressing.

- ▶ Press the cover carefully until it clicks into the locking points.
- ▶ Use the heel of the hand to strike the edge of the cover lightly if necessary.

▶ Place the cover of the cylinder rosette (1) on the assembly profile as shown. You must twist the cover of the cylinder rosette when putting it in position if this is necessary.

▶ Press the cover of the cylinder rosette laterally onto the assembly profile (1.) until the locking point of the cover (2) is in contact with the locking point of the assembly profile (3) (1.).

▶ Press the other side of the cover onto the assembly profile in such a way that the locking point audibly clicks into place (2).



▶ Attach the cover of the second cylinder rosette in the same way.

▶ Check the outer lever handle for flawless functioning (coupling).

If the outer lever handle does not couple flawlessly, align it as follows:

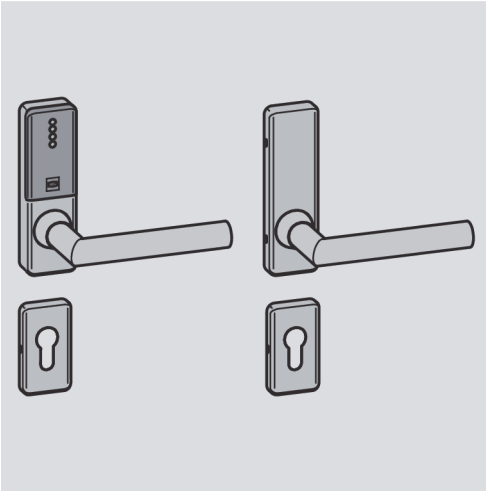
▶ Remove the cover of the outer handle as described in section "Removing handle" from page 251 onwards.

- ▶ Align the outer lever handle horizontally as described from page 63 onwards.

The horizontal positions of the outer lever handle and inner lever handle must match.

- ▶ Reattach the cover to the assembly profile.

GUARD Compact Slimline with adapter plate



The handles of this type are attached to the door leaf by screwing on the adapter plate.

You must attach the spindle and lever handle to the handle prior to attaching the handle in position.

- i** The attachment of the lever handle to the electronic handle is described from page 63 onwards.
 The attachment of the spindle is described from page 67 onwards.
 The attachment of the spindle with reducing bushes is described from page 70 onwards.

Always install the lever handle fittings/rosettes first for two-part handles. Only install the cylinder rosettes once the lever handle fittings/rosettes have been installed.

ATTENTION!

It is possible to damage the surface of the lever handle when removing the cover.

- ▶ Do not use any force when removing covers from handles.
- ▶ Twist the cover round the lever handle while pulling it off in order to avoid contact.

ATTENTION!

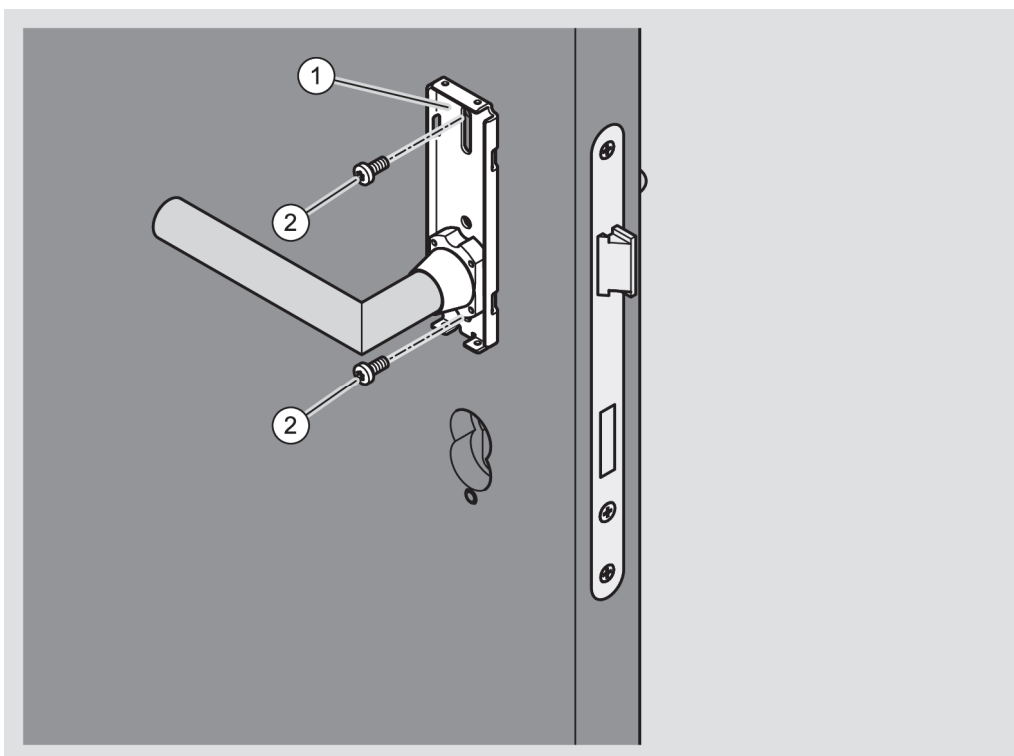
Damage to the electronic components of the handle due to contact possible.

- ▶ Do not touch the electronic components of the handle.
- ▶ Touch an earthed object made of metal to discharge any electrostatic charge before continuing work.

A heater or tap are examples of suitable earthed objects.

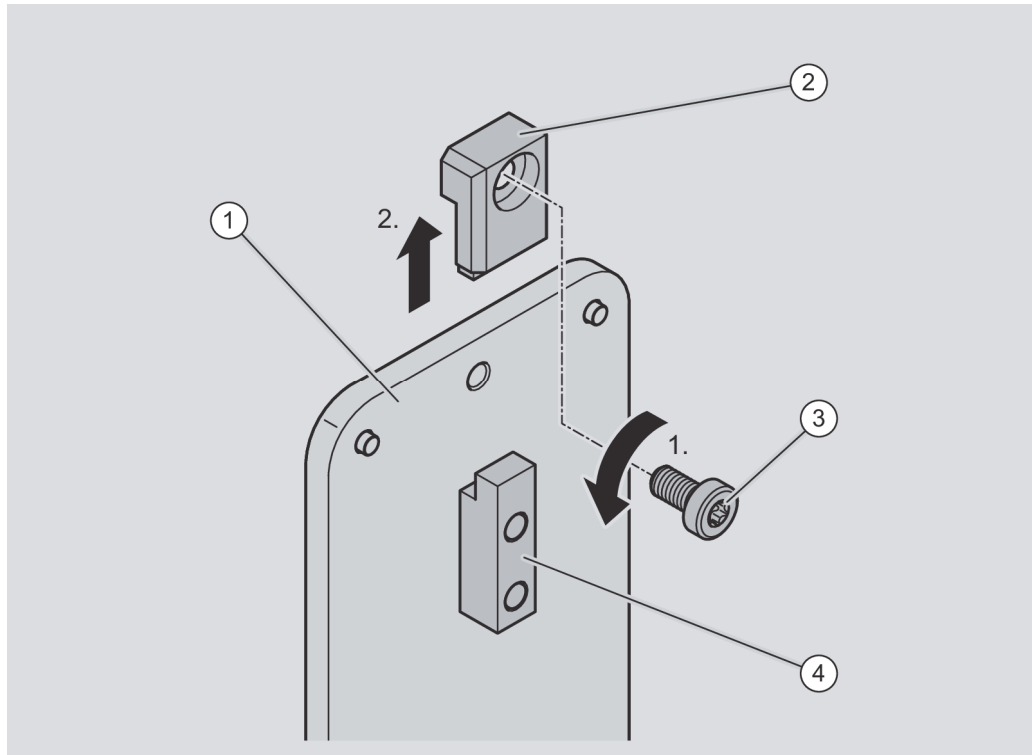
- ▶ If necessary remove the cover from the electronic assembly profile as described from page 254 onwards.
- ▶ Ensure that the lever handle on the inside handle is aligned correctly (see page 61).
- ▶ When using adapter sleeves, make sure that these are attached correctly (see page 70).

- ▶ Place the lever handle on the spindle protruding on the inside of the door.
- ▶ Insert the short screws (2) into the guide slots on the inner assembly profile as shown.
- ▶ If necessary, move the upper short screw until the short screws can be inserted easily into the drill hole.
- ▶ Press the assembly profile (1) onto the door leaf.
- ▶ Screw the short screws down to the door leaf so they are hand-tight.
- ▶ Check the lever handle for ease of movement.
- ▶ Unscrew the short screw below the lever handle slightly if the lever handle does not move easily.

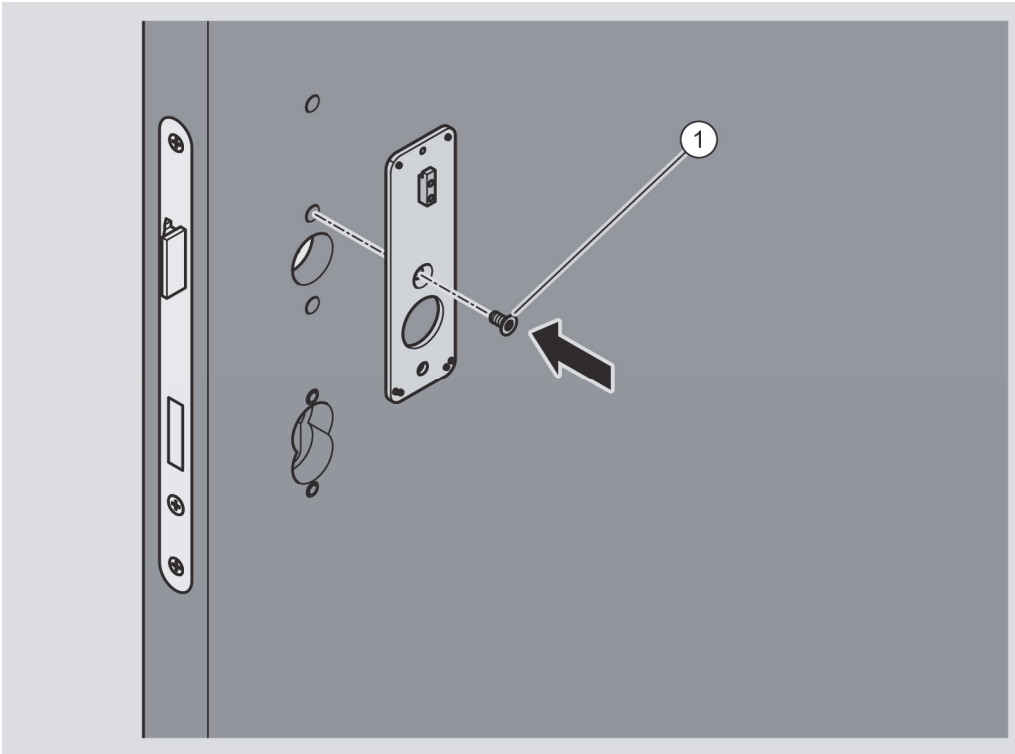


On delivery, the fixing slide (2) is screwed onto the adapter plate (1). You have to remove the fixing slide for assembly.

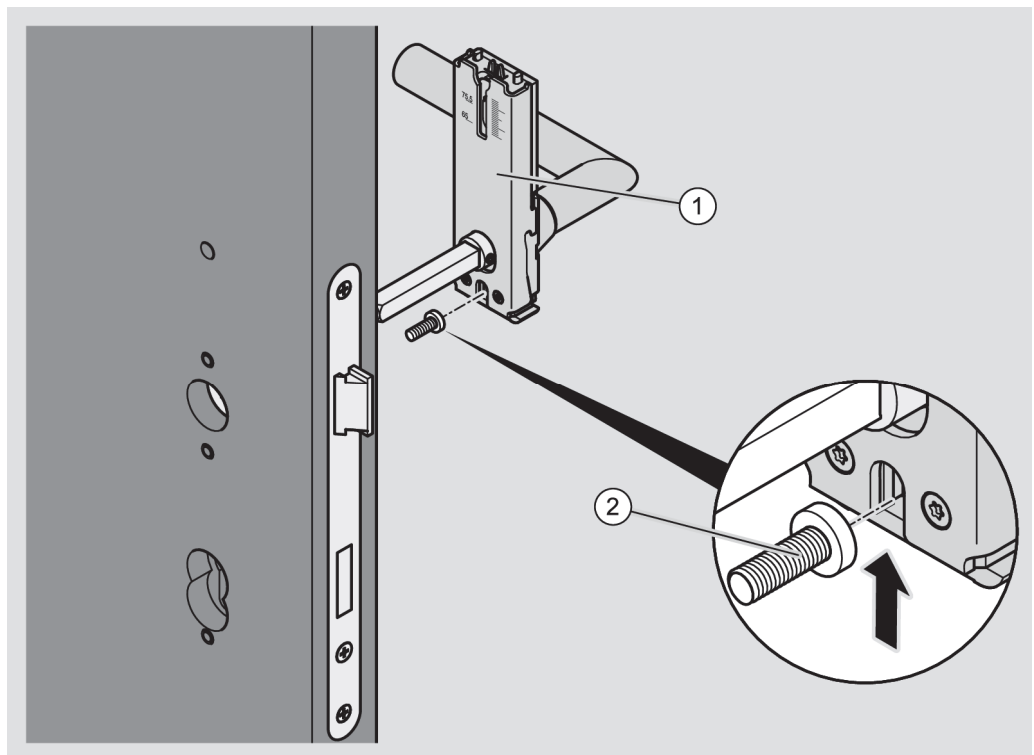
- ▶ Remove the fixing slide screw (3) ("1.").
- ▶ Slide the fixing slide (2) upwards from the counterholder (4) ("2.").
- ▶ Remove the fixing slide (2) from the adapter plate (1).
- ▶ Remove the battery holder (see from page 243 onwards).



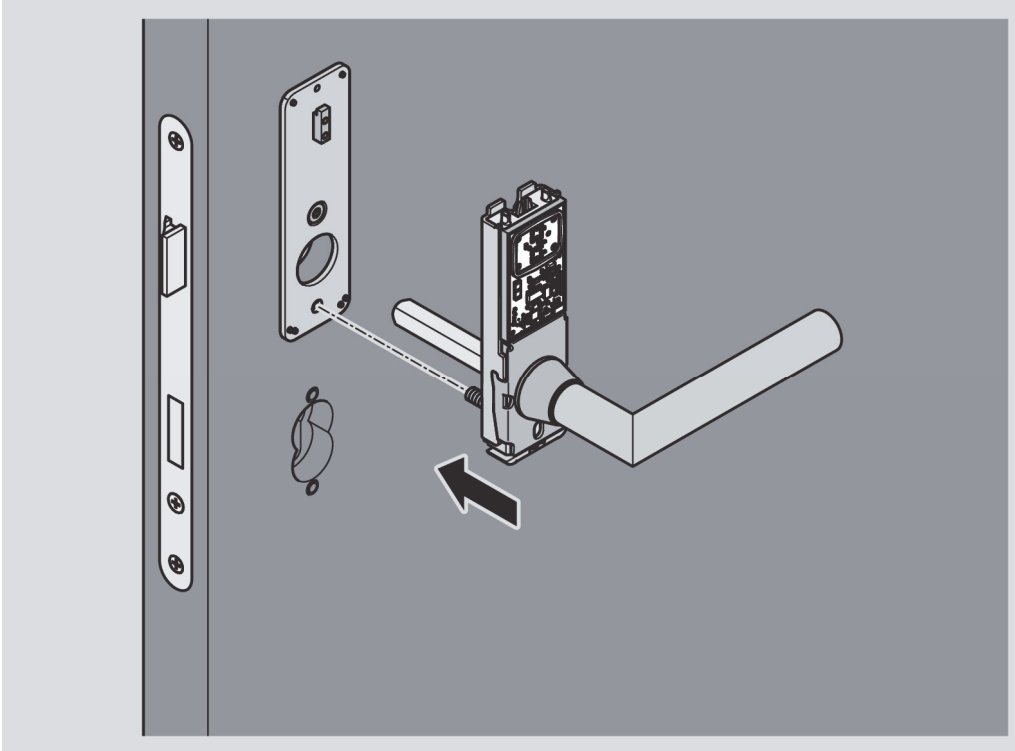
- ▶ Screw the adapter plate onto the door leaf with the countersunk screw (1).
- ▶ Align the adapter plate vertically.
- ▶ Tighten the countersunk screw (1) to a torque of 5.7 Nm.



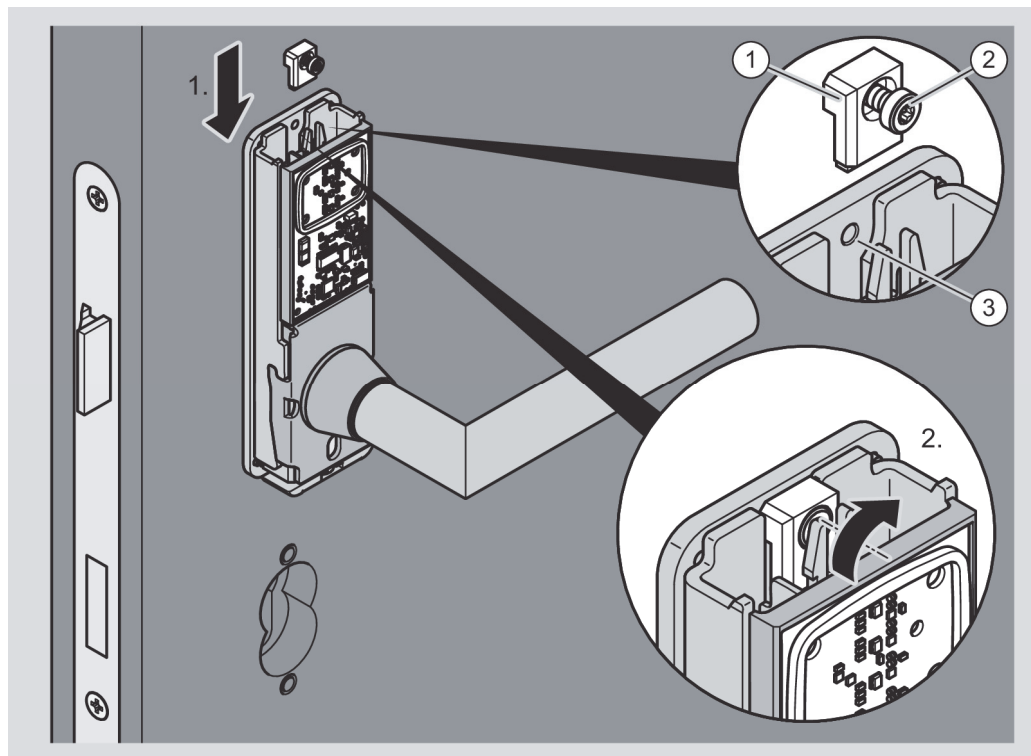
► Insert the fillister head screw (2) into the handle (1) from below.



- ▶ Place the handle on the adapter plate so that it is aligned by the knurled pins of the adapter plate.
- ▶ Tighten the fillister head screw to a torque of 5.7 Nm.



- ▶ Insert the fixing slide screw (2) into the fixing slide (1).
- ▶ Insert the fixing slide (1) at the recess (3) in the handle ("1.").
- ▶ Push the fixing slide (1) down as far as it will go.
- ▶ Tighten the fixing slide screw (2) to a torque of 1.3 Nm ("2.").



- ▶ Insert the battery holder into the handle as described from page 248 onwards.

ATTENTION!

It is possible to damage the surface of the lever handle when fitting the cover.

- ▶ Do not use any force when installing the covers of handles.
- ▶ Twist the cover round the lever handle while fitting in order to avoid contact.
- ▶ Ensure that the cover and the lever handle do not touch when fitting the cover.

- ▶ Place the cover over the lever handle.

You must twist the cover if this is necessary.

- ▶ Place the cover (1) on the assembly profile from above first of all as shown.
- ▶ Then press the cover onto the assembly profile from above and below (1.).
- ▶ Ensure that the recess at the bottom of the cover is correctly positioned on the cover closure.

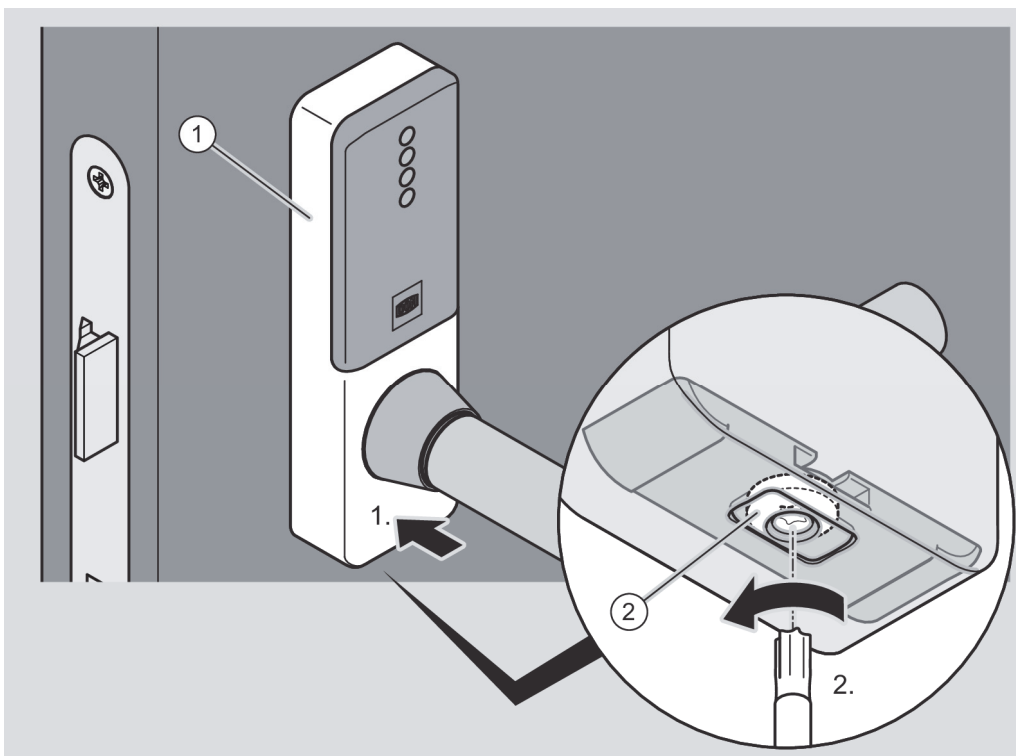
ATTENTION!

Damage to the cover possible due to excessive tightening of the screw.

- ▶ Only tighten the screw (2) so that the plate of the cover closure holds the cover securely.

- ▶ Turn the screw (2) on the underside of the cover in an anticlockwise direction to close the cover closure (2.).

The plate of the cover closure is pushed into the recess on the cover and it locks the cover.



ATTENTION!	
	<p>It is possible to damage the surface of the lever handle when fitting the cover.</p> <ul style="list-style-type: none"> ▶ Do not use any force when installing the covers of handles. ▶ Twist the cover round the lever handle while fitting in order to avoid contact. ▶ Ensure that the cover and the lever handle do not touch when fitting the cover.


The cover of the mechanical handle is only put loosely in place on delivery. You must press the cover onto the assembly profile until it clicks audibly into place.

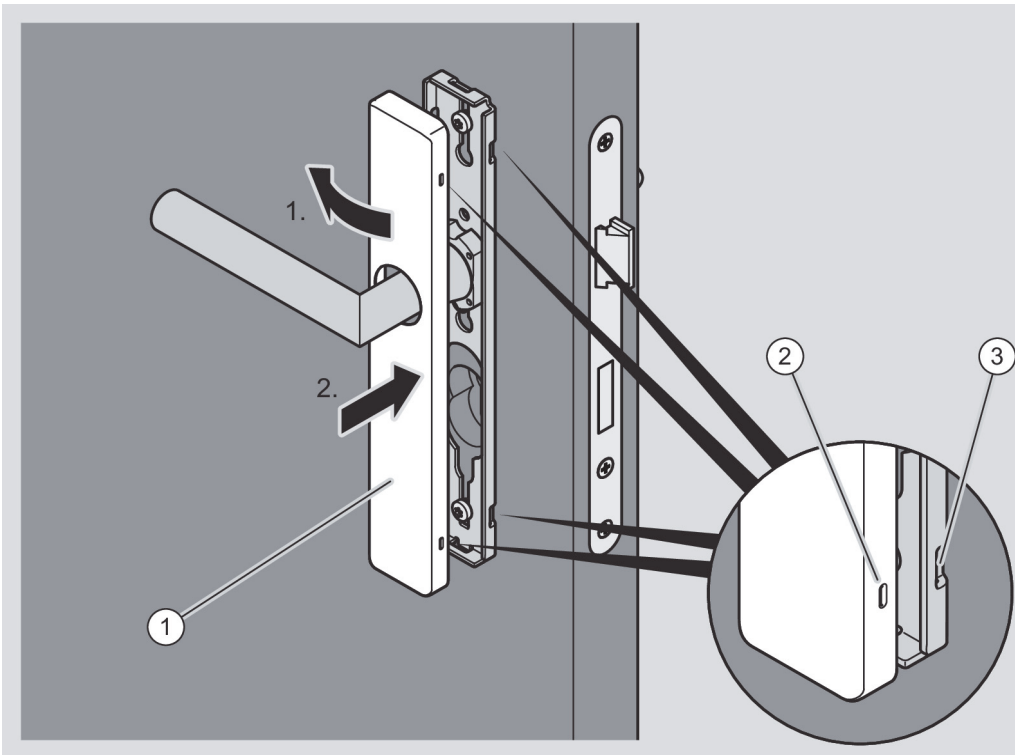
ATTENTION!	
	<p>Distortion of the cover possible due to forceful pressing.</p> <ul style="list-style-type: none"> ▶ Press the cover carefully until it clicks into the locking points. ▶ Use the heel of the hand to strike the outer edge of the cover lightly if necessary.

- ▶ Place the cover (1) over the lever handle as shown.

You must twist the cover when putting it in position if this is necessary.

- ▶ Press the cover laterally onto the assembly profile (1.) until the locking points of the cover (2) are in contact with the locking points of the assembly profile (3) (1.).
- ▶ Press the other side of the cover onto the assembly profile in such a way that the locking points audibly click into place (2.).

 The diagram which follows shows an example of the attachment.



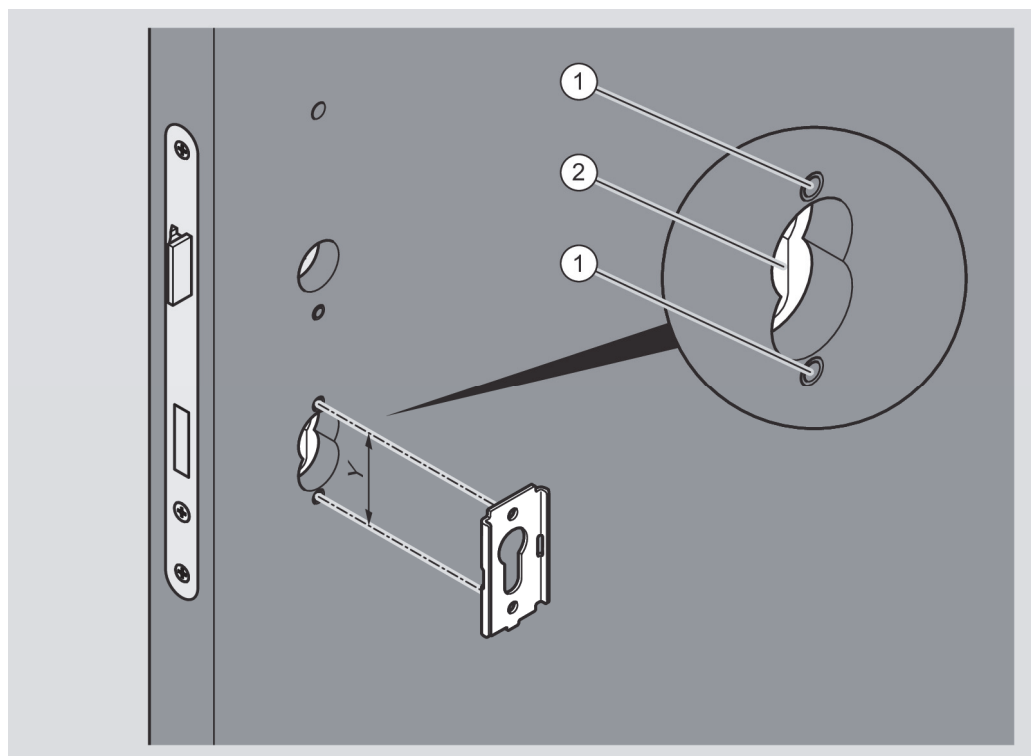
i The handle with lever handle is not shown in the section which follows.

The assembly profiles for the cylinder rosette are screwed in place on both sides of the door with two short screws each.

- ▶ Ensure that both screw attachment points (1) on the door leaf have the correct distance of 50 mm.
- ▶ Make sure that the screw attachment points are positioned correctly in relation to the lock cylinder (2).

i The lock cylinder should be inserted in order to simplify the alignment.

- ▶ Screw the assembly profile on the outside onto the door leaf with two short screws on the screw attachment points.
- ▶ Tighten the short screws so they are hand tight.
- ▶ Fit the assembly profile for the cylinder rosette on the inside in the same way.



ATTENTION!

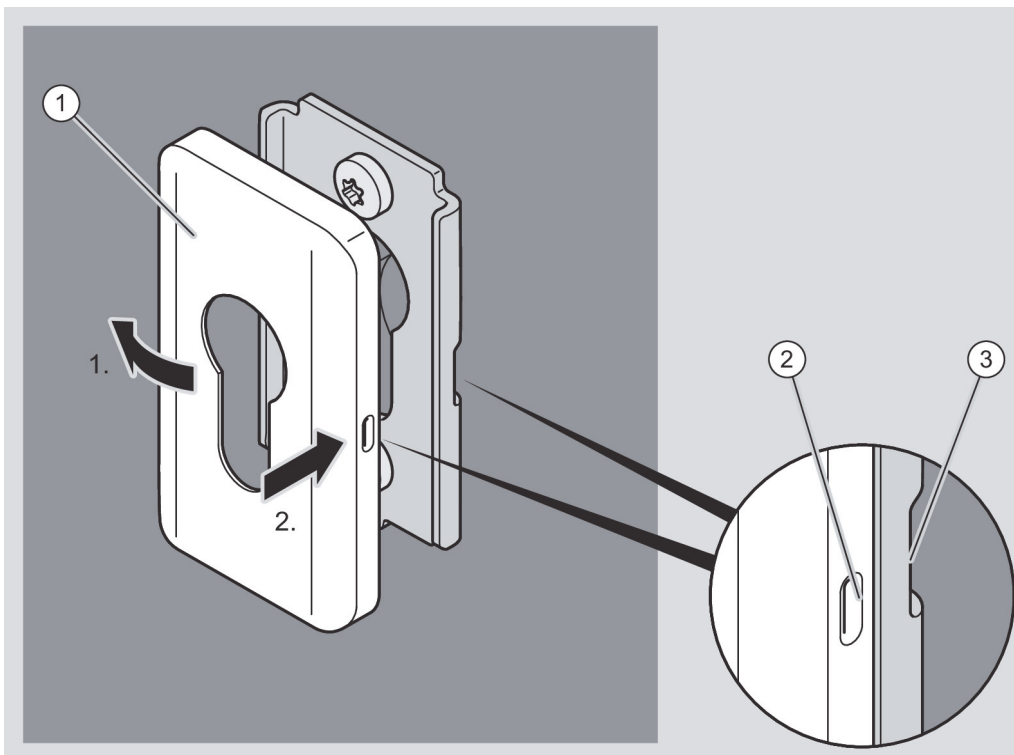
Distortion of the cover possible due to forceful pressing.

- ▶ Press the cover carefully until it clicks into the locking points.
- ▶ Use the heel of the hand to strike the edge of the cover lightly if necessary.

▶ Place the cover of the cylinder rosette (1) on the assembly profile as shown.

You must twist the cover of the cylinder rosette when putting it in position if this is necessary.

- ▶ Press the cover of the cylinder rosette laterally onto the assembly profile (1.) until the locking point of the cover (2) is in contact with the locking point of the assembly profile (3) (1.).
- ▶ Press the other side of the cover onto the assembly profile in such a way that the locking point audibly clicks into place (2).



▶ Attach the cover of the second cylinder rosette in the same way.

▶ Check the outer lever handle for flawless functioning (coupling).

If the outer lever handle does not couple flawlessly, align it as follows:

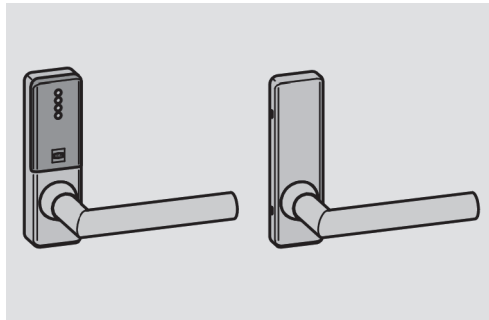
- ▶ Remove the cover of the outer handle as described in section "Removing handle" from page 251 onwards.

- ▶ Align the outer lever handle horizontally as described from page 63 onwards.

The horizontal positions of the outer lever handle and inner lever handle must match.

- ▶ Reattach the cover to the assembly profile.

GUARD Compact Slimline without rosettes



The handles of this type can only be attached by screwing all the way through on the door leaf.

If screwing all the way through is not possible at an attachment point below the lever handle, you can also screw the assembly profile onto the door leaf with a short screw at this attachment point.

The position of the attachment points depends on the position of the drill holes which are present on the door and the lock. A guide slot is present in the assembly profiles in which the screw connection can be moved to the correct position. A corresponding scale is attached next to the upper guide slot for this purpose.

It is necessary to remove the cover of the electronic handle for inserting the threaded bushes into the assembly profile.

You must attach the spindle and lever handle to the handle prior to attaching the handle in position.

- ⓘ The attachment of the lever handle to the electronic handle is described from page 63 onwards.
The attachment of the spindle is described from page 67 onwards.
The attachment of the spindle with reducing bushes is described from page 70 onwards.

ATTENTION!

It is possible to damage the surface of the lever handle when removing the cover.

- ▶ Do not use any force when removing covers from handles.
- ▶ Twist the cover round the lever handle while pulling it off in order to avoid contact.

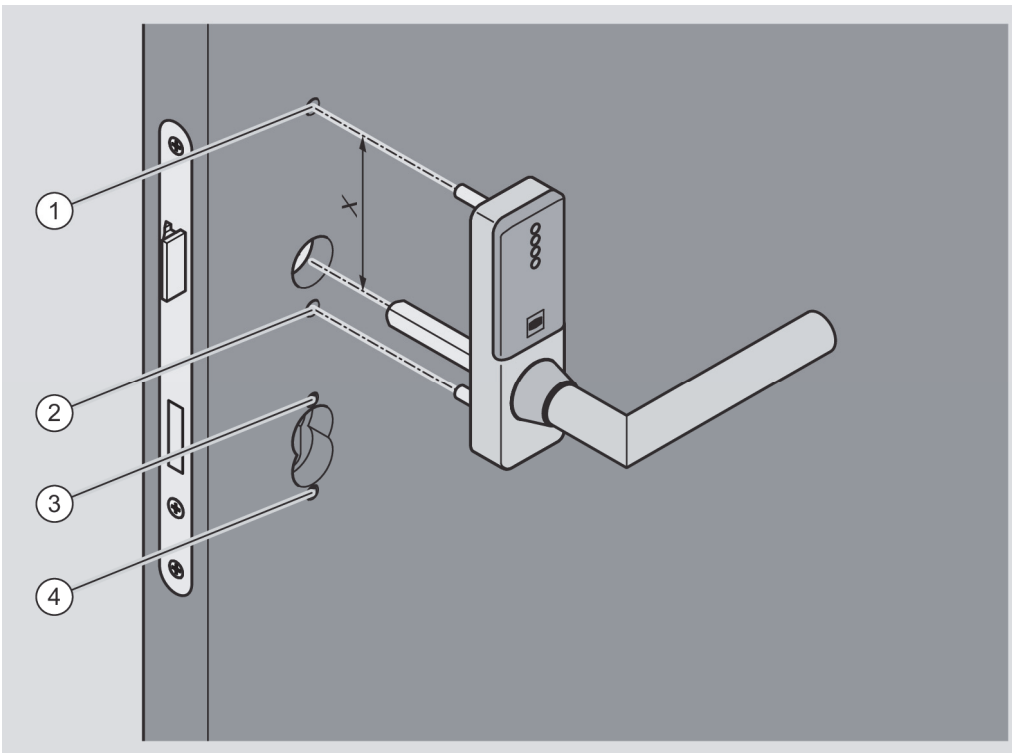
ATTENTION!

Damage to the electronic components of the handle due to contact possible.

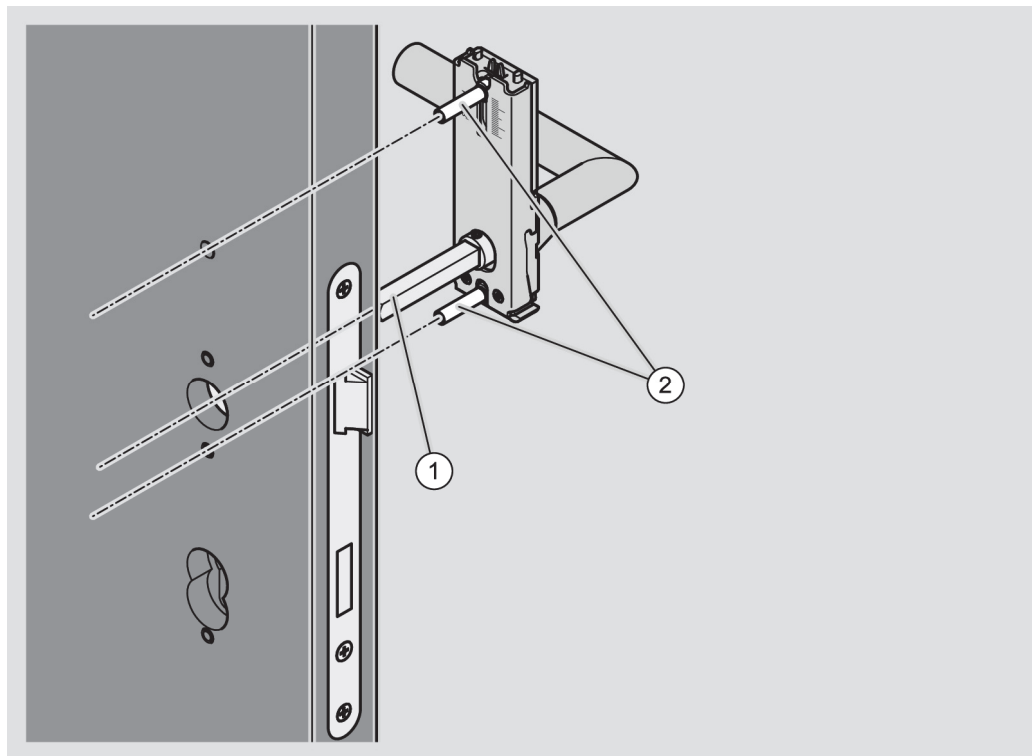
- ▶ Do not touch the electronic components of the handle.
- ▶ Touch an earthed object made of metal to discharge any electrostatic charge before continuing work.

A heater or tap are examples of suitable earthed objects.

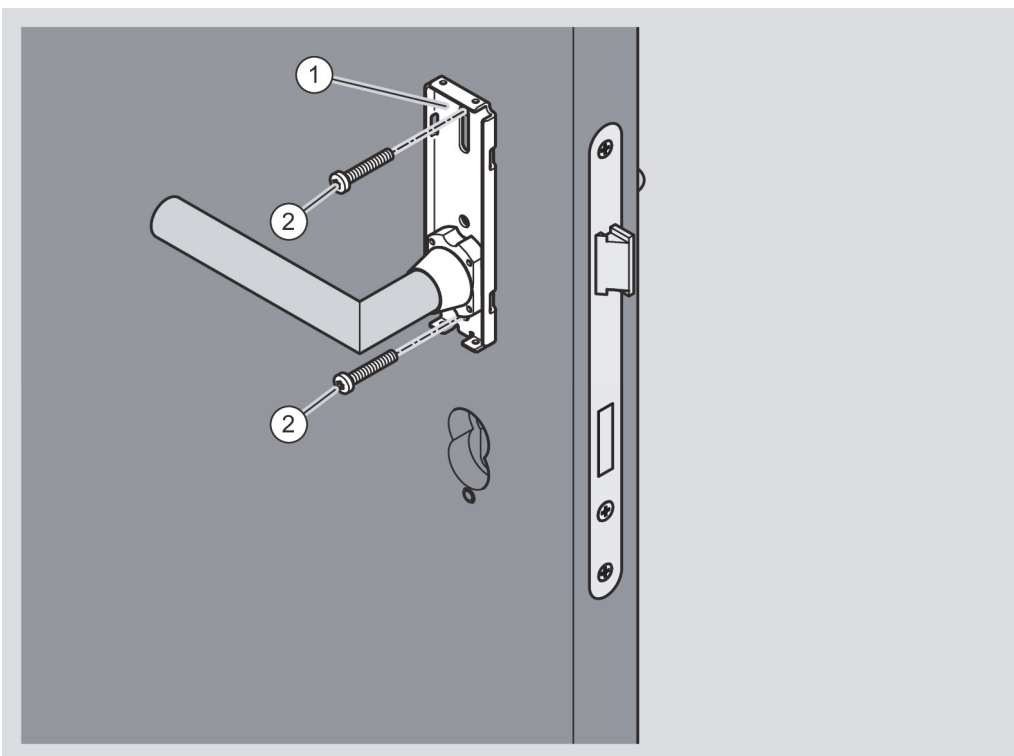
- ▶ If necessary remove the cover from the electronic assembly profile as described from page 254 onwards.
 - ▶ Measure the distance "X" between the middle of the coupling nut and the upper drill hole (1) in the door leaf.
- i** The distance from the lower drill hole (2) to the middle of the coupling nut is standardised. The distances of the drill holes above (3) and below (4) the cylinder are not standardised.



- ▶ Insert the threaded bushes (2) through the recesses into the guide slots in the assembly profile as shown.
- ▶ Push the upper threaded bush to the desired position in line with the measurement "X" which is established.
- ▶ Insert the spindle (1) into the spindle hub.
- ▶ Insert the threaded bushes into the drill holes on the door.
- ▶ If necessary, move the upper threaded bush until the threaded bushes can be inserted easily into the drill hole.
- ▶ Press the assembly profile onto the door leaf.



- ▶ Ensure that the lever handle on the inside handle is aligned correctly (see page 61).
- ▶ When using adapter sleeves, make sure that these are attached correctly (see page 70).
- ▶ Place the lever handle on the spindle protruding on the inside of the door.
- ▶ Insert the long screws (2) into the guide slots on the inner assembly profile as shown.
- ▶ Push the upper long screw to the desired position in line with the measurement “X” which is established.
- ▶ If necessary, move the upper long screw until the long screws can be inserted easily into the drill hole.
- ▶ Press the assembly profile (1) onto the door leaf.
- ▶ Screw the long screws with the threaded bushes so they are hand tight.
- ▶ Check the lever handle for ease of movement.
- ▶ Release the long screw below the lever handle a little if the lever handle does not move easily.



ATTENTION!	
	<p>It is possible to damage the surface of the lever handle when fitting the cover.</p> <ul style="list-style-type: none"> ▶ Do not use any force when installing the covers of handles. ▶ Twist the cover round the lever handle while fitting in order to avoid contact. ▶ Ensure that the cover and the lever handle do not touch when fitting the cover.

- ▶ Place the cover over the lever handle.

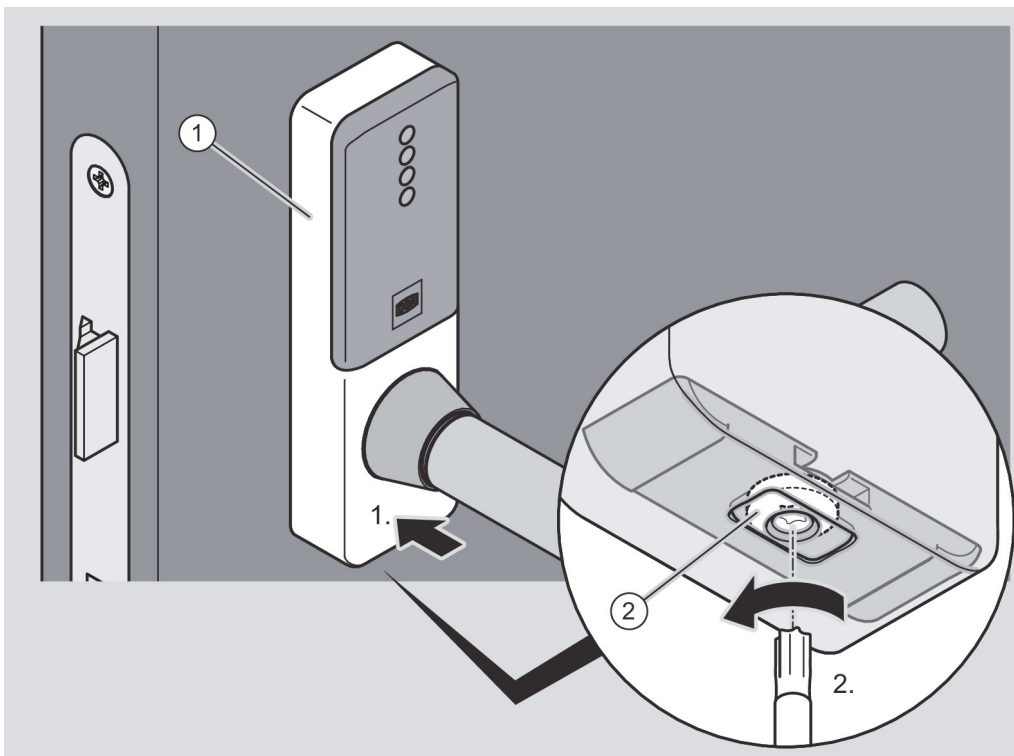
You must twist the cover if this is necessary.

- ▶ Place the cover (1) on the assembly profile from above first of all as shown.
- ▶ Then press the cover onto the assembly profile from above and below (1.).
- ▶ Ensure that the recess at the bottom of the cover is correctly positioned on the cover closure.

ATTENTION!	
	<p>Damage to the cover possible due to excessive tightening of the screw.</p> <ul style="list-style-type: none"> ▶ Only tighten the screw (2) so that the plate of the cover closure holds the cover securely.

- ▶ Turn the screw (2) on the underside of the cover in an anticlockwise direction to close the cover closure (2.).

The plate of the cover closure is pushed into the recess on the cover and it locks the cover.



The cover of the mechanical handle is only put loosely in place on delivery. You must press the cover onto the assembly profile until it clicks audibly into place.


ATTENTION!

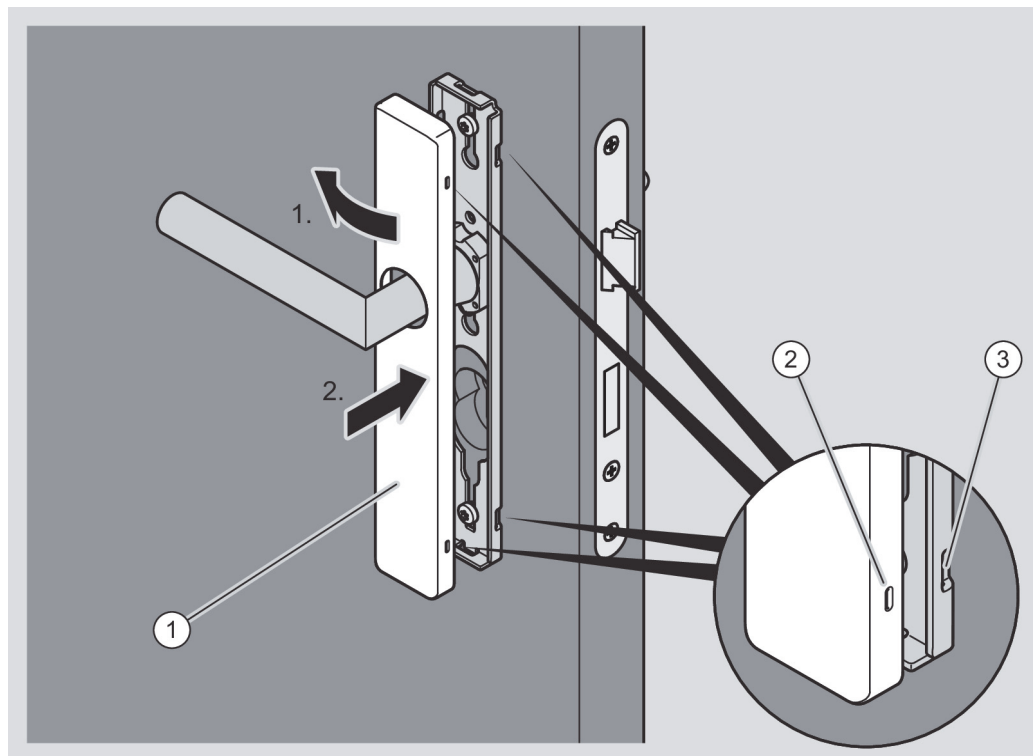
- | | |
|--|------------------------------------------------------------------------------------------------------------------------------------------------------------------------------------------------------------------------------------------------------------------------------------------|
| | <p>Distortion of the cover possible due to forceful pressing.</p> <ul style="list-style-type: none"> ▶ Press the cover carefully until it clicks into the locking points. ▶ Use the heel of the hand to strike the outer edge of the cover lightly if necessary. |
|--|------------------------------------------------------------------------------------------------------------------------------------------------------------------------------------------------------------------------------------------------------------------------------------------|

▶ Place the cover (1) over the lever handle as shown.

You must twist the cover when putting it in position if this is necessary.

- ▶ Press the cover laterally onto the assembly profile (1.) until the locking points of the cover (2) are in contact with the locking points of the assembly profile (3) (1.).
- ▶ Press the other side of the cover onto the assembly profile in such a way that the locking points audibly click into place (2.).

 The diagram which follows shows an example of the attachment.



► Check the outer lever handle for flawless functioning (coupling).

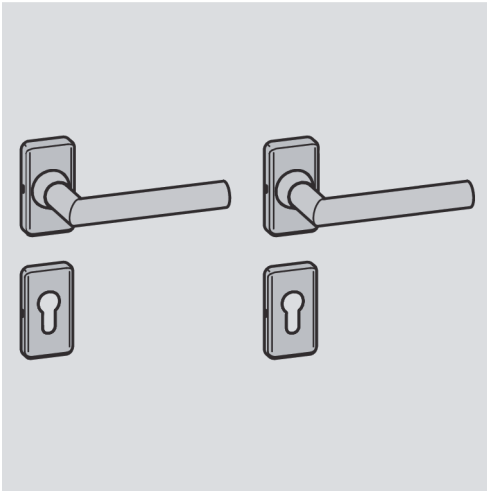
If the outer lever handle does not couple flawlessly, align it as follows:

- Remove the cover of the outer handle as described in section “Removing handle” from page 251 onwards.
- Align the outer lever handle horizontally as described from page 63 onwards.

The horizontal positions of the outer lever handle and inner lever handle must match.

- Reattach the cover to the assembly profile.

Mechanical GUARD Slimline rosette set



The lever handle and cylinder rosettes are screwed onto the door leaf on both sides with two short screws each.

- i** The short screws which are supplied are only suitable for metal doors with pre-cut M5 threads. You can obtain suitable screws for doors made of different material via specialist retailers.

The screws must be of the same length as the screws supplied and the heads must be uniform. The head of the short screw must be wider than the drill hole (5.5 mm). It may have a maximum diameter of 9.8 mm and a maximum height of 4 mm.

- Consult a specialist retailer for advice about suitable short screws for your door.

- i** You can pre-drill the screwing points in order to guarantee safe screwing.

You must attach the spindle on the handle and align the lever handle prior to attaching the handle.

- i** The alignment of the lever handle on the handle is described from page 61 onwards.

The attachment of the spindle is described from page 67 onwards.

The attachment of the spindle with reducing bushes is described from page 70 onwards.

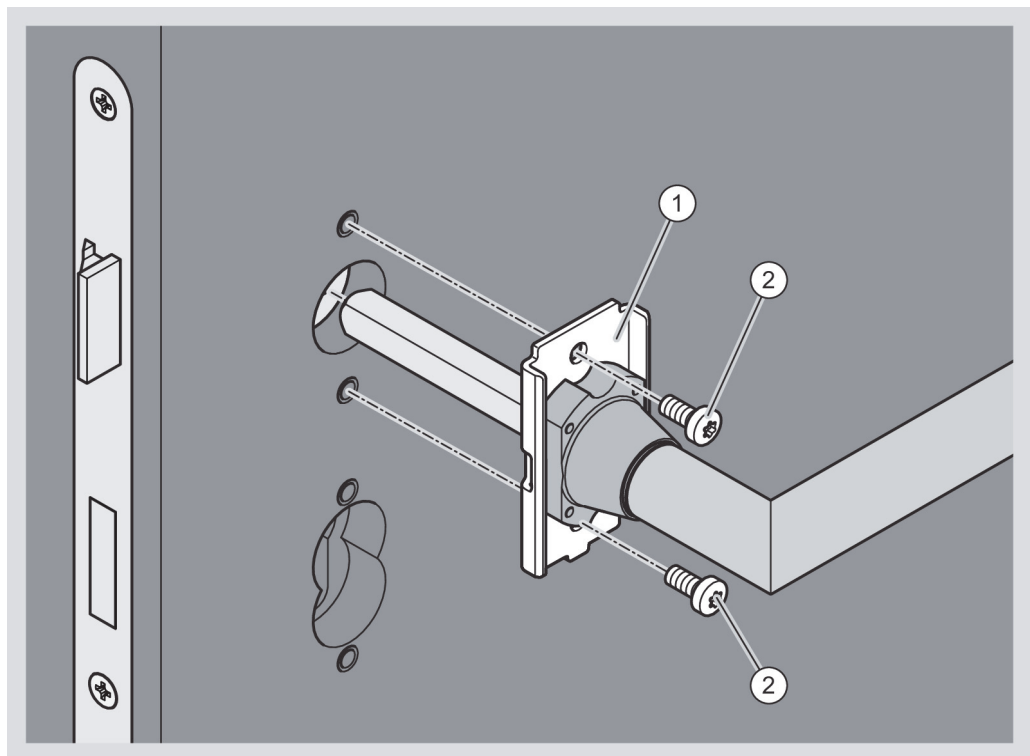
Always install the lever handle fittings/rosettes first for two-part handles. Only install the cylinder rosettes once the lever handle fittings/rosettes have been installed.

ATTENTION!

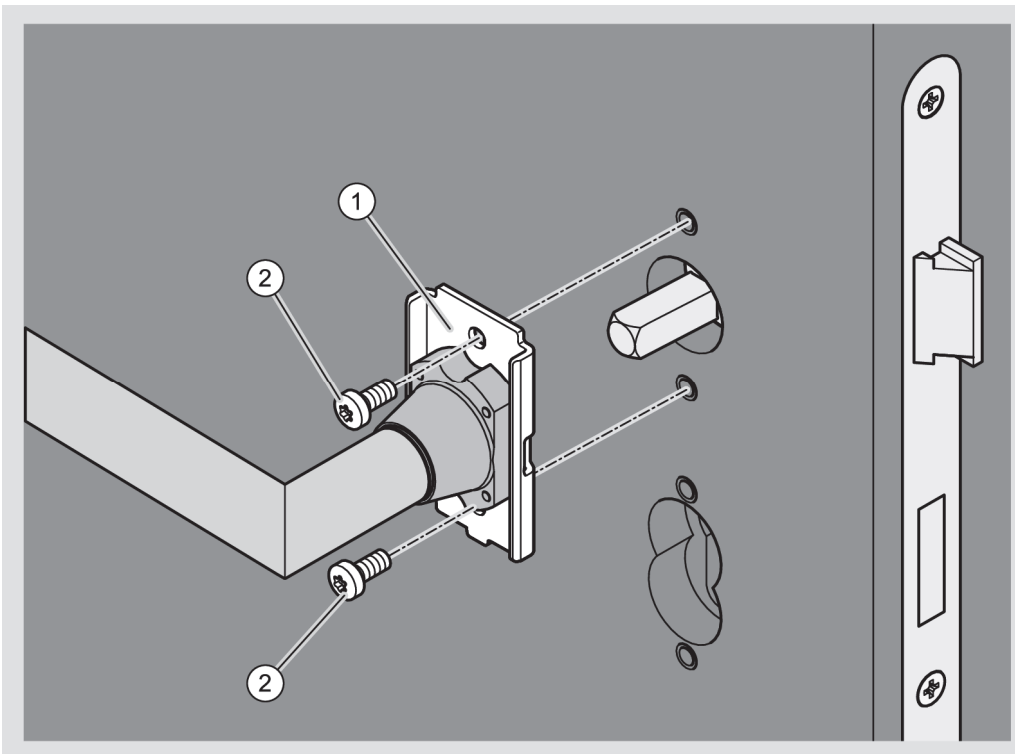
It is possible to damage the surface of the lever handle when removing the cover.

- ▶ Do not use any force when removing covers from handles.
- ▶ Twist the cover round the lever handle while pulling it off in order to avoid contact.

- ▶ If necessary remove the cover from the assembly profile as described from page 251 onwards.
- ▶ Insert the spindle into the spindle hub.
- ▶ Press the assembly profile onto the door leaf.
- ▶ Screw the assembly profile (1) of the lever handle rosette on the outside onto the door leaf with two short screws (2) as shown.



- ▶ If necessary remove the cover from the assembly profile as described from page 251 onwards.
- ▶ Ensure that the lever handle on the inside handle is aligned correctly (see page 61).
- ▶ When using adapter sleeves, make sure that these are attached correctly (see page 70).
- ▶ Screw the assembly profile (1) of the lever handle rosette on the inside onto the door leaf with two short screws (2).



The assembly profiles for the cylinder rosette are screwed in place on both sides of the door with two short screws each.

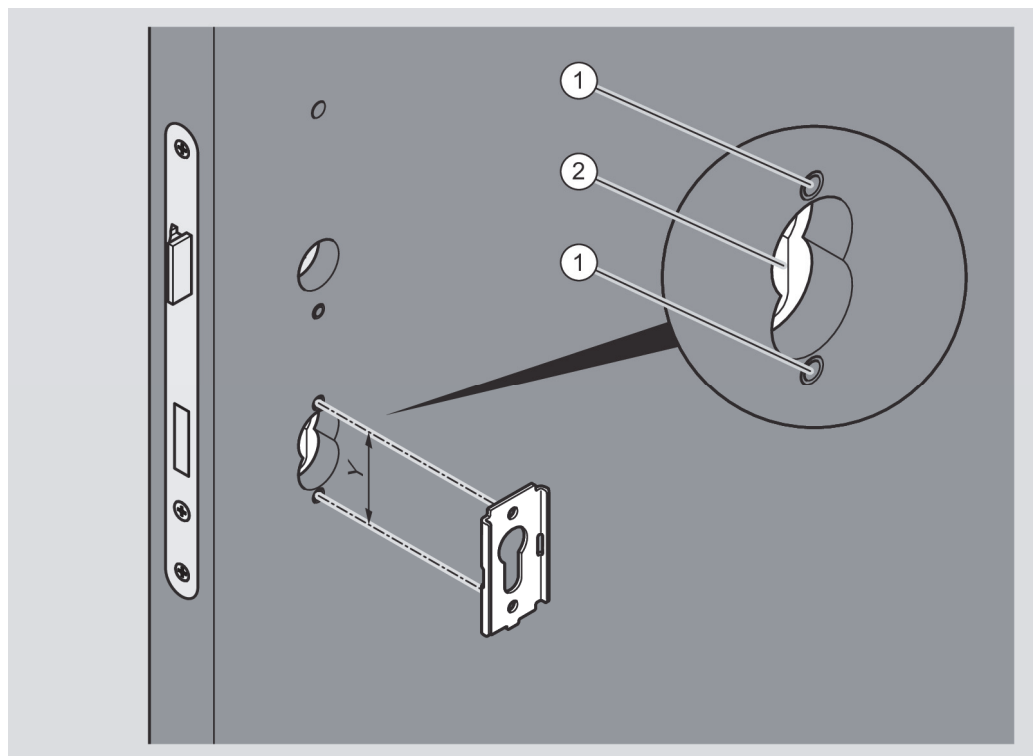
- ▶ Make sure that both screw attachment points (1) on the door leaf have the correct distance of 50 mm.
- ▶ Make sure that the screw attachment points are positioned correctly in relation to the lock cylinder (2).

i The lock cylinder should be inserted in order to simplify the alignment.

- ▶ Screw the assembly profile on the outside onto the door leaf with two short screws on the screw attachment points.

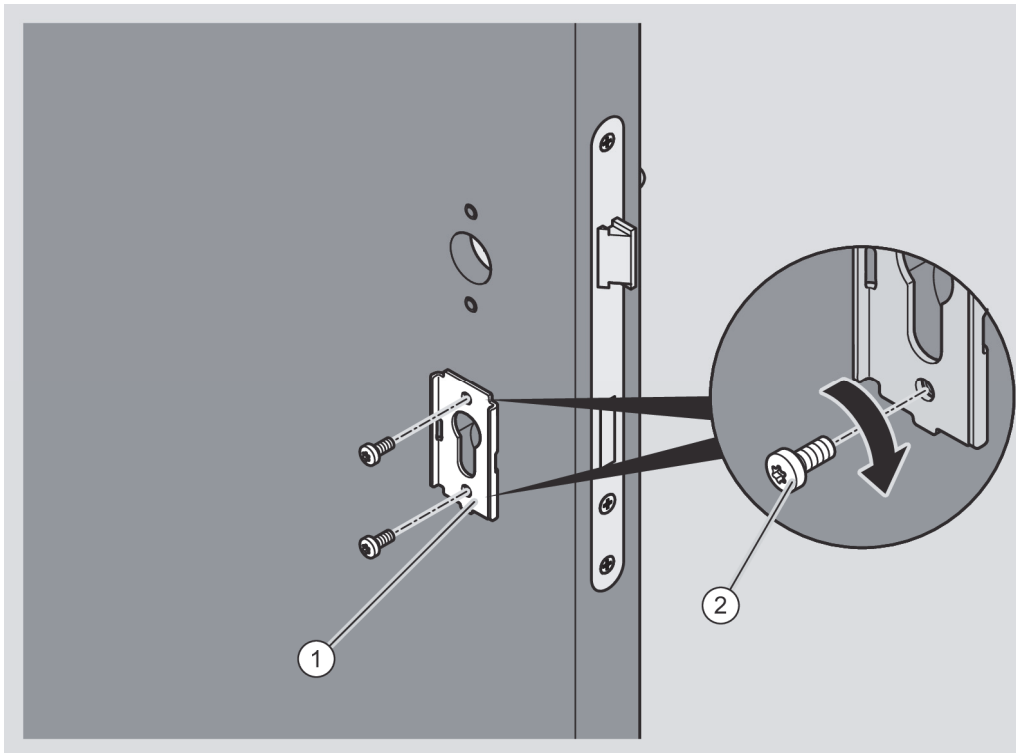
- ▶ Tighten the short screws so they are hand tight.

i The lever handle rosette is not shown in the section which follows.



i The lever handle rosette is not shown in the section which follows.

- ▶ Screw the assembly profile (1) of the cylinder rosette on the inside onto the door leaf with two short screws (2).



ATTENTION!

It is possible to damage the surface of the lever handle when fitting the cover.

- ▶ Do not use any force when installing the covers of handles.
- ▶ Twist the cover round the lever handle while fitting in order to avoid contact.
- ▶ Ensure that the cover and the lever handle do not touch when fitting the cover.

ATTENTION!

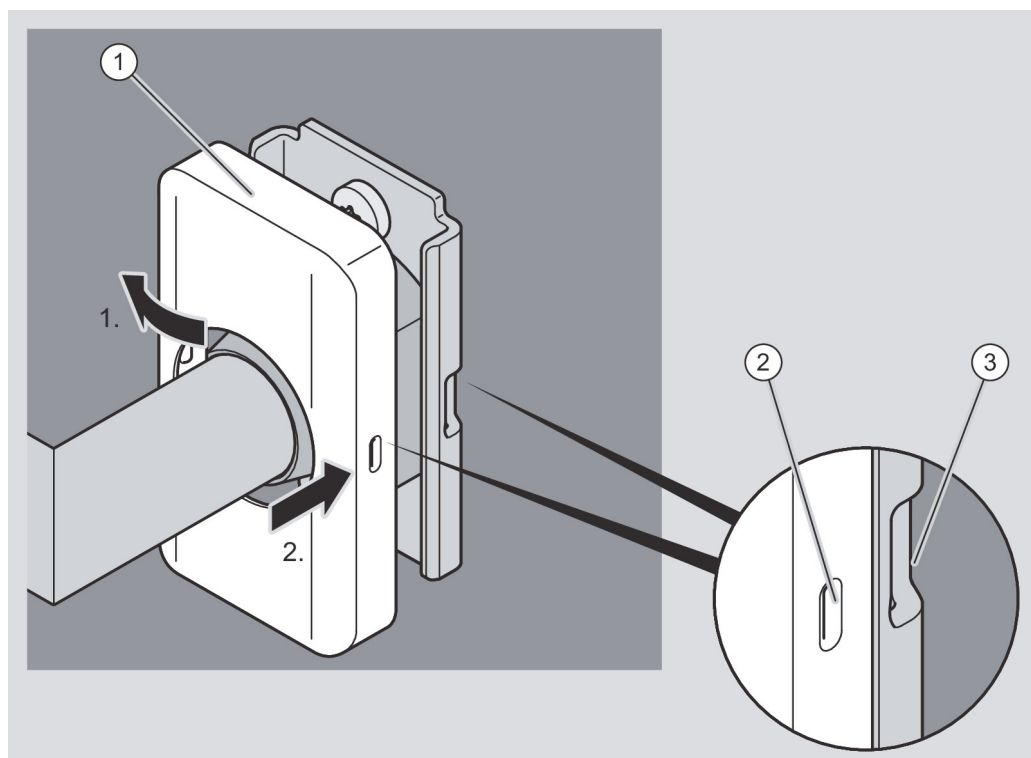
Distortion of the cover possible due to forceful pressing.

- ▶ Press the cover carefully until it clicks into the locking points.
- ▶ Use the heel of the hand to strike the edge of the cover lightly if necessary.

- ▶ Place the cylinder rosette (1) on the assembly profile as shown.

You must twist the lever handle rosette when putting it in position if this is necessary.

- ▶ Press the cylinder rosette laterally onto the assembly profile (1.) until the locking point of the cover (2) is in contact with the locking point of the assembly profile (3) (1.).
- ▶ Press the other side of the cover onto the assembly profile in such a way that the locking point audibly clicks into place (2).



- ▶ Attach the second lever handle rosette in the same way.

ATTENTION!

Distortion of the cover possible due to forceful pressing.

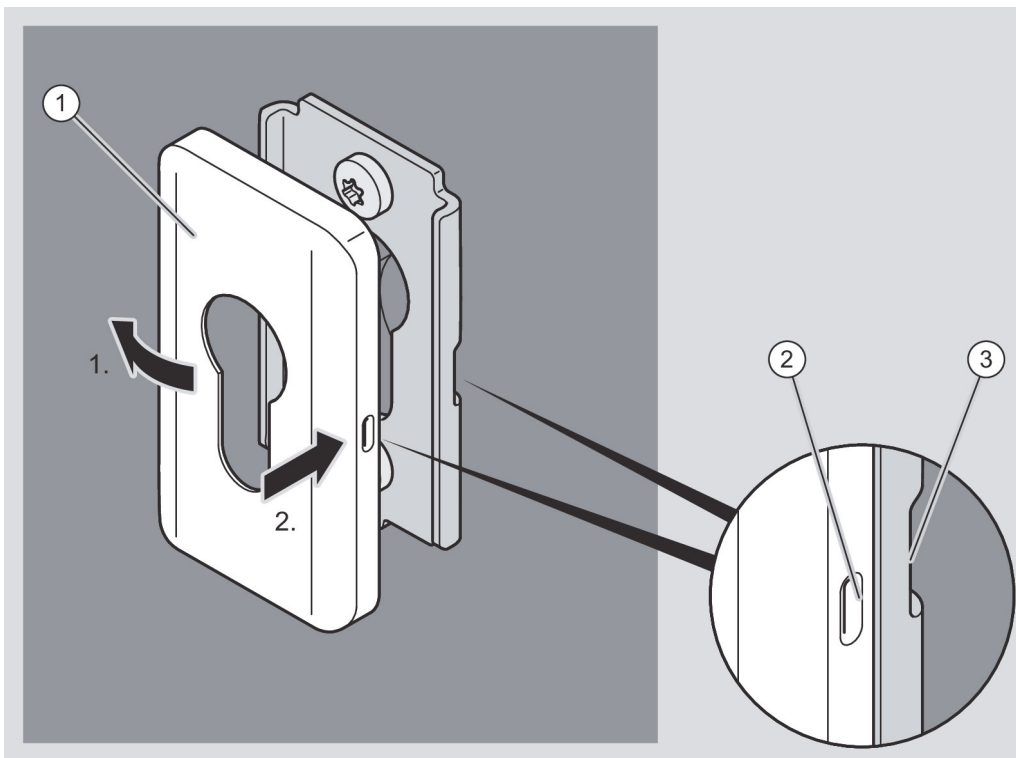
- ▶ Press the cover carefully until it clicks into the locking points.
- ▶ Use the heel of the hand to strike the edge of the cover lightly if necessary.

▶ Place the cover of the cylinder rosette (1) on the assembly profile as shown.

You must twist the cover of the cylinder rosette when putting it in position if this is necessary.

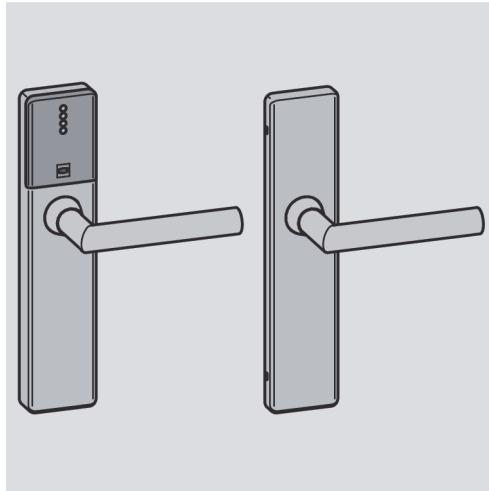
▶ Press the cover of the cylinder rosette laterally onto the assembly profile (1.) until the locking point of the cover (2) is in contact with the locking point of the assembly profile (3) (1.).

▶ Press the other side of the cover onto the assembly profile in such a way that the locking point audibly clicks into place (2).



▶ Attach the cover of the second cylinder rosette in the same way.

GUARD Wideline set reading on one side



- i A GUARD Slimline long plate is presented in the section which follows. The procedure for other handles is no different from the one described here.

Installing handle and screwing right through

- i The procedure for “Screwing long plate” is described and presented in the section which follows. In this case screwing occurs with three threaded bushes and long screws through the door leaf (“Screwing all the way through”).
Screwing at just two attachment points may occur depending on regional conditions and the attachment points which are available.
- i You can install the long plate without taking off the cover of the assembly profile when screwing all the way through.

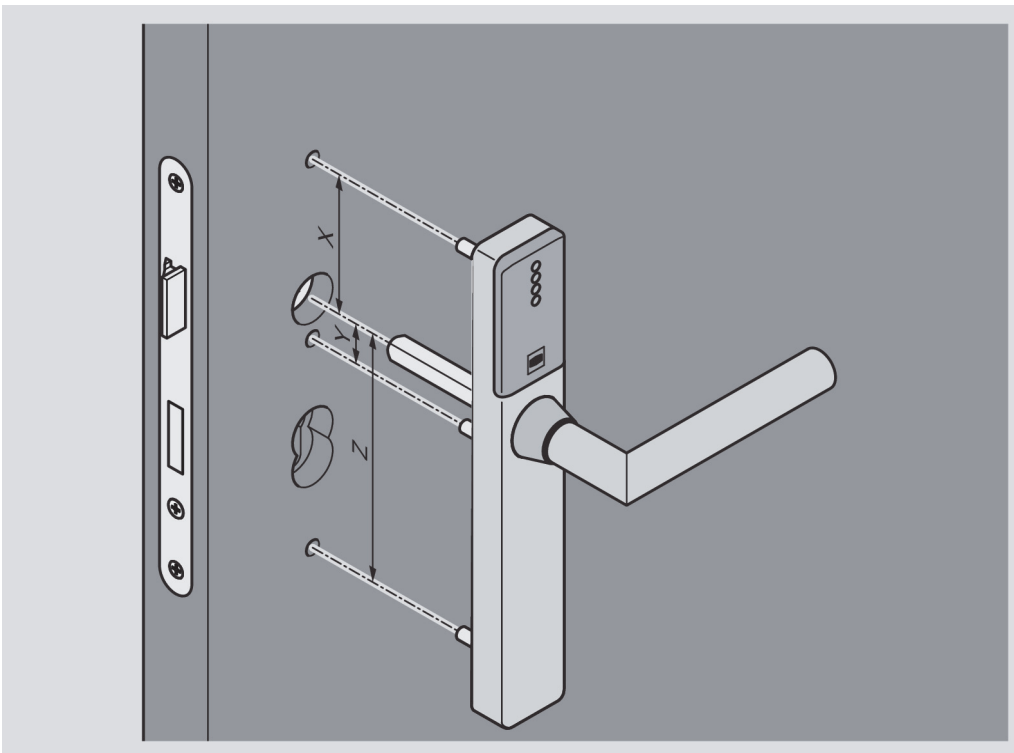
You must attach the spindle and lever handle to the handle prior to attaching the handle in position.

- i The attachment of the lever handle to the electronic handle is described from page 63 onwards.
The attachment of the spindle is described from page 67 onwards.
The attachment of the spindle with reducing bushes is described from page 70 onwards.

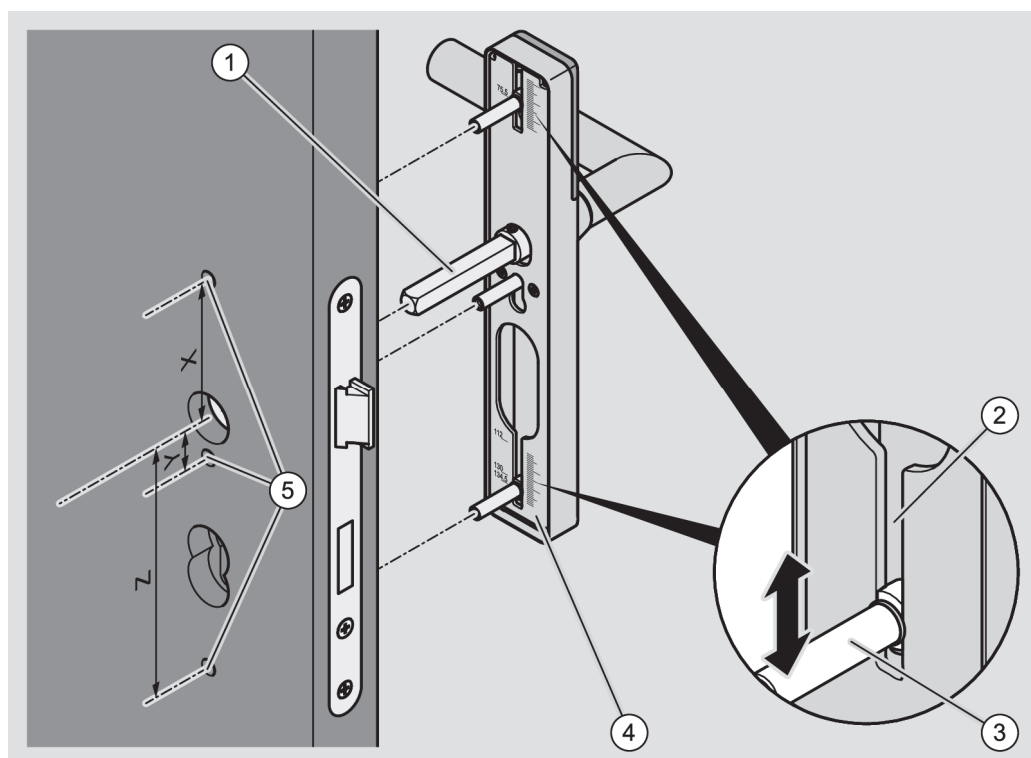
The assembly profiles are attached on both sides of the door and screwed together. Threaded bushes are inserted into the outer assembly profile for this purpose. The inner assembly profile is attached with long screws which are screwed into the threaded bushes.

The position of the screw connections depends on the position of the drill holes which are present on the door and the lock. Guide slots are present in the assembly profiles in which the threaded bushes can be moved to the correct positions for the corresponding attachment points. Corresponding scales are attached alongside the guide slots for this purpose.

- ▶ Measure the distance “X” between the middle of the coupling nut and the upper attachment point in the door leaf.
- ▶ Measure the distance “Y” between the middle of the coupling nut and the attachment point below the coupling nut.
- ▶ Measure the distance “Z” between the middle of the coupling nut and the lower attachment point in the door leaf.

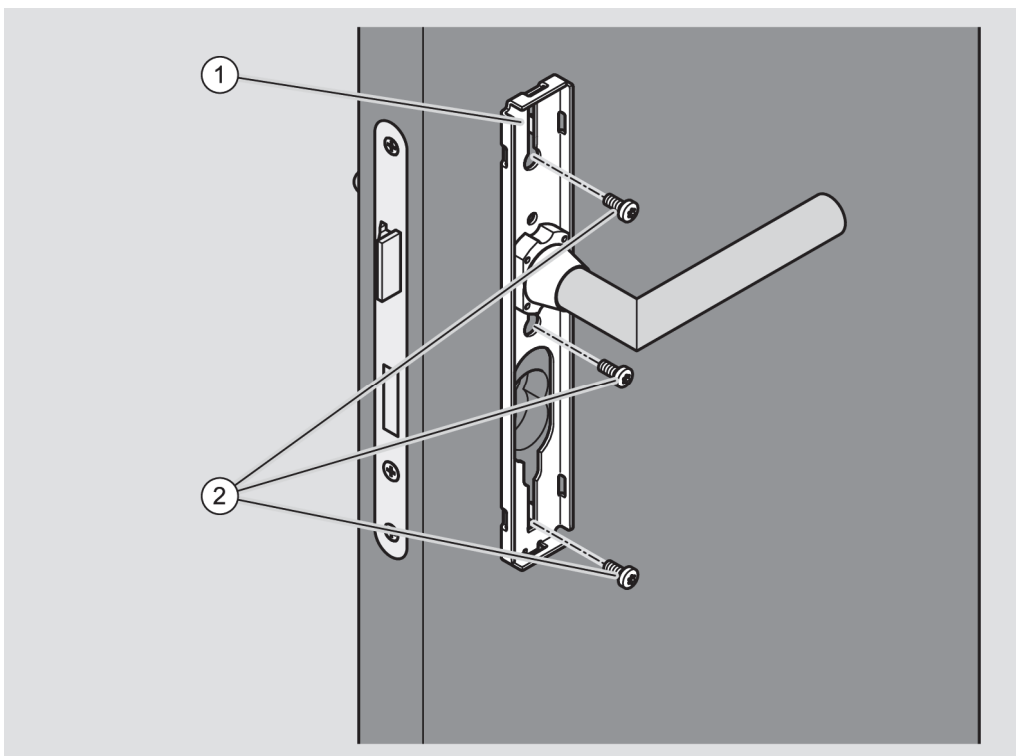


- ▶ Insert the three threaded bushes (3) through the respective recess into the guide slots (2) in the assembly profile as shown.
 - ▶ Push the threaded bushes to the desired positions in line with the measurements established.
- i** Scales are attached on the rear of the assembly profile next to the upper and lower guide slot for this purpose.
- ▶ Ensure that the lever handle on the inside handle is aligned correctly (see page 61).
 - ▶ When using adapter sleeves, make sure that these are attached correctly (see page 70).
 - ▶ Guide the spindle (1) into the spindle hub and the threaded bushes into the drill holes (5) on the door.
 - ▶ If necessary, move the threaded bushes until the threaded bushes can be inserted easily into the drill holes.
 - ▶ Press the assembly profile (4) on the door leaf until it comes to a stop.



Proceed as follows to attach the inner handle with the installed and aligned lever handle:

- ▶ Place the lever handle on the spindle protruding on the inside of the door.
- ▶ Press the assembly profile (1) onto the door leaf.
- ▶ Insert the three long screws (2) through the guide slots on the assembly profile into the drill holes of the attachment points as shown.
- ▶ If necessary, move the long screws until they can be inserted easily into the drill holes and screwed into the threaded bushes.
- ▶ Screw the three long screws into the threaded bushes so they are hand tight.
- ▶ Check the lever handle for ease of movement.
- ▶ Release the centre long screw a little if the lever handle does not move easily.
- ▶ Check the lever handle for ease of movement once again.



ATTENTION!

It is possible to damage the surface of the lever handle when fitting the cover.

- ▶ Do not use any force when installing the covers of handles.
- ▶ Twist the cover round the lever handle while fitting in order to avoid contact.
- ▶ Ensure that the cover and the lever handle do not touch when fitting the cover.


The cover of the mechanical handle is only put loosely in place on delivery. You must press the cover onto the assembly profile until it clicks audibly into place.

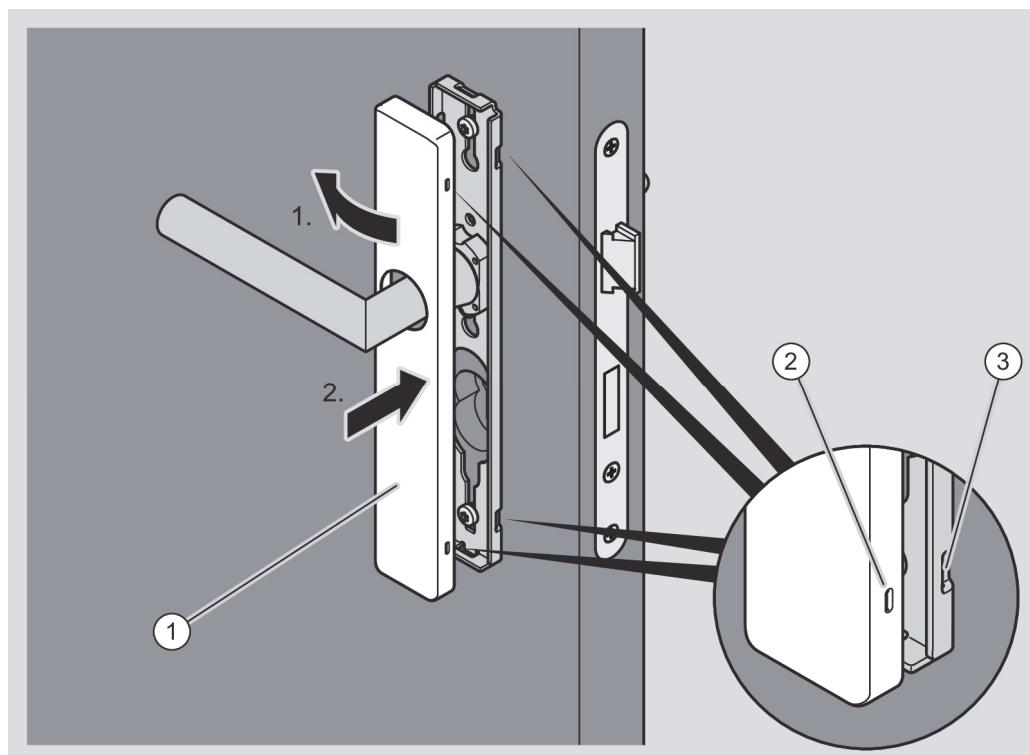
ATTENTION!	
	Distortion of the cover possible due to forceful pressing. <ul style="list-style-type: none"> ▶ Press the cover carefully until it clicks into the locking points. ▶ Use the heel of the hand to strike the outer edge of the cover lightly if necessary.

- ▶ Place the cover (1) over the lever handle as shown.

You must twist the cover when putting it in position if this is necessary.

- ▶ Press the cover laterally onto the assembly profile (1.) until the locking points of the cover (2) are in contact with the locking points of the assembly profile (3) (1.).
- ▶ Press the other side of the cover onto the assembly profile in such a way that the locking points audibly click into place (2.).

 The diagram which follows shows an example of the attachment.





- ▶ Check the outer lever handle for flawless functioning (coupling).

If the outer lever handle does not couple flawlessly, align it as follows:

- ▶ Remove the cover of the outer handle as described in section “Removing handle” from page 251 onwards.
- ▶ Align the outer lever handle horizontally as described from page 63 onwards.

The horizontal positions of the outer lever handle and inner lever handle must match.

- ▶ Reattach the cover to the assembly profile.

Installing handle and screwing on

If you cannot attach the handle by screwing right through, you must screw it on the door with short screws. For this purpose you require two short screws for the electronic handle and three short screws for the mechanical handle.

i The short screws which are supplied are only suitable for metal doors with pre-drilled threads. You can obtain suitable screws for doors made of different material via specialist retailers.

The screws must be of the same diameter as the screws supplied and the heads must be uniform. The head of the short screw must be wider than the drill hole (5 mm). It may have a maximum diameter of 9.8 mm and a maximum height of 4 mm.

- Consult a specialist retailer for advice about suitable short screws for door leaves made of different materials.
- Select the correct short screws in line with the door leaf thickness of the door and the position of the lock.

i You can pre-drill the screwing points in order to guarantee safe screwing.

i If you just want to screw the assembly profile on the door with short screws, you must remove the cover prior to assembly.

ATTENTION!	
	<p>It is possible to damage the surface of the lever handle when removing the cover.</p> <ul style="list-style-type: none"> ▶ Do not use any force when removing covers from handles. ▶ Twist the cover round the lever handle while pulling it off in order to avoid contact.

ATTENTION!	
	<p>Damage to the electronic components of the handle due to contact possible.</p> <ul style="list-style-type: none"> ▶ Do not touch the electronic components of the handle. ▶ Touch an earthed object made of metal to discharge any electrostatic charge before continuing work.

A heater or tap are examples of suitable earthed objects.

- ▶ If necessary remove the cover from the electronic assembly profile as described from page 254 onwards.

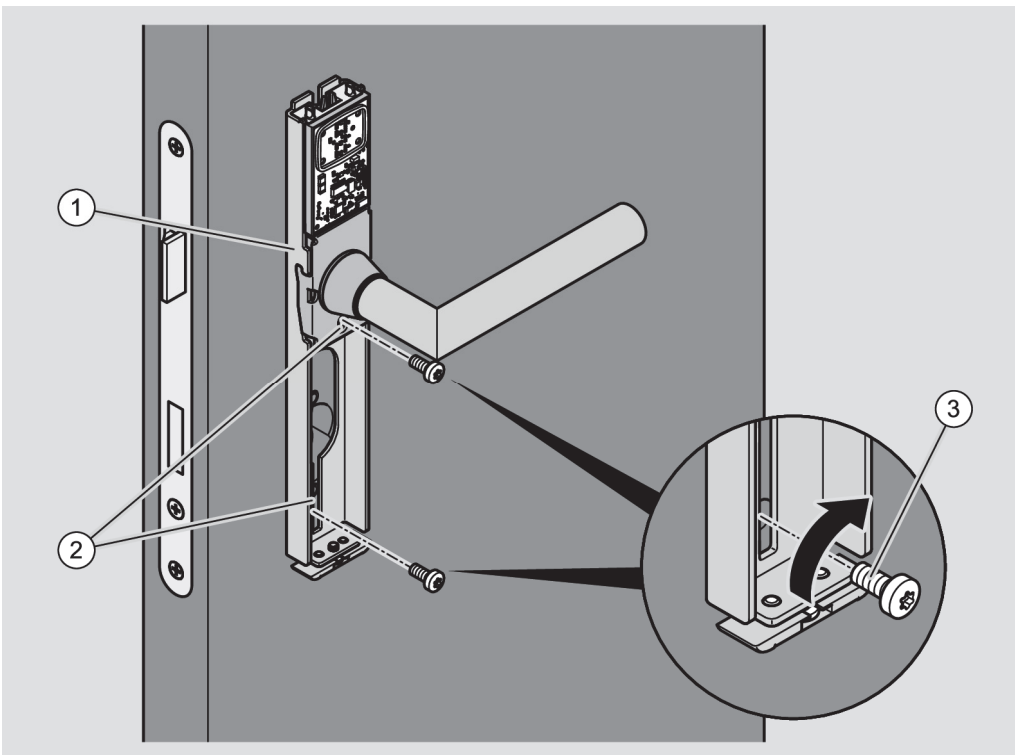
You must attach the spindle and lever handle to the handle prior to attaching the handle in position.

i The attachment of the lever handle to the electronic handle is described from page 63 onwards.

The attachment of the spindle is described from page 67 onwards.

The attachment of the spindle with reducing bushes is described from page 70 onwards.

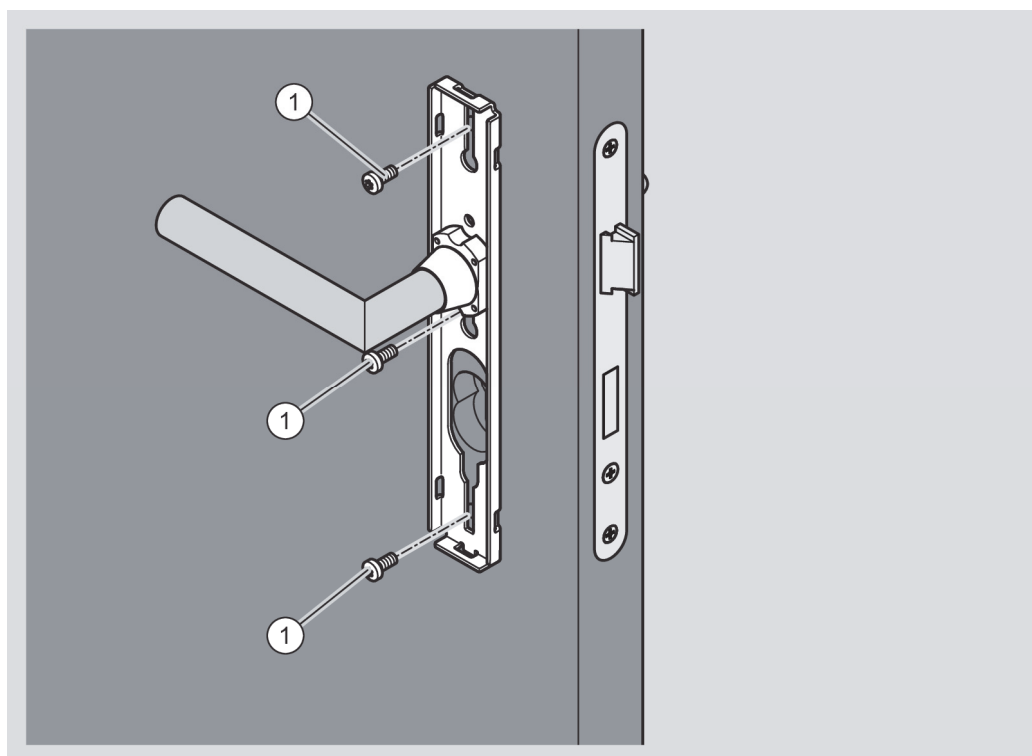
- ▶ Insert the spindle in the electronic assembly profile (1) on the outside into the spindle hub.
- ▶ Press the assembly profile on the door leaf until it comes to a stop.
- ▶ Insert two suitable short screws (3) into the centre and lower drill hole (2).
- ▶ Tighten the centre short screw so it is hand tight.
- ▶ Tighten the lower short screw so it is hand tight.



- ▶ Ensure that the lever handle on the inside handle is aligned correctly (see page 61).
- ▶ When using adapter sleeves, make sure that these are attached correctly (see page 70).
- ▶ Place the lever handle on the spindle protruding on the inside of the door.
- ▶ Press the assembly profile onto the door leaf.
- ▶ Insert the three short screws (1) through the guide slots on the assembly profile as shown.

ATTENTION!	
	<p>Damage to the lock possible if screws are too long.</p> <ul style="list-style-type: none"> ▶ Ensure that the screwing does not damage the lock. ▶ Use shorter screws at screwing points close to the lock if necessary.

- ▶ Screw the three short screws into the drill holes so they are hand tight.
- ▶ Check the lever handle for ease of movement.
- ▶ Release the centre short screw a little if the lever handle does not move easily.
- ▶ Check the lever handle for ease of movement once again.





ATTENTION!

It is possible to damage the surface of the lever handle when fitting the cover.

- ▶ Do not use any force when installing the covers of handles.
- ▶ Twist the cover round the lever handle while fitting in order to avoid contact.
- ▶ Ensure that the cover and the lever handle do not touch when fitting the cover.

The cover of the mechanical handle is only put loosely in place on delivery. You must press the cover onto the assembly profile until it clicks audibly into place.

ATTENTION!


Distortion of the cover possible due to forceful pressing.

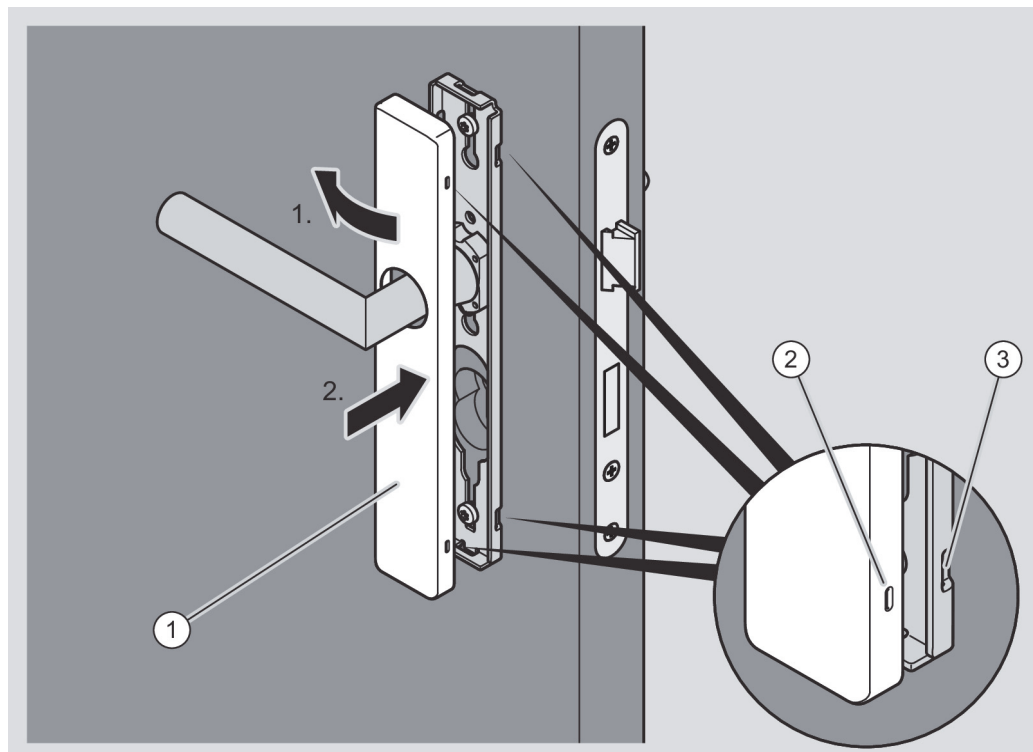
- ▶ Press the cover carefully until it clicks into the locking points.
- ▶ Use the heel of the hand to strike the outer edge of the cover lightly if necessary.

- ▶ Place the cover (1) over the lever handle as shown.

You must twist the cover when putting it in position if this is necessary.

- ▶ Press the cover laterally onto the assembly profile (1.) until the locking points of the cover (2) are in contact with the locking points of the assembly profile (3) (1.).
- ▶ Press the other side of the cover onto the assembly profile in such a way that the locking points audibly click into place (2.).

 The diagram which follows shows an example of the attachment.



ATTENTION!

Damage to the electronic components of the handle due to contact possible.

- ▶ Do not touch the electronic components of the handle.
- ▶ Touch an earthed object made of metal to discharge any electrostatic charge before continuing work.

A heater or tap are examples of suitable earthed objects.

i An electronic GUARD Slimline Compact is presented in the following section. The procedure for other electronic handles is the same as the one described here.

- ▶ Place the cover over the lever handle.

You must twist the cover if this is necessary.

- ▶ Place the cover (1) on the assembly profile from above first of all as shown.
- ▶ Then press the cover onto the assembly profile from above and below (1.).
- ▶ Ensure that the recess at the bottom of the cover is correctly positioned on the cover closure.

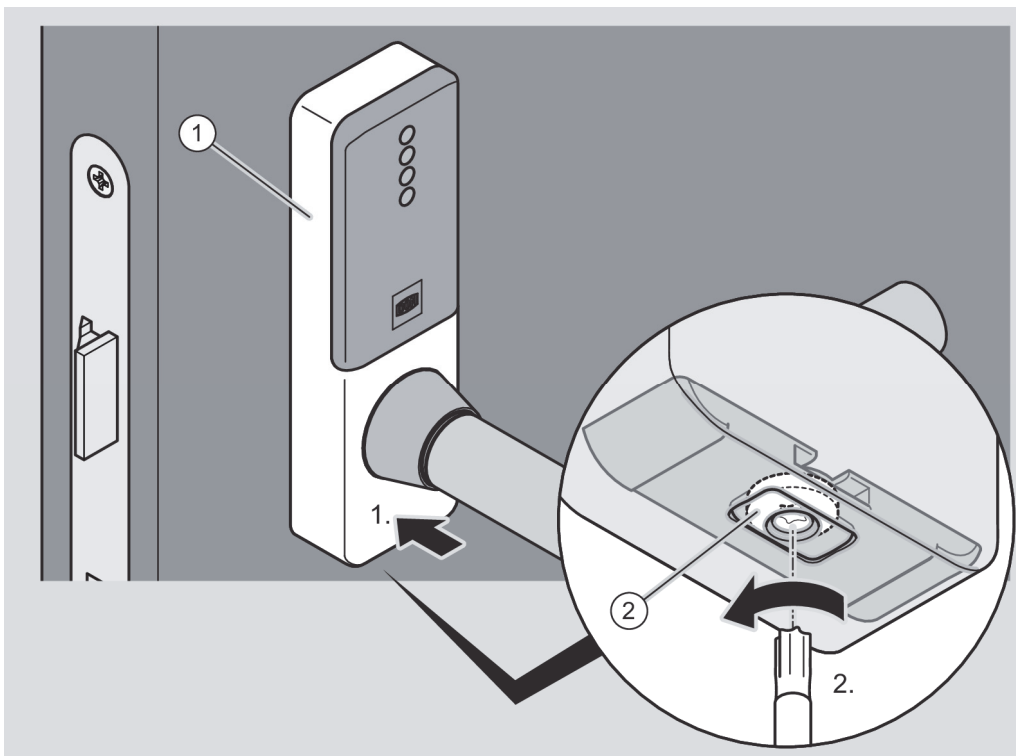
ATTENTION!

Damage to the cover possible due to excessive tightening of the screw.

- ▶ Only tighten the screw (2) so that the plate of the cover closure holds the cover securely.

- ▶ Turn the screw (2) on the underside of the cover in an anticlockwise direction to close the cover closure (2.).

The plate of the cover closure is pushed into the recess on the cover and it locks the cover.



- ▶ Check the outer lever handle for flawless functioning (coupling).

If the outer lever handle does not couple flawlessly, align it as follows:

- ▶ Remove the cover of the outer handle as described in section "Removing handle" from page 251 onwards.

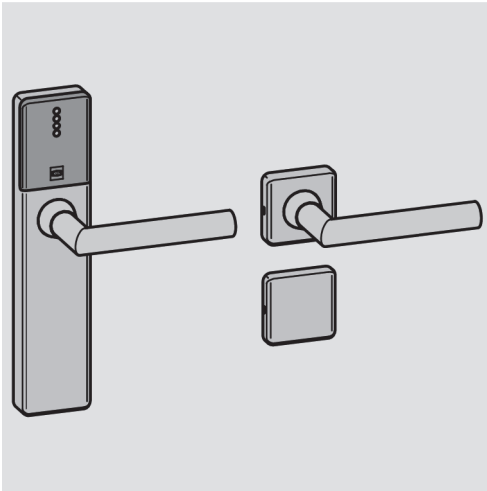


- ▶ Align the outer lever handle horizontally as described from page 63 onwards.

The horizontal positions of the outer lever handle and inner lever handle must match.

- ▶ Reattach the cover to the assembly profile.

GUARD Wideline set reading on one side with rosettes



Installing handle and screwing right through

You can attach the GUARD Wideline laterally on the outer assembly profile with four catch sleeves next to one another in pairs. Handle rosette and cylinder rosette are attached on the inside. You must remove the cover of the electronic handle from the assembly profile for this attachment.

- ❗ You must hold the catch sleeves in place until the assembly profile is in contact with the door leaf. You can also use assembly aids which can be supplied separately for this purpose.

You must attach the spindle and lever handle to the handle prior to attaching the handle in position.

- ❗ The attachment of the lever handle to the electronic handle is described from page 63 onwards.
The attachment of the spindle is described from page 67 onwards.
The attachment of the spindle with reducing bushes is described from page 70 onwards.

ATTENTION!

It is possible to damage the surface of the lever handle when removing the cover.

- ▶ Do not use any force when removing covers from handles.
- ▶ Twist the cover round the lever handle while pulling it off in order to avoid contact.

ATTENTION!

Damage to the electronic components of the handle due to contact possible.

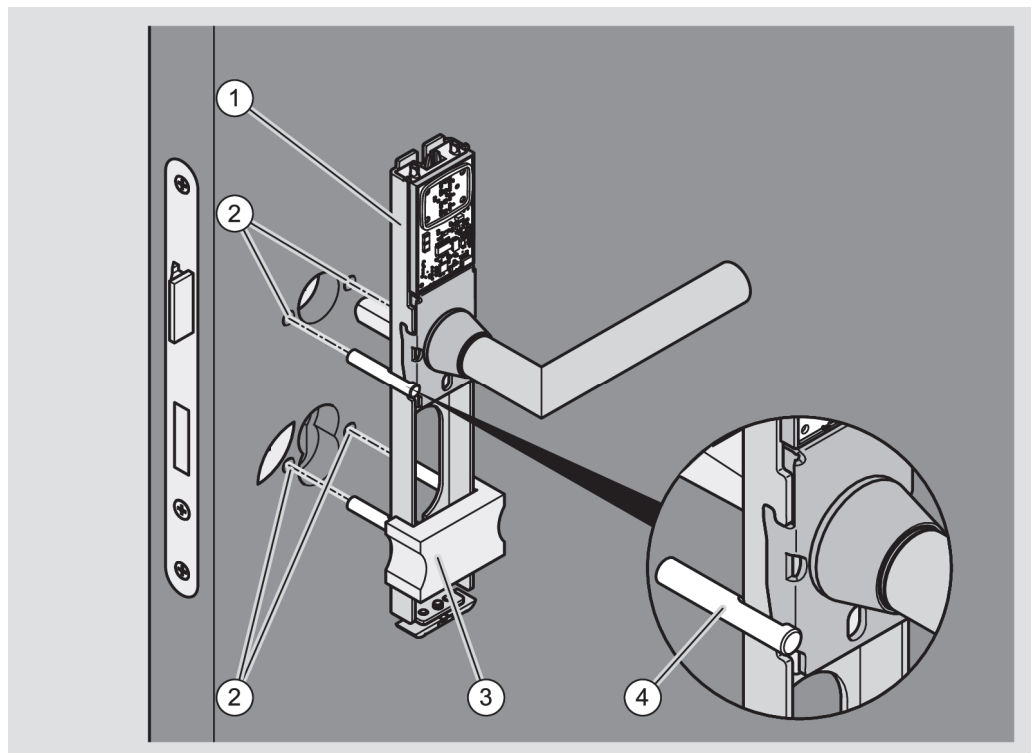
- ▶ Do not touch the electronic components of the handle.
- ▶ Touch an earthed object made of metal to discharge any electrostatic charge before continuing work.

A heater or tap are examples of suitable earthed objects.

- ▶ If necessary remove the cover from the electronic assembly profile as described from page 254 onwards.
- ▶ Attach the four catch sleeves (4) to the lateral gripping points of the assembly profile as shown.
- ▶ Place the assembly aid (3) on the catch sleeves if available.

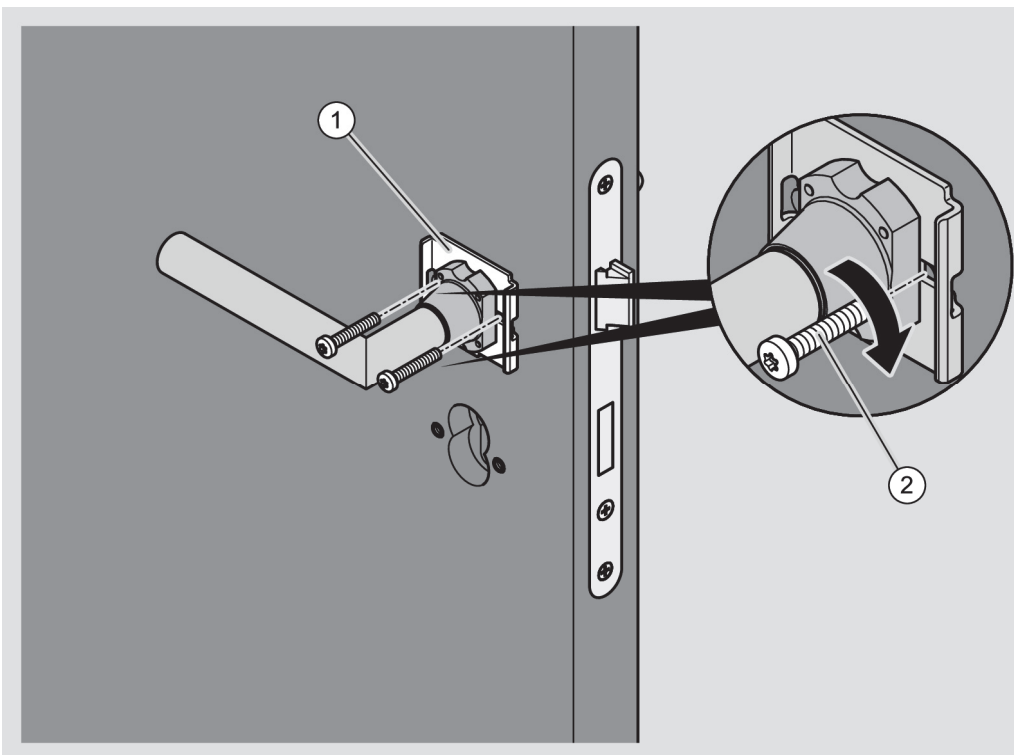
Just one assembly aid is shown in the diagram which follows. Use an assembly aid for each of the two pairs of catch sleeves if possible.

- ▶ Insert the spindle into the spindle hub.
- ▶ Insert the catch sleeves into the drill holes (2) on the door.
- ▶ If necessary, move the lower catch sleeves until the catch sleeves can be inserted easily into the drill holes.
- ▶ Press the assembly profile (1) on the door leaf until it comes to a stop.
- ▶ Remove the assembly aid if you have used one.



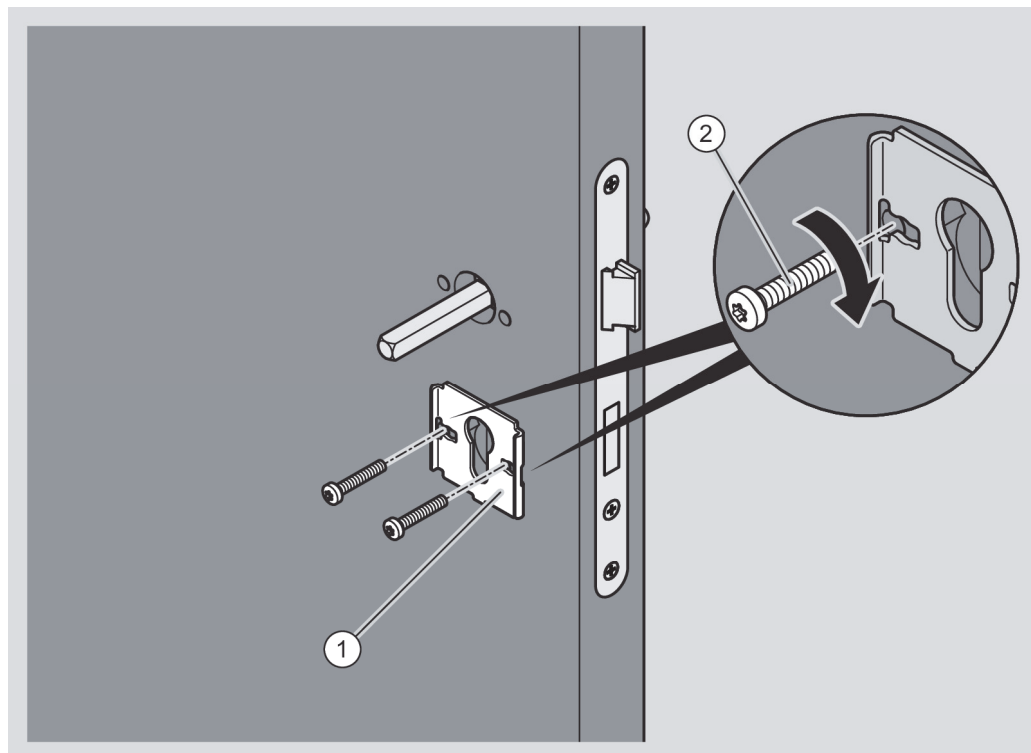
Always install the lever handle fittings/rosettes first for two-part handles. Only install the cylinder rosettes once the lever handle fittings/rosettes have been installed.

- ▶ If necessary remove the cover from the assembly profile as described from page 251 onwards.
- ▶ Ensure that the lever handle on the inside handle is aligned correctly (see page 61).
- ▶ When using adapter sleeves, make sure that these are attached correctly (see page 70).
- ▶ Press the assembly profile of the inner lever handle rosette onto the door leaf.
- ▶ Insert the two long screws (2) through the guide slots on the assembly profile (1) of the lever handle rosette into the drill holes as shown.
- ▶ Screw the long screws into the threaded bushes so they are hand tight.
- ▶ Check the lever handle for ease of movement.
- ▶ Release the long screws a little if the lever handle does not move easily.



- ▶ Press the assembly profile on the inside of the door onto the door leaf.
- ▶ Insert the two long screws (2) through the guide slots on the assembly profile (1) of the cylinder rosette into the drill holes of the door as shown.
- ▶ Screw the long screws into the threaded bushes so they are hand tight.

i The lever handle rosette is not shown in the section which follows.



ATTENTION!

It is possible to damage the surface of the lever handle when fitting the cover.

- ▶ Do not use any force when installing the covers of handles.
- ▶ Twist the cover round the lever handle while fitting in order to avoid contact.
- ▶ Ensure that the cover and the lever handle do not touch when fitting the cover.

i An electronic GUARD Slimline Compact is presented in the following section. The procedure for other electronic handles is the same as the one described here.

- ▶ Place the cover over the lever handle.

You must twist the cover if this is necessary.

- ▶ Place the cover (1) on the assembly profile from above first of all as shown.
- ▶ Then press the cover onto the assembly profile from above and below (1.).
- ▶ Ensure that the recess at the bottom of the cover is correctly positioned on the cover closure.

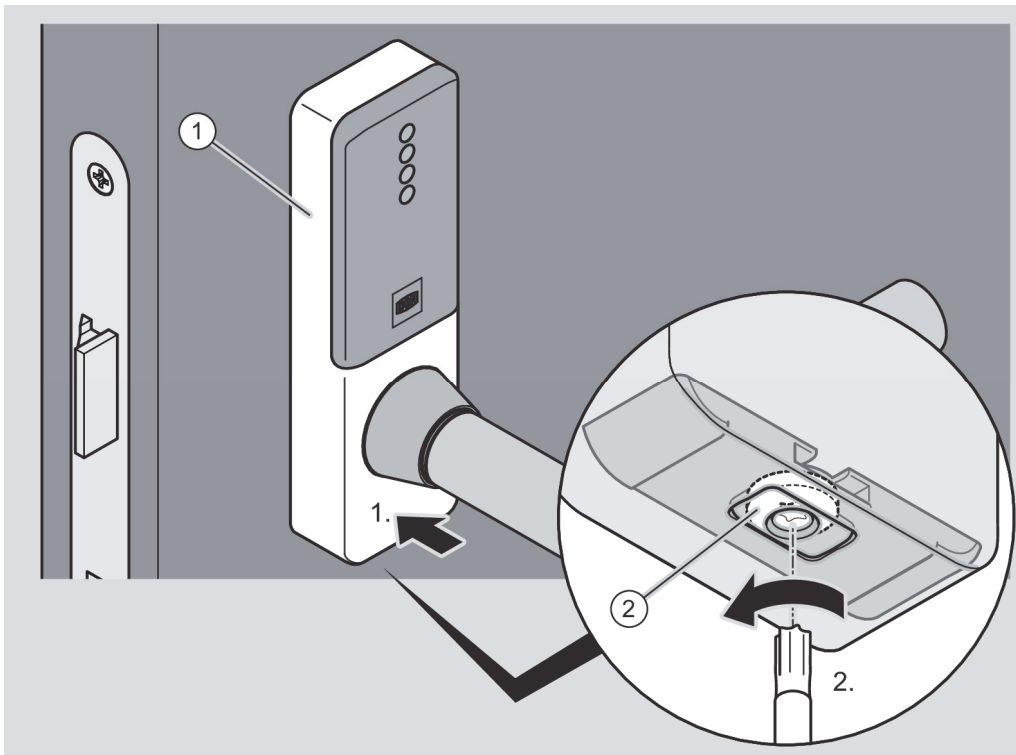
ATTENTION!

Damage to the cover possible due to excessive tightening of the screw.

- ▶ Only tighten the screw (2) so that the plate of the cover closure holds the cover securely.

- ▶ Turn the screw (2) on the underside of the cover in an anticlockwise direction to close the cover closure (2.).

The plate of the cover closure is pushed into the recess on the cover and it locks the cover.



- i** The attachment of the cover of a rosette for Slimline is presented in the sections which follow as an example.

ATTENTION!

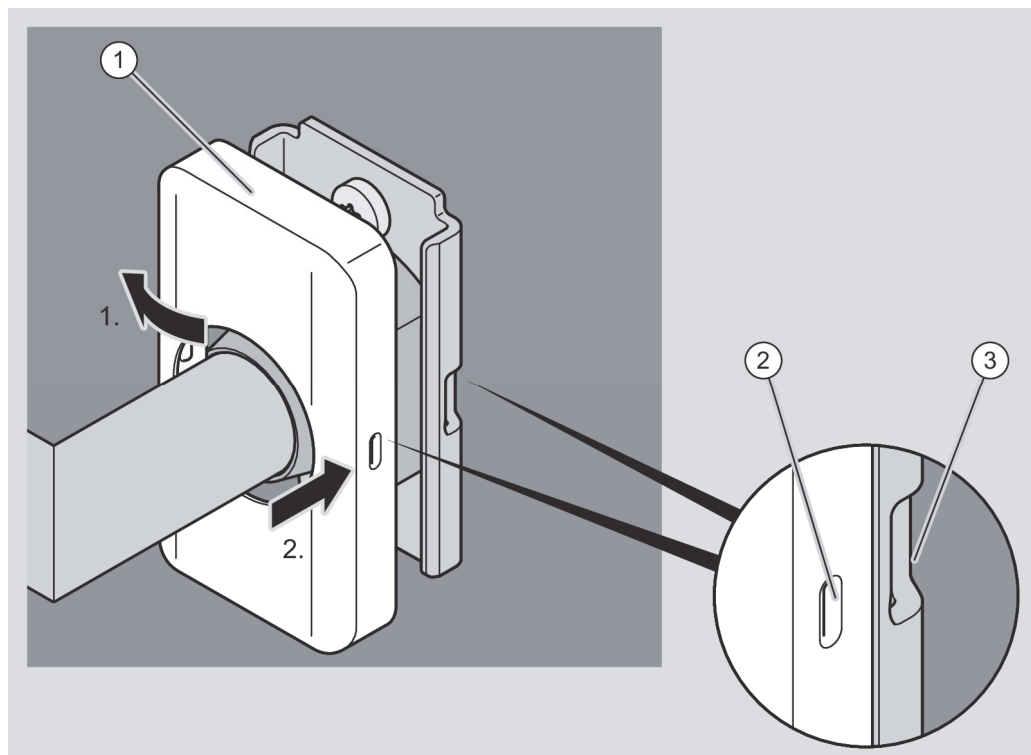
Distortion of the cover possible due to forceful pressing.

- ▶ Press the cover carefully until it clicks into the locking points.
- ▶ Use the heel of the hand to strike the edge of the cover lightly if necessary.

- ▶ Place the cylinder rosette (1) on the assembly profile as shown.

You must twist the lever handle rosette when putting it in position if this is necessary.

- ▶ Press the cylinder rosette laterally onto the assembly profile (1.) until the locking point of the cover (2) is in contact with the locking point of the assembly profile (3) (1.).
- ▶ Press the other side of the cover onto the assembly profile in such a way that the locking point audibly clicks into place (2).



ATTENTION!

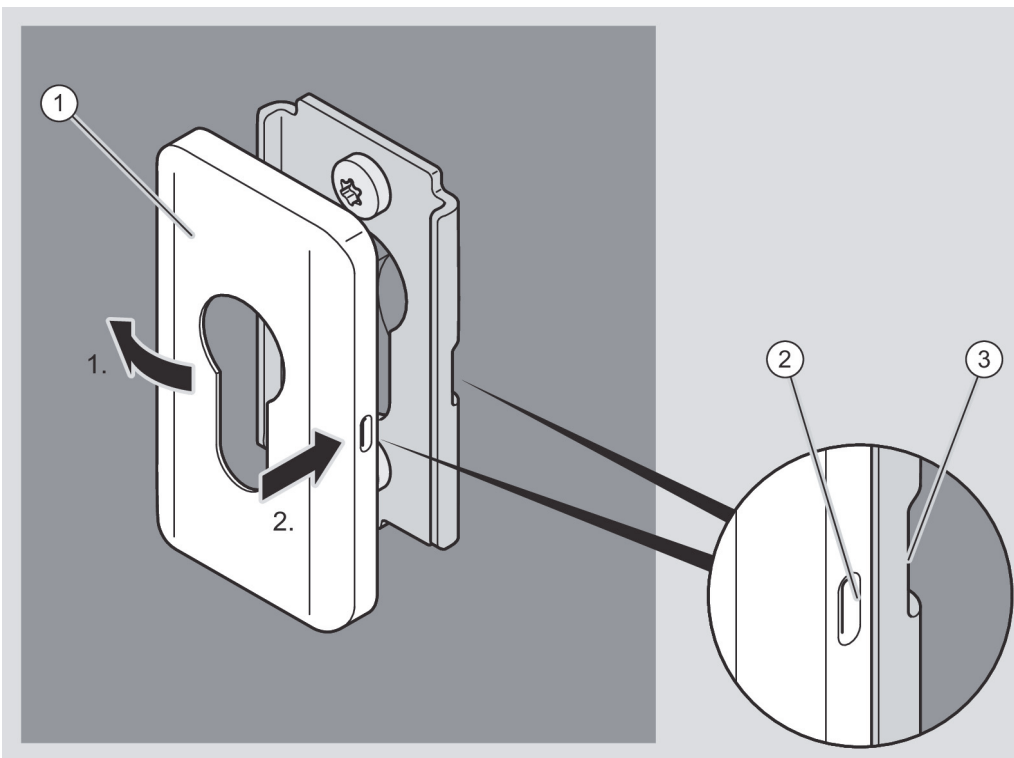
Distortion of the cover possible due to forceful pressing.

- ▶ Press the cover carefully until it clicks into the locking points.
- ▶ Use the heel of the hand to strike the edge of the cover lightly if necessary.

▶ Place the cover of the cylinder rosette (1) on the assembly profile as shown.

You must twist the cover of the cylinder rosette when putting it in position if this is necessary.

- ▶ Press the cover of the cylinder rosette laterally onto the assembly profile (1.) until the locking point of the cover (2) is in contact with the locking point of the assembly profile (3) (1.).
- ▶ Press the other side of the cover onto the assembly profile in such a way that the locking point audibly clicks into place (2).



▶ Check the outer lever handle for flawless functioning (coupling).

If the outer lever handle does not couple flawlessly, align it as follows:

- ▶ Remove the cover of the outer handle as described in section "Removing handle" from page 251 onwards.



- ▶ Align the outer lever handle horizontally as described from page 63 onwards.

The horizontal positions of the outer lever handle and inner lever handle must match.

- ▶ Reattach the cover to the assembly profile.



Installing handle and screwing on

If you cannot attach the handle by screwing all the way through, you can screw the assembly profiles on the outside and inside onto the door leaf with six short screws. You must remove the covers from the handles for this purpose.

i The short screws which are supplied are only suitable for metal doors with pre-cut M5 threads. You can obtain suitable screws for doors made of different material via specialist retailers.

The screws must be of the same length as the screws supplied and the heads must be uniform. The head of the short screw must be wider than the drill hole (5.5 mm). It may have a maximum diameter of 9.8 mm and a maximum height of 4 mm.

- Consult a specialist retailer for advice about suitable short screws for your door.

i You can pre-drill the screwing points in order to guarantee safe screwing.

ATTENTION!	
	It is possible to damage the surface of the lever handle when removing the cover. <ul style="list-style-type: none"> ▶ Do not use any force when removing covers from handles. ▶ Twist the cover round the lever handle while pulling it off in order to avoid contact.

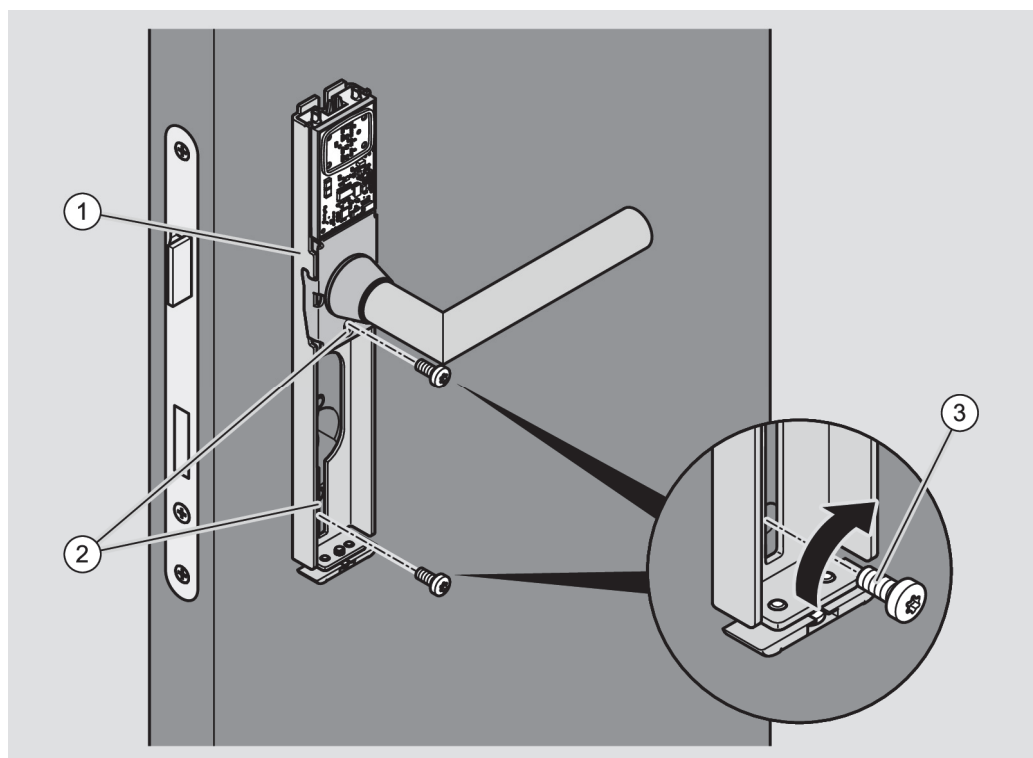
ATTENTION!	
	Damage to the electronic components of the handle due to contact possible. <ul style="list-style-type: none"> ▶ Do not touch the electronic components of the handle. ▶ Touch an earthed object made of metal to discharge any electrostatic charge before continuing work.

A heater or tap are examples of suitable earthed objects.

- ▶ If necessary remove the cover from the electronic assembly profile as described from page 254 onwards.

You must attach the spindle and lever handle to the handle prior to attaching the handle in position.

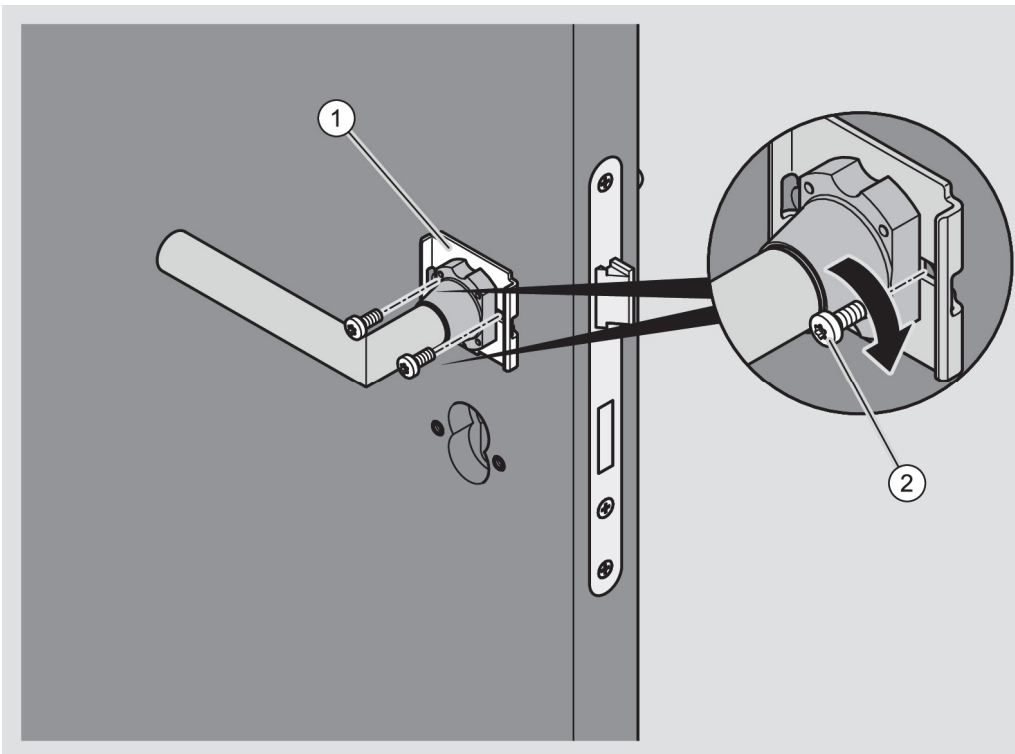
- i** The attachment of the lever handle to the electronic handle is described from page 63 onwards.
 The attachment of the spindle is described from page 67 onwards.
 The attachment of the spindle with reducing bushes is described from page 70 onwards.
 - i** A GUARD Slimline long plate is presented in the section which follows.
 The procedure for other handles is no different from the one described here.
- ▶ Insert the spindle in the electronic assembly profile (1) on the outside into the spindle hub.
 - ▶ Press the assembly profile on the door leaf until it comes to a stop.
 - ▶ Insert two suitable short screws (3) into the centre and lower drill hole (2).
 - ▶ Tighten the centre short screw so it is hand tight.
 - ▶ Tighten the lower short screw so it is hand tight.



- ▶ Check the lever handle for ease of movement.
- ▶ Release the centre short screw a little if the lever handle does not move easily.
- ▶ Check the lever handle for ease of movement once again.

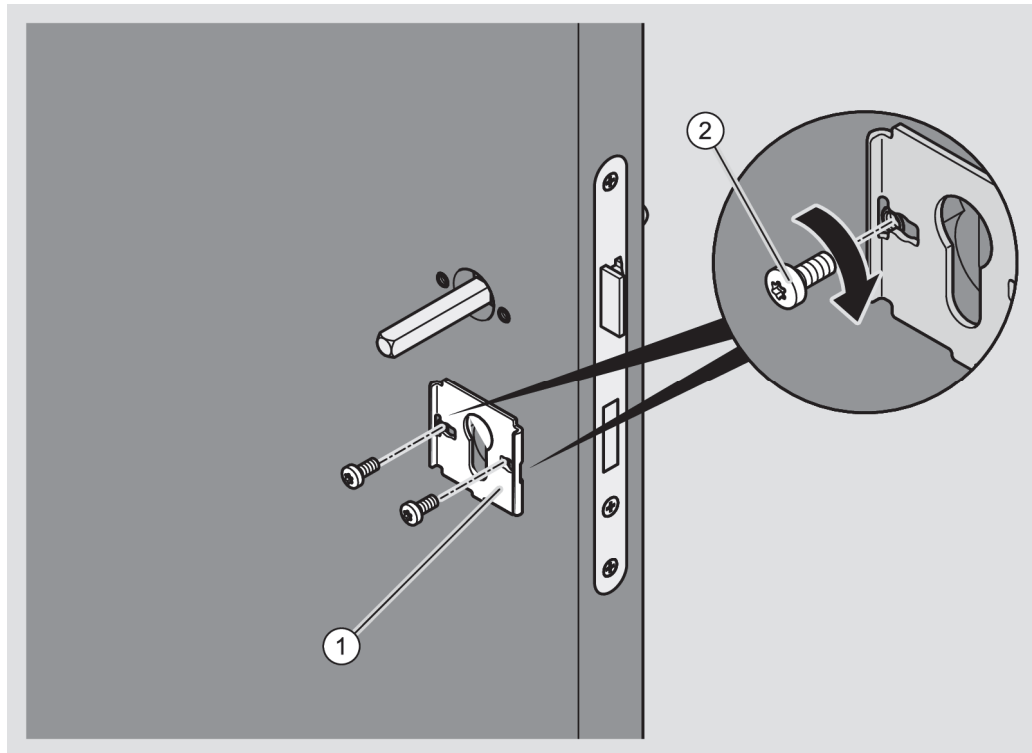
Always install the lever handle fittings/rosettes first for two-part handles. Only install the cylinder rosettes once the lever handle fittings/rosettes have been installed.

- ▶ Ensure that the lever handle on the inside handle is aligned correctly (see page 61).
- ▶ When using adapter sleeves, make sure that these are attached correctly (see page 70).
- ▶ Screw the assembly profile (1) of the lever handle rosette on the inside onto the door leaf with two short screws (2).
- ▶ Check the lever handle for ease of movement.
- ▶ Release the short screws a little if the lever handle does not move easily.
- ▶ Check the lever handle for ease of movement once again.



- ▶ Screw the assembly profile (1) of the cylinder rosette on the inside onto the door leaf with two short screws (2).

i The lever handle rosette is not shown in the section which follows.



i The attachment of the cover of a rosette for Slimline is presented in the sections which follow as an example.

ATTENTION!

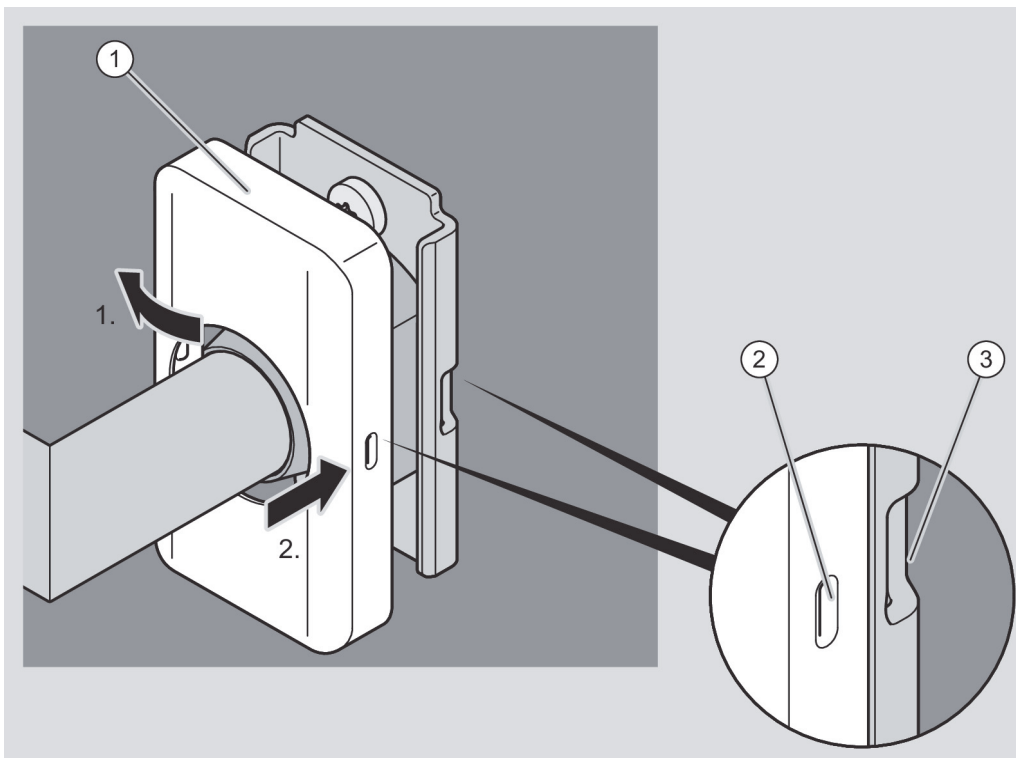
Distortion of the cover possible due to forceful pressing.

- ▶ Press the cover carefully until it clicks into the locking points.
- ▶ Use the heel of the hand to strike the edge of the cover lightly if necessary.

- ▶ Place the cylinder rosette (1) on the assembly profile as shown.

You must twist the lever handle rosette when putting it in position if this is necessary.

- ▶ Press the cylinder rosette laterally onto the assembly profile (1.) until the locking point of the cover (2) is in contact with the locking point of the assembly profile (3) (1.).
- ▶ Press the other side of the cover onto the assembly profile in such a way that the locking point audibly clicks into place (2).



ATTENTION!

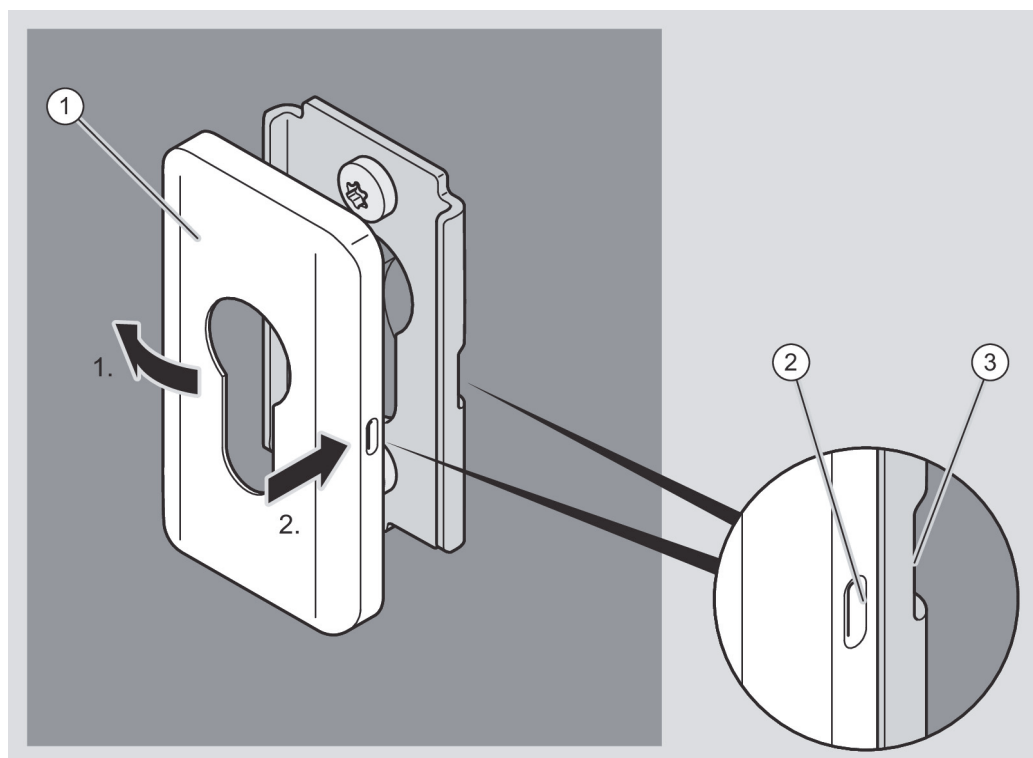
Distortion of the cover possible due to forceful pressing.

- ▶ Press the cover carefully until it clicks into the locking points.
- ▶ Use the heel of the hand to strike the edge of the cover lightly if necessary.

▶ Place the cover of the cylinder rosette (1) on the assembly profile as shown. You must twist the cover of the cylinder rosette when putting it in position if this is necessary.

▶ Press the cover of the cylinder rosette laterally onto the assembly profile (1.) until the locking point of the cover (2) is in contact with the locking point of the assembly profile (3) (1.).

▶ Press the other side of the cover onto the assembly profile in such a way that the locking point audibly clicks into place (2).





- ① An electronic GUARD Slimline Compact is presented in the following section. The procedure for other electronic handles is the same as the one described here.

ATTENTION!	
	<p>Damage to the electronic components of the handle due to contact possible.</p> <ul style="list-style-type: none">▶ Do not touch the electronic components of the handle.▶ Touch an earthed object made of metal to discharge any electrostatic charge before continuing work.

A heater or tap are examples of suitable earthed objects.

- ▶ Place the cover over the lever handle.

You must twist the cover if this is necessary.

- ▶ Place the cover (1) on the assembly profile from above first of all as shown.
- ▶ Then press the cover onto the assembly profile from above and below (1.).
- ▶ Ensure that the recess at the bottom of the cover is correctly positioned on the cover closure.

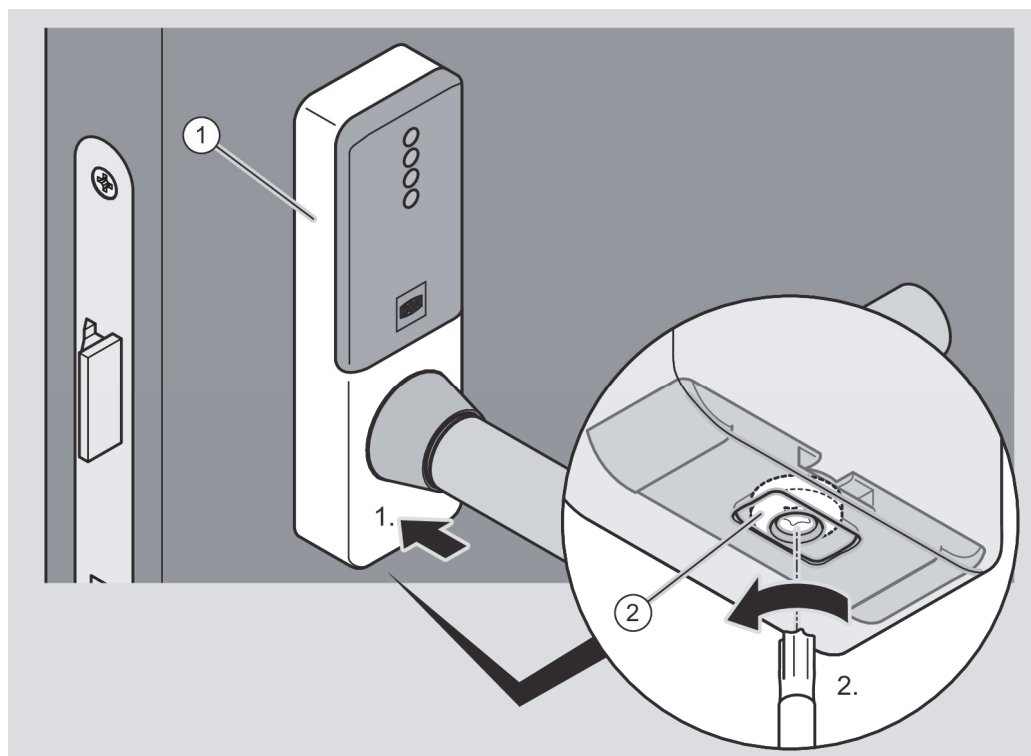
ATTENTION!

Damage to the cover possible due to excessive tightening of the screw.

- ▶ Only tighten the screw (2) so that the plate of the cover closure holds the cover securely.

- ▶ Turn the screw (2) on the underside of the cover in an anticlockwise direction to close the cover closure (2.).

The plate of the cover closure is pushed into the recess on the cover and it locks the cover.



- ▶ Check the outer lever handle for flawless functioning (coupling).

If the outer lever handle does not couple flawlessly, align it as follows:

- ▶ Remove the cover of the outer handle as described in section "Removing handle" from page 251 onwards.

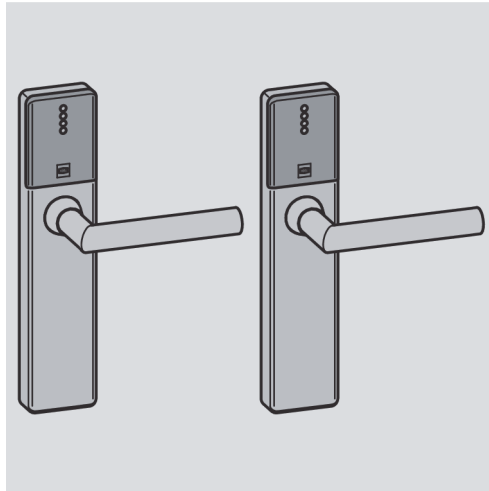


- ▶ Align the outer lever handle horizontally as described from page 63 onwards.

The horizontal positions of the outer lever handle and inner lever handle must match.

- ▶ Reattach the cover to the assembly profile.

GUARD Wideline set reading on both sides



Installing handle and screwing right through

You must attach the spindle and lever handle to the handle prior to attaching the handle in position.

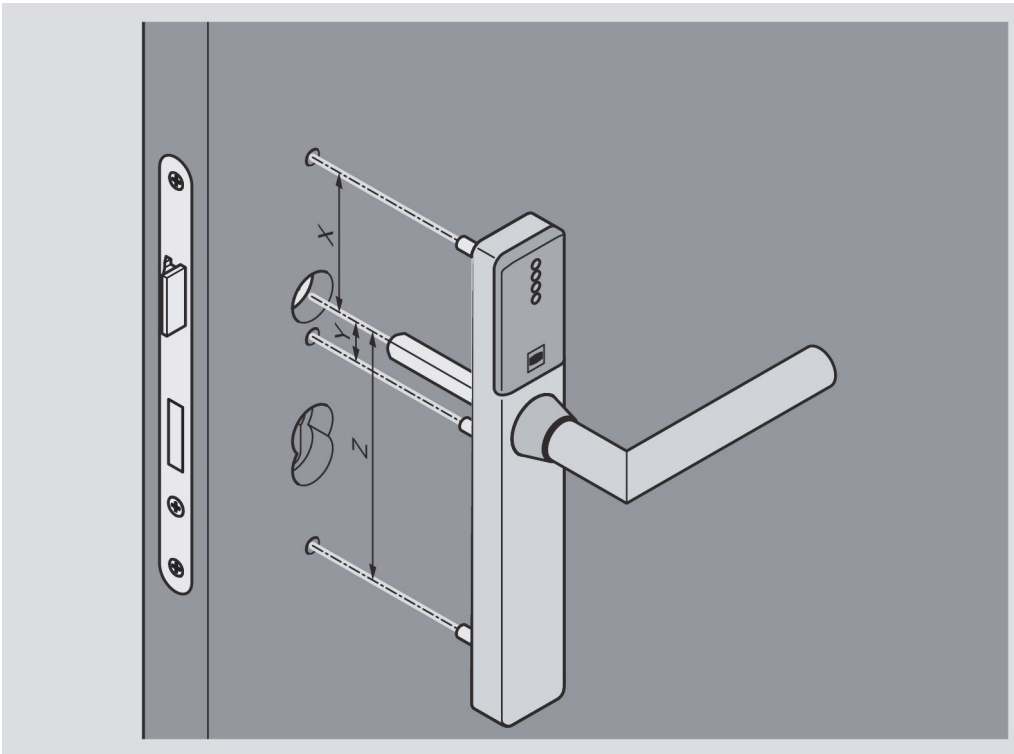
- ❗ The attachment of the lever handle to the electronic handle is described from page 63 onwards.
The attachment of the spindle is described from page 67 onwards.
The attachment of the spindle with reducing bushes is described from page 70 onwards.
- ▶ Ensure that the spindle is of the correct length as described from page 68 onwards.
- ❗ A GUARD Slimline long plate is presented in the section which follows.
The procedure for other handles is no different from the one described here.

The assembly profiles are attached on both sides of the door and screwed together. Threaded bushes are inserted into the outer assembly profile for this purpose. The inner assembly profile is attached with long screws which are screwed into these threaded bushes.

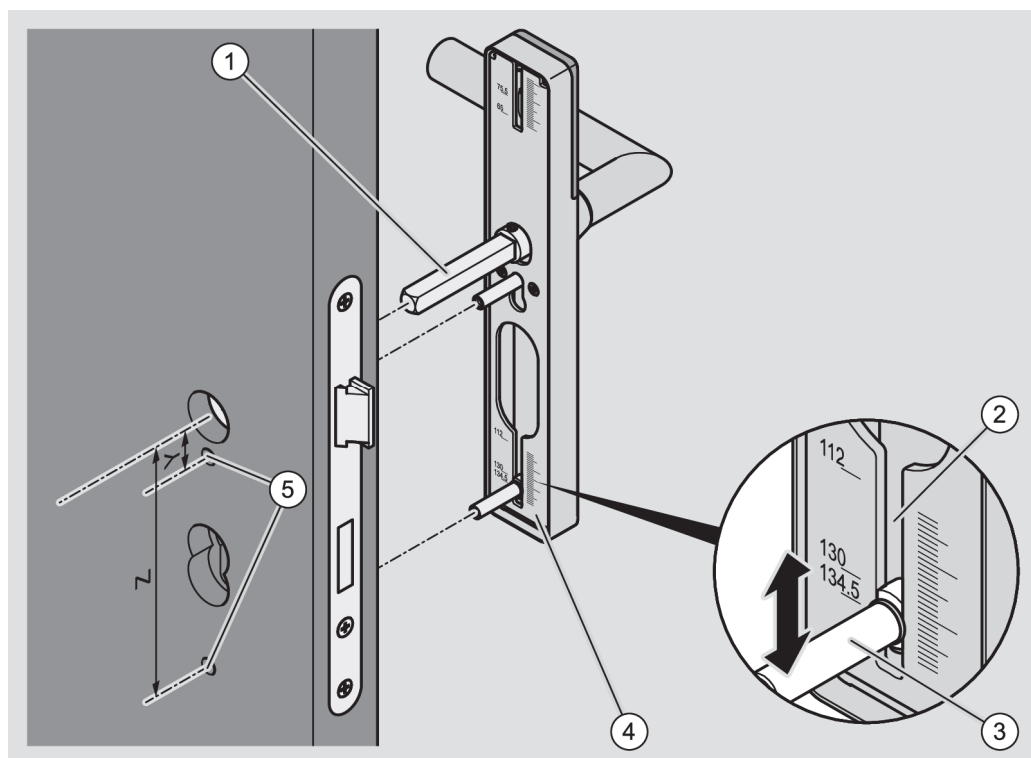
The position of the screw connections depends on the position of the drill holes which are present on the door and the lock. Guide slots are present in the assembly profiles in which the screw connections can be moved to the correct positions. Corresponding scales are attached alongside the guide slots for this purpose.

- ▶ Measure the distance “Y” between the middle of the coupling nut and the drill hole in the door leaf below the coupling nut.
- ▶ Measure the distance “Z” between the middle of the coupling nut and the lower drill hole in the door leaf.

The measurement “X” between the middle of the coupling nut and the upper drill hole in the door leaf is not relevant for this screw connection.



- ▶ Insert the two threaded bushes (3) through the respective recesses into the two lower guide slots (2) in the assembly profile (4) as shown.
 - ▶ Push the threaded bushes to the desired positions in line with the measurements established.
- i** Scales are attached on the inside of the assembly profile next to the upper and lower guide slot for this purpose.
- ▶ Insert the spindle (1) into the spindle hub.
 - ▶ Insert the threaded bushes into the drill holes (5) on the door.
 - ▶ If necessary, move the threaded bushes until the threaded bushes can be inserted easily into the drill holes.
 - ▶ Press the assembly profile (4) onto the door leaf.





It is necessary to remove the cover from the handle to install the electronic handle on the inside. Proceed as follows for this purpose.

ATTENTION!

It is possible to damage the surface of the lever handle when removing the cover.

- ▶ Do not use any force when removing covers from handles.
- ▶ Twist the cover round the lever handle while pulling it off in order to avoid contact.

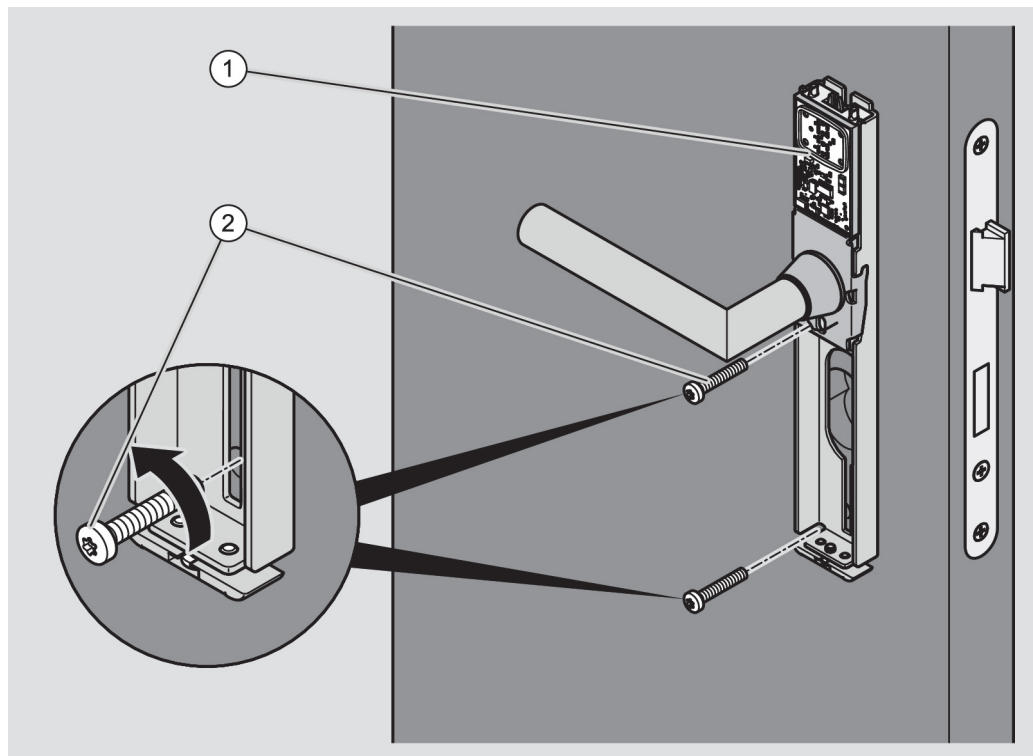
ATTENTION!

Damage to the electronic components of the handle due to contact possible.

- ▶ Do not touch the electronic components of the handle.
- ▶ Touch an earthed object made of metal to discharge any electrostatic charge before continuing work.

A heater or tap are examples of suitable earthed objects.

- ▶ If necessary remove the cover from the electronic assembly profile as described from page 254 onwards.
- ▶ Place the inner handle with lever handle on the protruding spindle.
- ▶ Insert the two long screws (2) into the centre and lower guide slot of the inner assembly profile (1) as shown.
- ▶ Push the long screws to the desired position in line with the measurements established.
- ▶ Insert the long screws into the drill holes on the door.
- ▶ If necessary, move the long screws until they can be inserted easily into the drill holes.
- ▶ Press the assembly profile (1) onto the door leaf.
- ▶ Screw the long screws in so they are hand tight.



► Check the outer lever handle for flawless functioning (coupling).

If the outer lever handle does not couple flawlessly, align it as follows:

- Remove the cover of the outer handle as described in section “Removing handle” from page 251 onwards.
- Align the outer lever handle horizontally as described from page 63 onwards.

The horizontal positions of the outer lever handle and inner lever handle must match.

- Reattach the cover to the assembly profile.



Installing handle and screwing on

- i** It is also possible to attach the assembly profiles to the door with short screws as an alternative to screwing all the way through (“Screwing on”). You must remove the cover for this screw connection. The assembly profiles are screwed onto the door with short screws in the drill holes. It is necessary to attach the covers back on the assembly profiles following assembly. The assembly for this screw connection takes place in the same way as for the long plate screw connection.

- i** The short screws which are supplied are only suitable for metal doors with pre-cut M5 threads. You can obtain suitable screws for doors made of different material via specialist retailers. The screws must be of the same length as the screws supplied and the heads must be uniform. The head of the short screw must be wider than the drill hole (5.5 mm). It may have a maximum diameter of 9.8 mm and a maximum height of 4 mm.

 - Consult a specialist retailer for advice about suitable short screws for your door.

- i** You can pre-drill the screwing points in order to guarantee safe screwing.

You must attach the spindle and lever handle to the handle prior to attaching the handle in position.

- i** The attachment of the lever handle to the electronic handle is described from page 63 onwards.
The attachment of the spindle is described from page 67 onwards.
The attachment of the spindle with reducing bushes is described from page 70 onwards.

 - ▶ Ensure that the spindle is of the correct length as described from page 68 onwards.
 - ▶ Prepare the electronic handle for the inside of the door in the same way.

i An electronic GUARD Slimline Compact is presented in the following section. The procedure for other electronic handles is the same as the one described here.

ATTENTION!	
	<p>It is possible to damage the surface of the lever handle when removing the cover.</p> <ul style="list-style-type: none"> ▶ Do not use any force when removing covers from handles. ▶ Twist the cover round the lever handle while pulling it off in order to avoid contact.

ATTENTION!	
	<p>Damage to the electronic components of the handle due to contact possible.</p> <ul style="list-style-type: none"> ▶ Do not touch the electronic components of the handle. ▶ Touch an earthed object made of metal to discharge any electrostatic charge before continuing work.

A heater or tap are examples of suitable earthed objects.

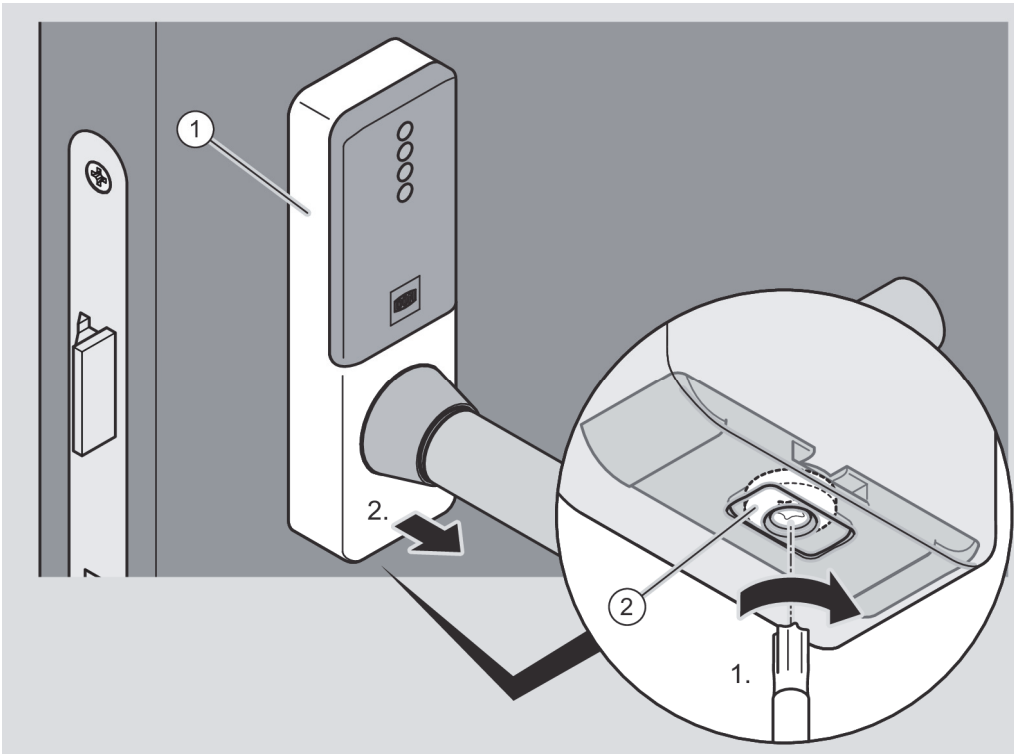
You will require a Torx10 screwdriver to release the screw on the cover closure.

Proceed as follows to remove the cover from the electronic handle:

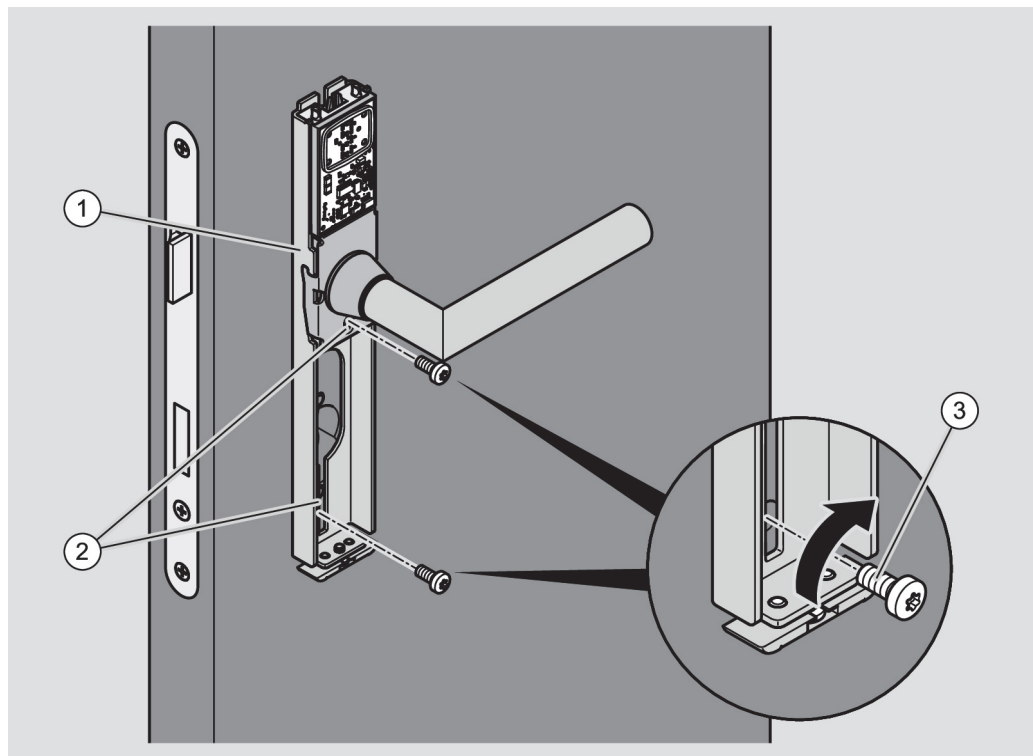
- ▶ Turn the screw (2) on the underside of the cover as seen from below in a clockwise direction (1) to open the cover closure.

The locking block moves inwards.

- ▶ Lift the cover (1) away from the assembly profile at the bottom (2.).
- ▶ Lift the cover away from the assembly profile at the top.
- ▶ Pull the cover carefully over the lever handle while rotating it.



- ▶ Remove the other cover on the assembly profile in the same way.
- ▶ Align the lever handle on the electronic handle as desired.
- ▶ Insert the spindle in the electronic assembly profile (1) on the outside into the spindle hub.
- ▶ Press the assembly profile on the door leaf until it comes to a stop.
- ▶ Insert two suitable short screws (3) into the centre and lower drill hole (2).
- ▶ Tighten the centre short screw so it is hand tight.
- ▶ Tighten the lower short screw so it is hand tight.
- ▶ Check the lever handle for ease of movement.
- ▶ Release the centre short screw a little if the lever handle does not move easily.
- ▶ Check the lever handle for ease of movement once again.



- ▶ Remove the other cover on the assembly profile in the same way.
- ▶ Fit the assembly profile on the inside in the same way.

ATTENTION!

It is possible to damage the surface of the lever handle when fitting the cover.

- ▶ Do not use any force when installing the covers of handles.
- ▶ Twist the cover round the lever handle while fitting in order to avoid contact.
- ▶ Ensure that the cover and the lever handle do not touch when fitting the cover.

i An electronic GUARD Slimline Compact is presented in the following section. The procedure for other electronic handles is the same as the one described here.

- ▶ Place the cover over the lever handle.

You must twist the cover if this is necessary.

- ▶ Place the cover (1) on the assembly profile from above first of all as shown.
- ▶ Then press the cover onto the assembly profile from above and below (1.).
- ▶ Ensure that the recess at the bottom of the cover is correctly positioned on the cover closure.

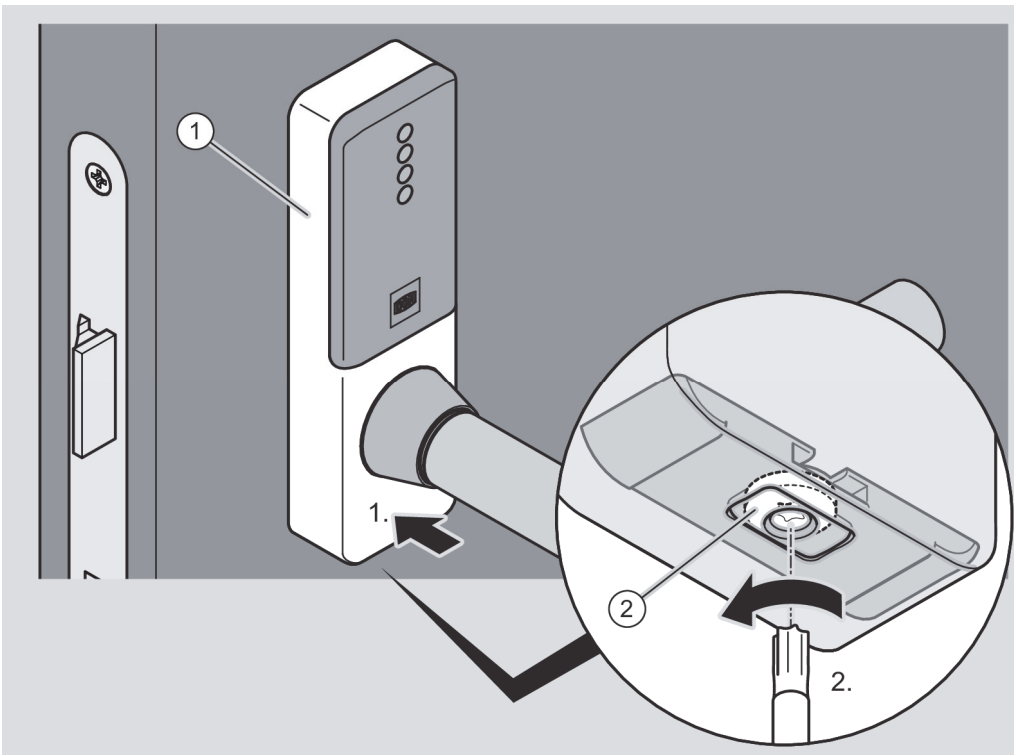
ATTENTION!

Damage to the cover possible due to excessive tightening of the screw.

- ▶ Only tighten the screw (2) so that the plate of the cover closure holds the cover securely.

- ▶ Turn the screw (2) on the underside of the cover in an anticlockwise direction to close the cover closure (2.).

The plate of the cover closure is pushed into the recess on the cover and it locks the cover.



- ▶ Attach the other cover on the assembly profile in the same way.
- ▶ Check the outer lever handle for flawless functioning (coupling).

If the outer lever handle does not couple flawlessly, align it as follows:

- ▶ Remove the cover of the outer handle as described in section "Removing handle" from page 251 onwards.

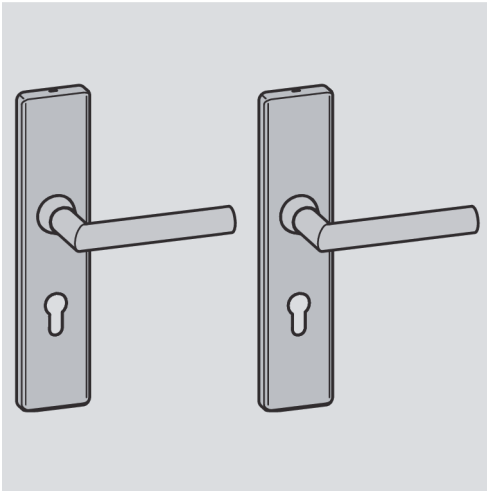


- ▶ Align the outer lever handle horizontally as described from page 63 onwards.

The horizontal positions of the outer lever handle and inner lever handle must match.

- ▶ Reattach the cover to the assembly profile.

Mechanical GUARD Wideline set



Installing handle and screwing right through

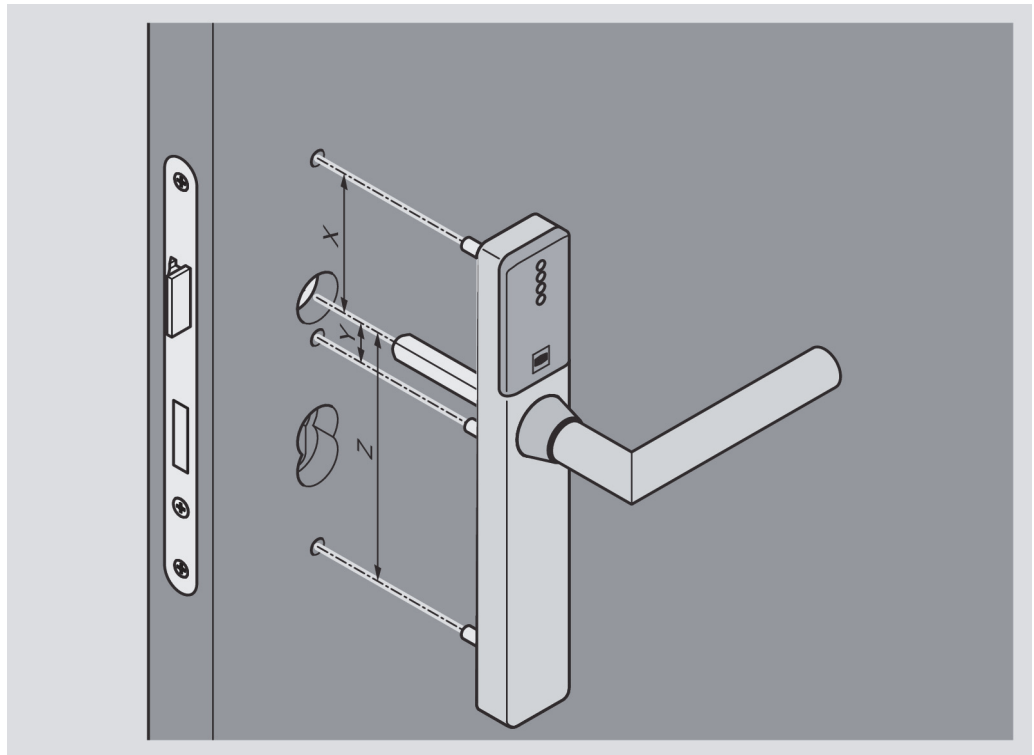
You must attach the spindle on the handle and align the lever handle prior to attaching the handle.

- i** The alignment of the lever handle on the handle is described from page 61 onwards.
The attachment of the spindle is described from page 67 onwards.
The attachment of the spindle with reducing bushes is described from page 70 onwards.
- i** An electronic GUARD Slimline long plate is presented in the section which follows.

The assembly profiles are attached on both sides of the door and screwed together. Threaded bushes are inserted into the outer assembly profile for this purpose. The inner assembly profile is attached with long screws which are screwed into the threaded bushes.

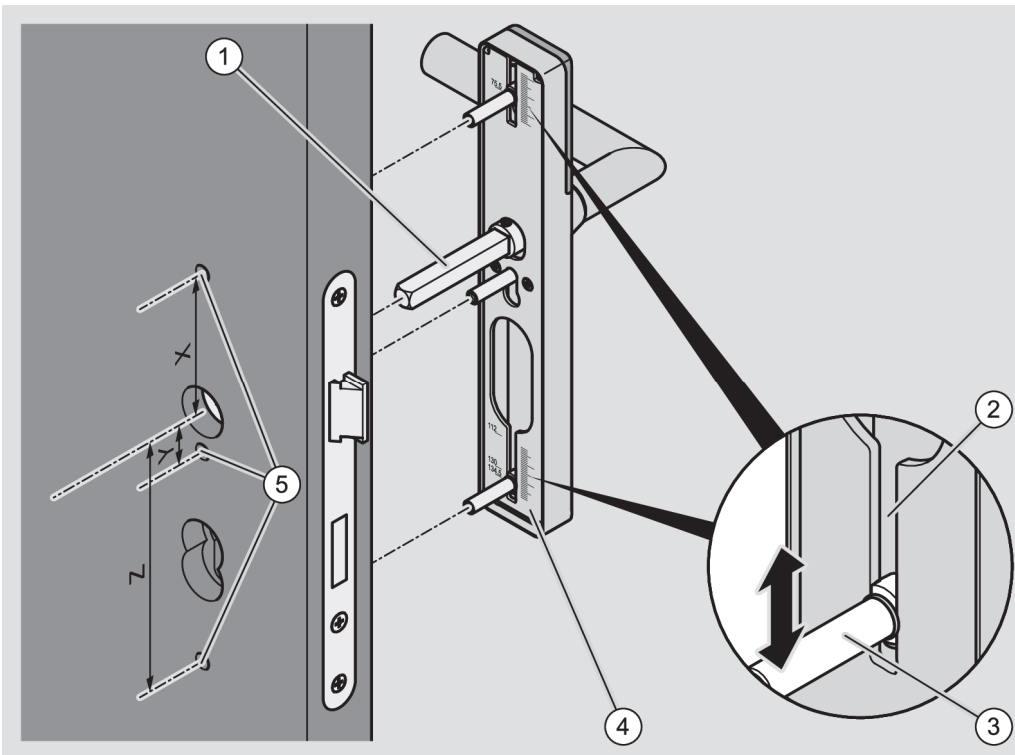
The position of the screw connections depends on the position of the drill holes which are present on the door and the lock. Guide slots are present in the assembly profiles in which the threaded bushes can be moved to the correct positions for the corresponding attachment points. Corresponding scales are attached alongside the guide slots for this purpose.

- ▶ Measure the distance “X” between the middle of the coupling nut and the upper attachment point in the door leaf.
- ▶ Measure the distance “Y” between the middle of the coupling nut and the attachment point below the coupling nut.
- ▶ Measure the distance “Z” between the middle of the coupling nut and the lower attachment point in the door leaf.



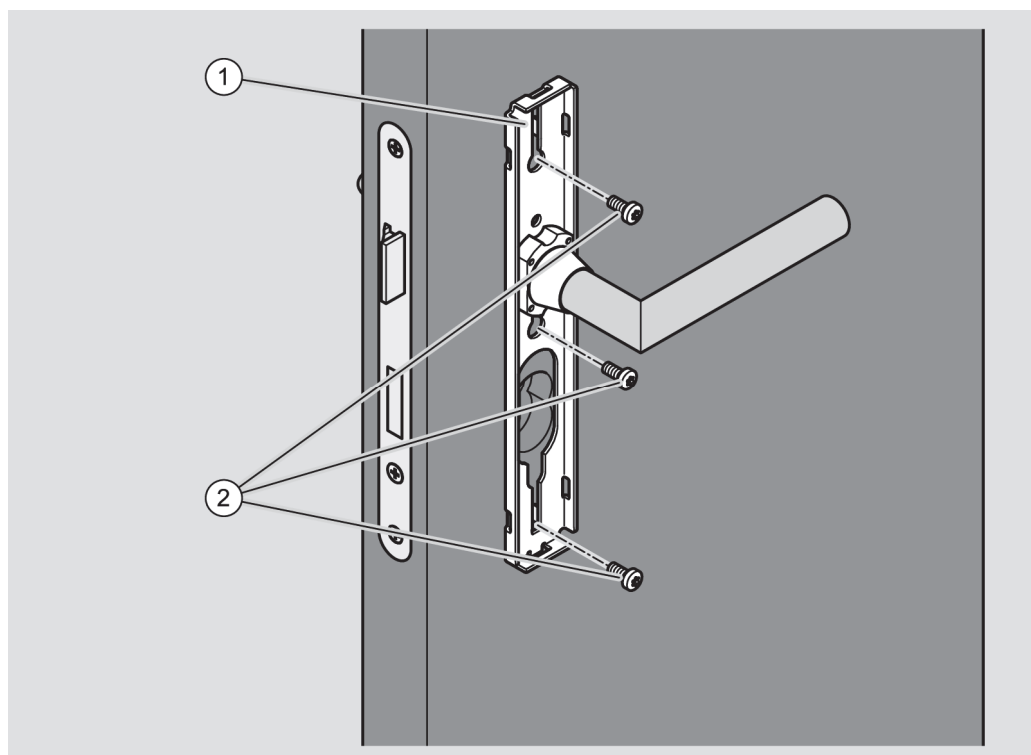
- i** The procedure for “Screwing long plate” is described and presented in the section which follows. In this case screwing occurs with three threaded bushes and long screws through the door leaf (“Screwing all the way through”).
Screwing at just two attachment points may occur depending on regional conditions and the attachment points which are available.

- ▶ Insert the three threaded bushes (2) through the respective recess into the guide slots (3) in the assembly profile on the outside of the door as shown.
 - ▶ Push the threaded bushes to the desired positions in line with the measurements established.
- i** Scales are attached on the inside of the assembly profile next to the upper and lower guide slot for this purpose.
- ▶ Guide the spindle (1) into the spindle hub and the threaded bushes into the drill holes (5) on the door.
 - ▶ If necessary, move the threaded bushes until the threaded bushes can be inserted easily into the drill holes.
 - ▶ Press the assembly profile (4) on the door leaf until it comes to a stop.



Proceed as follows to attach the inner handle with the installed and aligned lever handle:

- ▶ Place the lever handle on the spindle protruding on the inside of the door.
- ▶ Press the assembly profile (1) onto the door leaf.
- ▶ Insert the three long screws (2) through the guide slots on the assembly profile into the drill holes of the attachment points as shown.
- ▶ If necessary, move the long screws until they can be inserted easily into the drill holes and screwed into the threaded bushes.
- ▶ Screw the three long screws into the threaded bushes so they are hand tight.
- ▶ Check the lever handle for ease of movement.
- ▶ Release the centre long screw a little if the lever handle does not move easily.
- ▶ Check the lever handle for ease of movement once again.



ATTENTION!

It is possible to damage the surface of the lever handle when fitting the cover.

- ▶ Do not use any force when installing the covers of handles.
- ▶ Twist the cover round the lever handle while fitting in order to avoid contact.
- ▶ Ensure that the cover and the lever handle do not touch when fitting the cover.

The cover of the mechanical handle is only put loosely in place on delivery. You must press the cover onto the assembly profile until it clicks audibly into place.


ATTENTION!

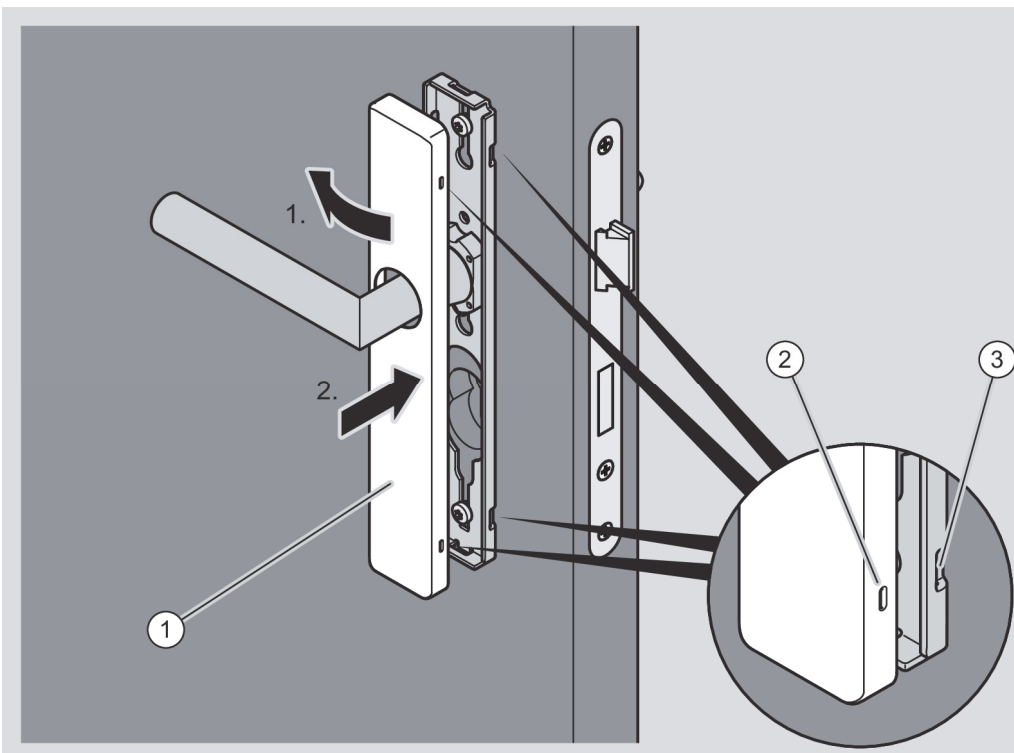
- Distortion of the cover possible due to forceful pressing.
- ▶ Press the cover carefully until it clicks into the locking points.
 - ▶ Use the heel of the hand to strike the outer edge of the cover lightly if necessary.

- ▶ Place the cover (1) over the lever handle as shown.

You must twist the cover when putting it in position if this is necessary.

- ▶ Press the cover laterally onto the assembly profile (1.) until the locking points of the cover (2) are in contact with the locking points of the assembly profile (3) (1.).
- ▶ Press the other side of the cover onto the assembly profile in such a way that the locking points audibly click into place (2.).

 The diagram which follows shows an example of the attachment.



- ▶ Attach the other cover on the assembly profile in the same way.

Installing handle and screwing on

If you cannot attach the handle by screwing right through, you must screw it on the door with short screws. You will require three short screws per handle for this purpose.

- i The short screws which are supplied are only suitable for metal doors with pre-cut M5 threads. You can obtain suitable screws for doors made of different material via specialist retailers.

The screws must be of the same length as the screws supplied and the heads must be uniform. The head of the short screw must be wider than the drill hole (5.5 mm). It may have a maximum diameter of 9.8 mm and a maximum height of 4 mm.

- Consult a specialist retailer for advice about suitable short screws for your door.

- i You can pre-drill the screwing points in order to guarantee safe screwing.

ATTENTION!	
	<p>It is possible to damage the surface of the lever handle when removing the cover.</p> <ul style="list-style-type: none"> ▶ Do not use any force when removing covers from handles. ▶ Twist the cover round the lever handle while pulling it off in order to avoid contact.

- ▶ If necessary remove the cover from the assembly profile as described from page 251 onwards.

You must attach the spindle on the handle and align the lever handle prior to attaching the handle.

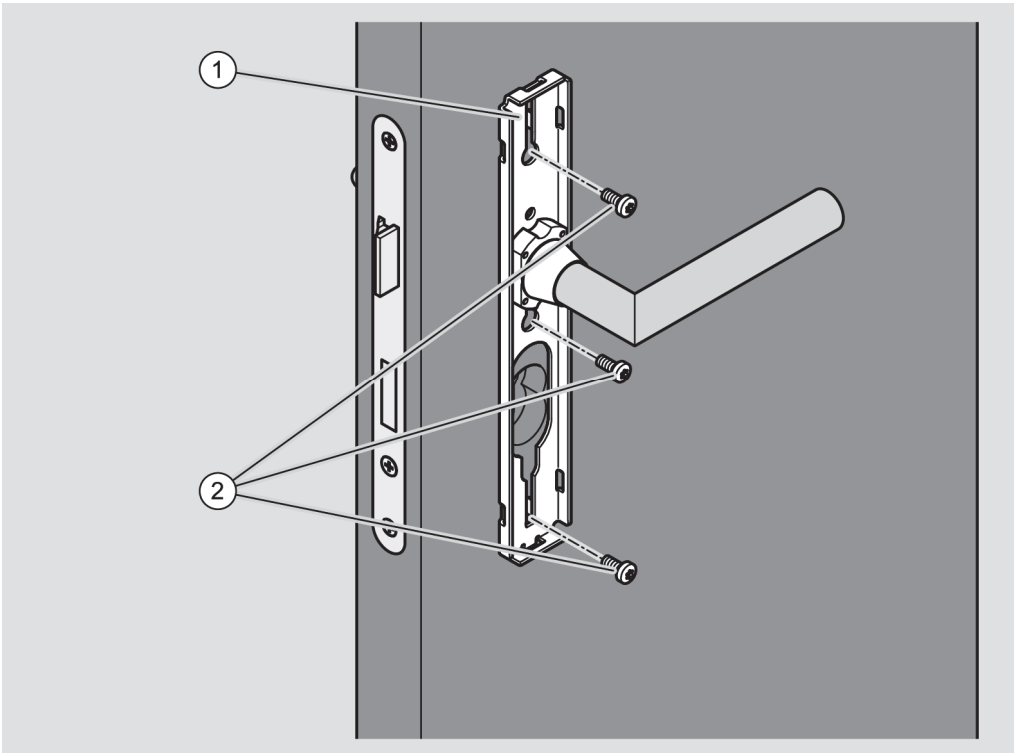
- i The alignment of the lever handle on the handle is described from page 61 onwards.

The attachment of the spindle is described from page 67 onwards.

The attachment of the spindle with reducing bushes is described from page 70 onwards.

- ▶ Place the assembly profile (1) with spindle on the outside of the door so that the spindle is seated in the spindle hub.
- ▶ Insert the three short screws (2) through the guide slots into the screw attachment points on the door.
- ▶ If necessary, move the short screws in the guide slots until they can be inserted easily into the screw attachment points.
- ▶ Press the assembly profile onto the door leaf.

- ▶ Tighten the three short screws so they are hand tight.
- ▶ Check the lever handle for ease of movement.
- ▶ Release the centre short screw a little if the lever handle does not move easily.
- ▶ Check the lever handle for ease of movement once again.



- ▶ Fit the assembly profile on the inside onto the door leaf in the same way.

ATTENTION!

It is possible to damage the surface of the lever handle when fitting the cover.

- ▶ Do not use any force when installing the covers of handles.
- ▶ Twist the cover round the lever handle while fitting in order to avoid contact.
- ▶ Ensure that the cover and the lever handle do not touch when fitting the cover.


The cover of the mechanical handle is only put loosely in place on delivery. You must press the cover onto the assembly profile until it clicks audibly into place.

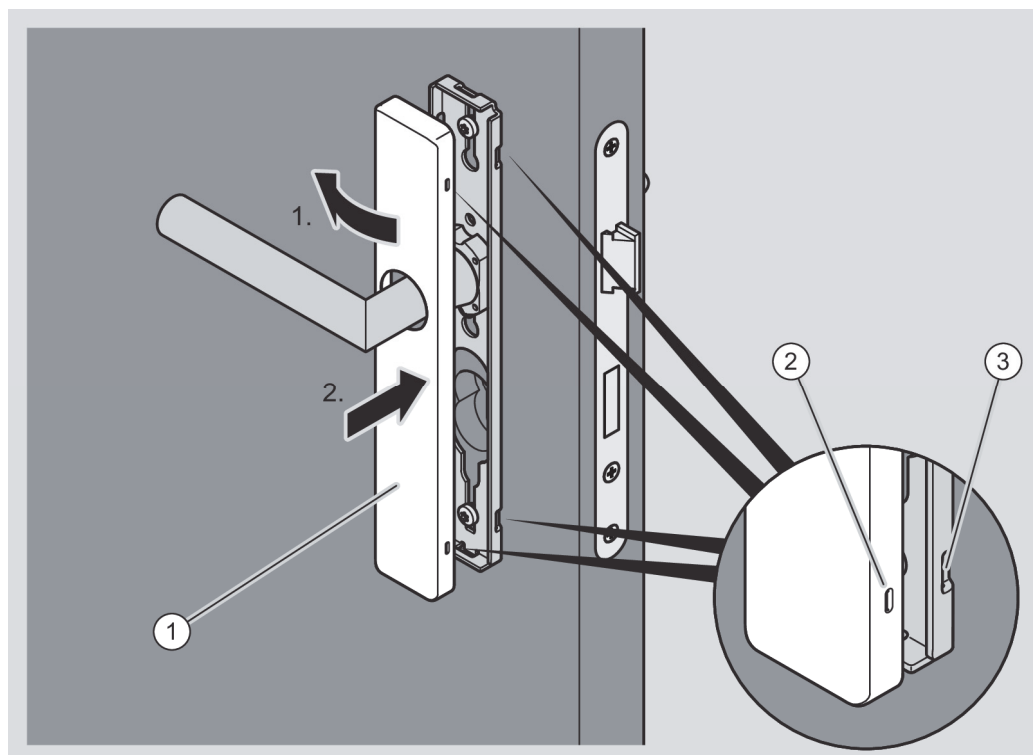
ATTENTION!	
	Distortion of the cover possible due to forceful pressing. <ul style="list-style-type: none"> ▶ Press the cover carefully until it clicks into the locking points. ▶ Use the heel of the hand to strike the outer edge of the cover lightly if necessary.

- ▶ Place the cover (1) over the lever handle as shown.

You must twist the cover when putting it in position if this is necessary.

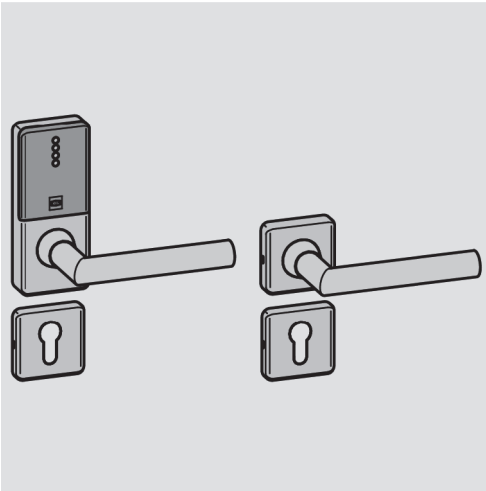
- ▶ Press the cover laterally onto the assembly profile (1.) until the locking points of the cover (2) are in contact with the locking points of the assembly profile (3) (1.).
- ▶ Press the other side of the cover onto the assembly profile in such a way that the locking points audibly click into place (2.).

 The diagram which follows shows an example of the attachment.



- ▶ Attach the other cover on the assembly profile in the same way.

GUARD Compact Wideline set reading on one side



The short plate with reading field is attached on the outside of the door. Two catch sleeves are inserted laterally on the outer assembly profile for this purpose. The inner assembly profile is attached with two long screws which are screwed into these catch sleeves.

The outer cylinder rosette is attached with two head sleeves on both sides of the cylinder. The inner cylinder rosette is screwed in the head sleeves with two long screws.

Attachment by screwing on is not possible for this handle.

Always install the lever handle fittings/rosettes first for two-part handles. Only install the cylinder rosettes once the lever handle fittings/rosettes have been installed.

You must attach the spindle and lever handle to the handle prior to attaching the handle in position.

- i The attachment of the lever handle to the electronic handle is described from page 63 onwards.
 The attachment of the spindle is described from page 67 onwards.
 The attachment of the spindle with reducing bushes is described from page 70 onwards.

ATTENTION!

It is possible to damage the surface of the lever handle when removing the cover.

- ▶ Do not use any force when removing covers from handles.
- ▶ Twist the cover round the lever handle while pulling it off in order to avoid contact.

- i** An electronic GUARD Slimline Compact is presented in the following section. The procedure for other electronic handles is the same as the one described here.

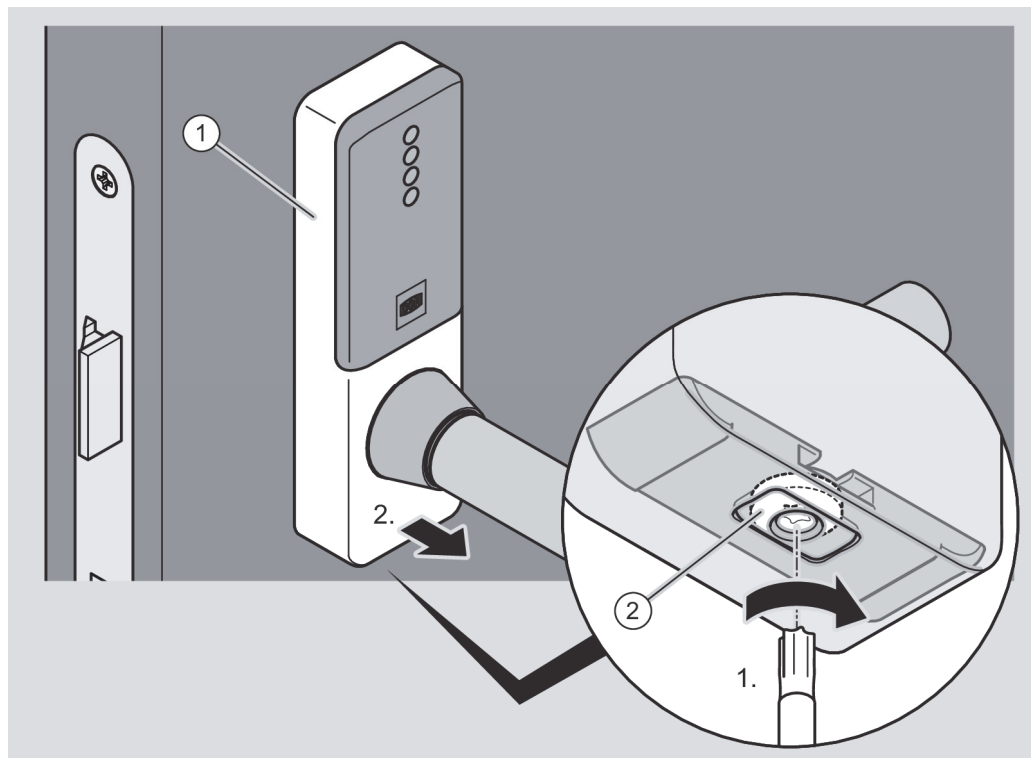
You will require a Torx10 screwdriver to release the screw on the cover closure.

Proceed as follows to remove the cover from the electronic handle:

- ▶ Turn the screw (2) on the underside of the cover as seen from below in a clockwise direction (1) to open the cover closure.

The locking block moves inwards.

- ▶ Lift the cover (1) away from the assembly profile at the bottom (2.).
- ▶ Lift the cover away from the assembly profile at the top.
- ▶ Pull the cover carefully over the lever handle while rotating it.



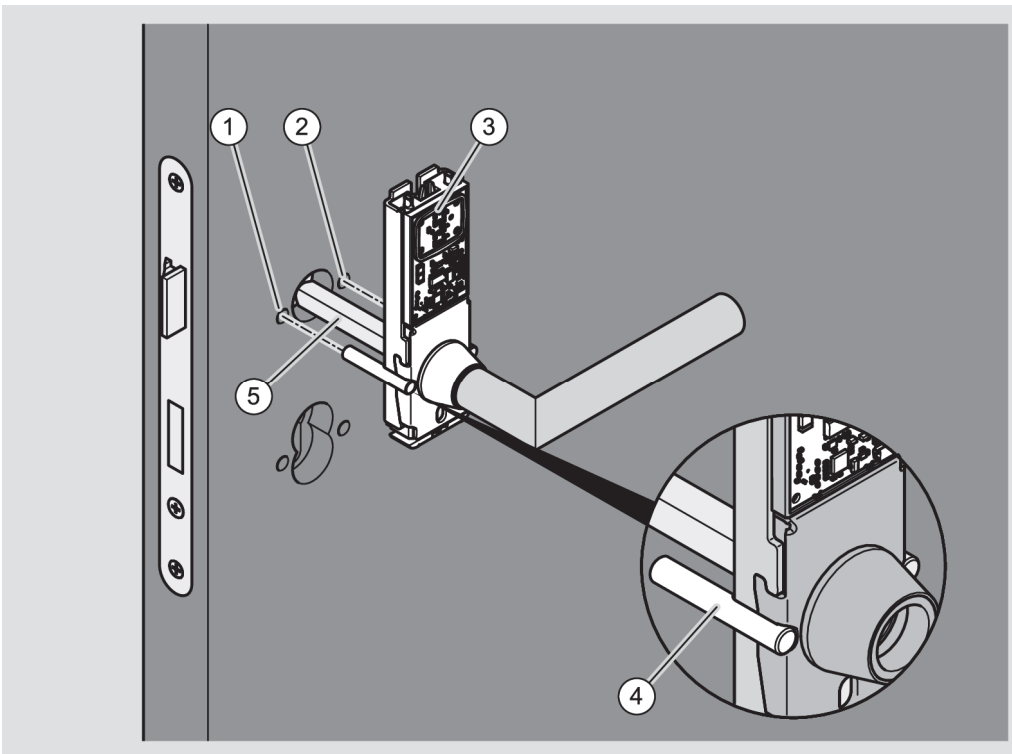
ATTENTION!

Damage to the electronic components of the handle due to contact possible.

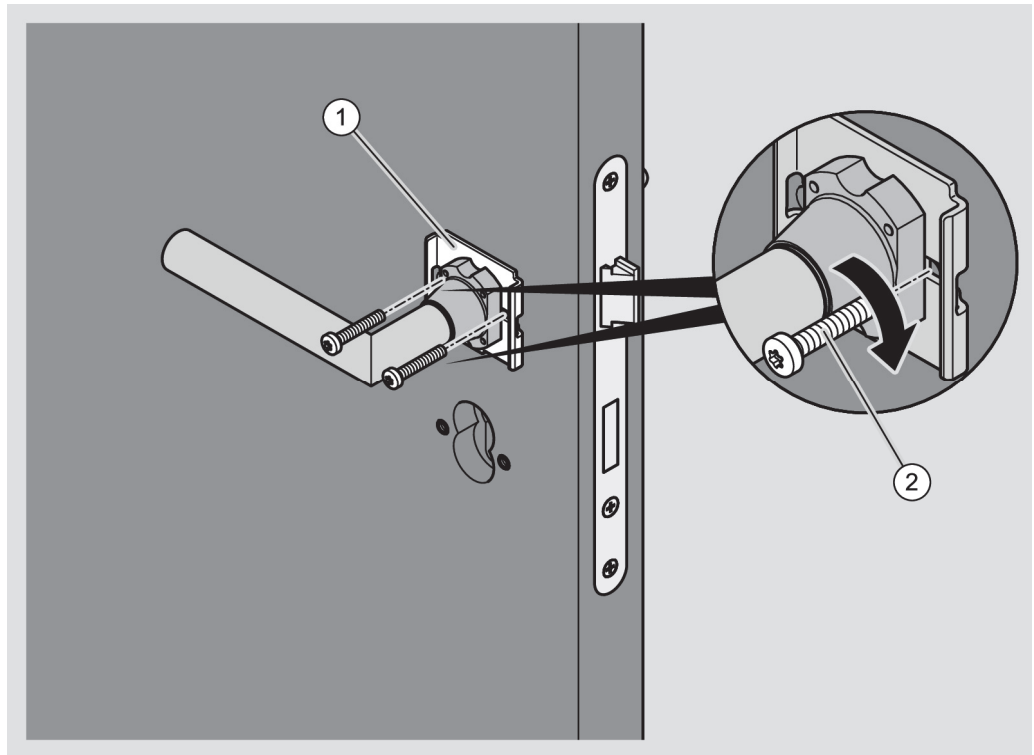
- ▶ Do not touch the electronic components of the handle.
- ▶ Touch an earthed object made of metal to discharge any electrostatic charge before continuing work.

A heater or tap are examples of suitable earthed objects.

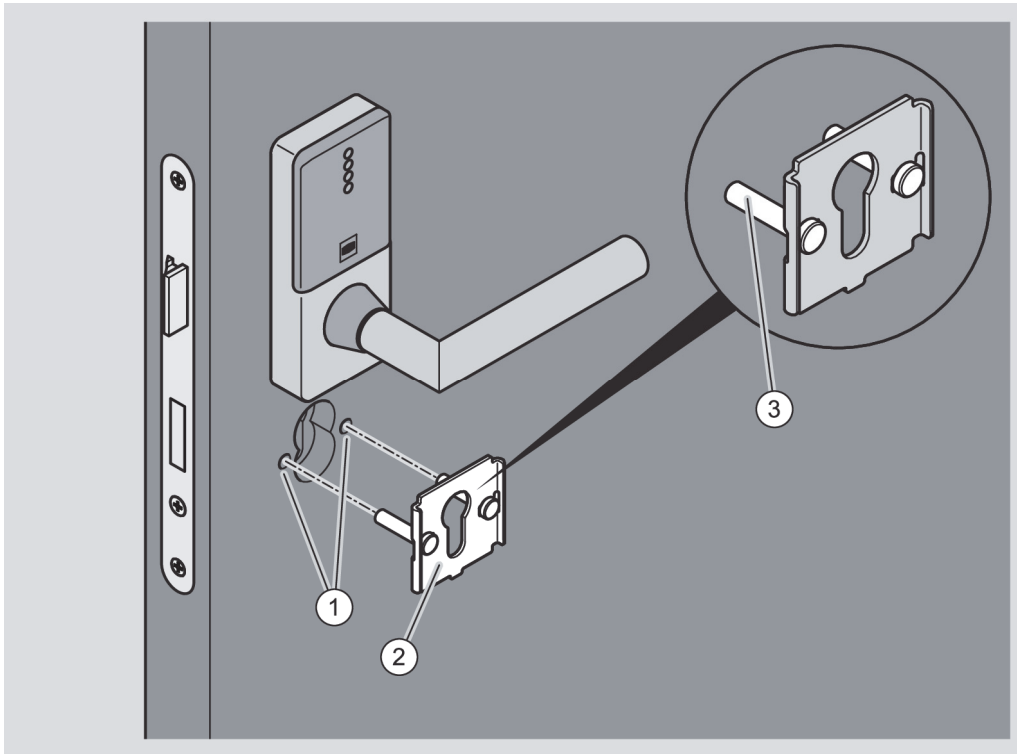
- ▶ Attach the two catch sleeves (4) to the lateral gripping points of the assembly profile as shown.
- ▶ Place the assembly aid on the catch sleeves if available.
- ▶ Insert the spindle (5) into the spindle hub.
- ▶ Insert the catch sleeves into the drill holes (1, 2) on the door.
- ▶ If necessary, move the catch sleeves until the catch sleeves can be inserted easily into the drill holes.
- ▶ Press the assembly profile (3) onto the door leaf.




- ▶ Ensure that the lever handle on the inside handle is aligned correctly (see page 61).
- ▶ When using adapter sleeves, make sure that these are attached correctly (see page 70).
- ▶ Place the lever handle on the spindle protruding on the inside of the door.
- ▶ Press the assembly profile of the inner lever handle rosette onto the door leaf.
- ▶ Insert the two long screws (2) through the guide slots on the assembly profile (1) of the lever handle rosette into the drill holes as shown.
- ▶ Screw the long screws into the threaded bushes so they are hand tight.
- ▶ Check the lever handle for ease of movement.
- ▶ Release the long screws a little if the lever handle does not move easily.

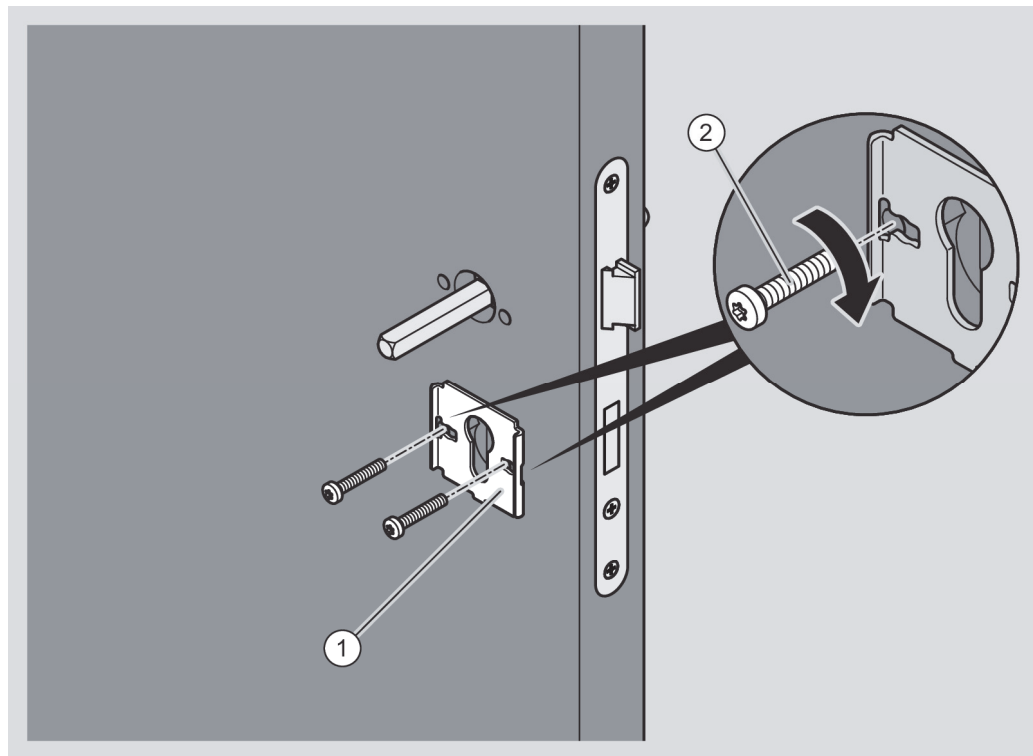


- ▶ Insert the two threaded bushes (3) through the guide slots on the assembly profile of the cylinder rosette into the drill holes (1) of the door as shown.
- ▶ Press the assembly profile (2) onto the door leaf.



- ▶ Press the assembly profile on the inside of the door onto the door leaf.
- ▶ Insert the two long screws (2) through the guide slots on the assembly profile (1) for the cylinder rosette into the drill holes of the door as shown.
- ▶ Screw the long screws into the threaded bushes so they are hand tight.

 The lever handle rosette is not shown in the section which follows.





ATTENTION!

It is possible to damage the surface of the lever handle when fitting the cover.

- ▶ Do not use any force when installing the covers of handles.
- ▶ Twist the cover round the lever handle while fitting in order to avoid contact.
- ▶ Ensure that the cover and the lever handle do not touch when fitting the cover.

- ▶ Place the cover over the lever handle.

You must twist the cover if this is necessary.

- ▶ Place the cover (1) on the assembly profile from above first of all as shown.
- ▶ Then press the cover onto the assembly profile from above and below (1.).
- ▶ Ensure that the recess at the bottom of the cover is correctly positioned on the cover closure.

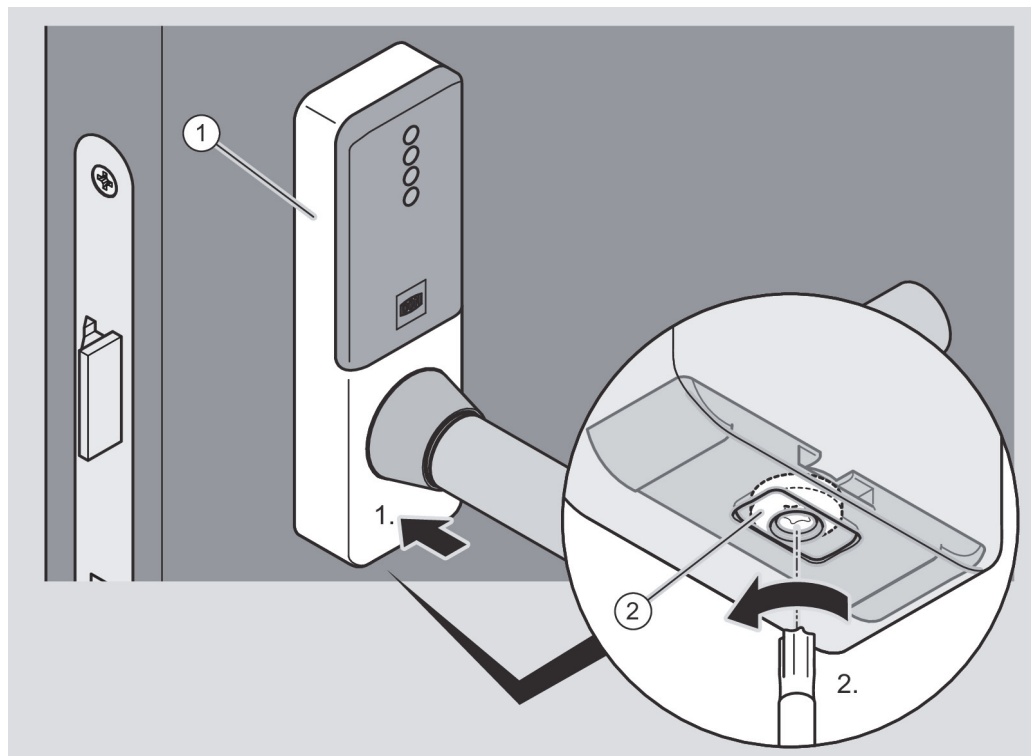
ATTENTION!

Damage to the cover possible due to excessive tightening of the screw.

- ▶ Only tighten the screw (2) so that the plate of the cover closure holds the cover securely.

- ▶ Turn the screw (2) on the underside of the cover in an anticlockwise direction to close the cover closure (2.).

The plate of the cover closure is pushed into the recess on the cover and it locks the cover.



The cover of the mechanical handle is only put loosely in place on delivery. You must press the cover onto the assembly profile until it clicks audibly into place.


ATTENTION!

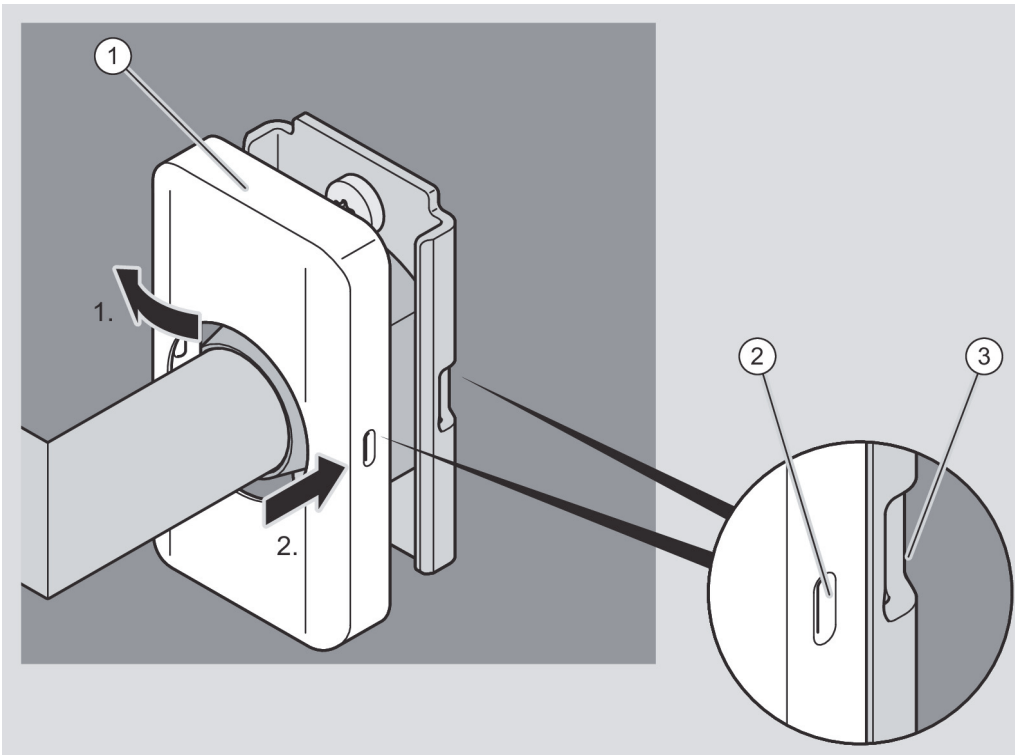
- | | |
|--|-----------------------------------------------------------------------------------------------------------------------------------------------------------------------------------------------------------------------------------------------------------------------------------|
| | Distortion of the cover possible due to forceful pressing. <ul style="list-style-type: none"> ▶ Press the cover carefully until it clicks into the locking points. ▶ Use the heel of the hand to strike the outer edge of the cover lightly if necessary. |
|--|-----------------------------------------------------------------------------------------------------------------------------------------------------------------------------------------------------------------------------------------------------------------------------------|

- ▶ Place the cover (1) over the lever handle as shown.

You must twist the cover when putting it in position if this is necessary.

- ▶ Press the cover laterally onto the assembly profile (1.) until the locking points of the cover (2) are in contact with the locking points of the assembly profile (3) (1.).
- ▶ Press the other side of the cover onto the assembly profile in such a way that the locking points audibly click into place (2.).

 The diagram which follows shows an example of the attachment.



i The attachment of the cover of a rosette for Slimline is presented in the sections which follow as an example.

ATTENTION!	
	<p>It is possible to damage the surface of the lever handle when fitting the cover.</p> <ul style="list-style-type: none"> ▶ Do not use any force when installing the covers of handles. ▶ Twist the cover round the lever handle while fitting in order to avoid contact. ▶ Ensure that the cover and the lever handle do not touch when fitting the cover.

ATTENTION!

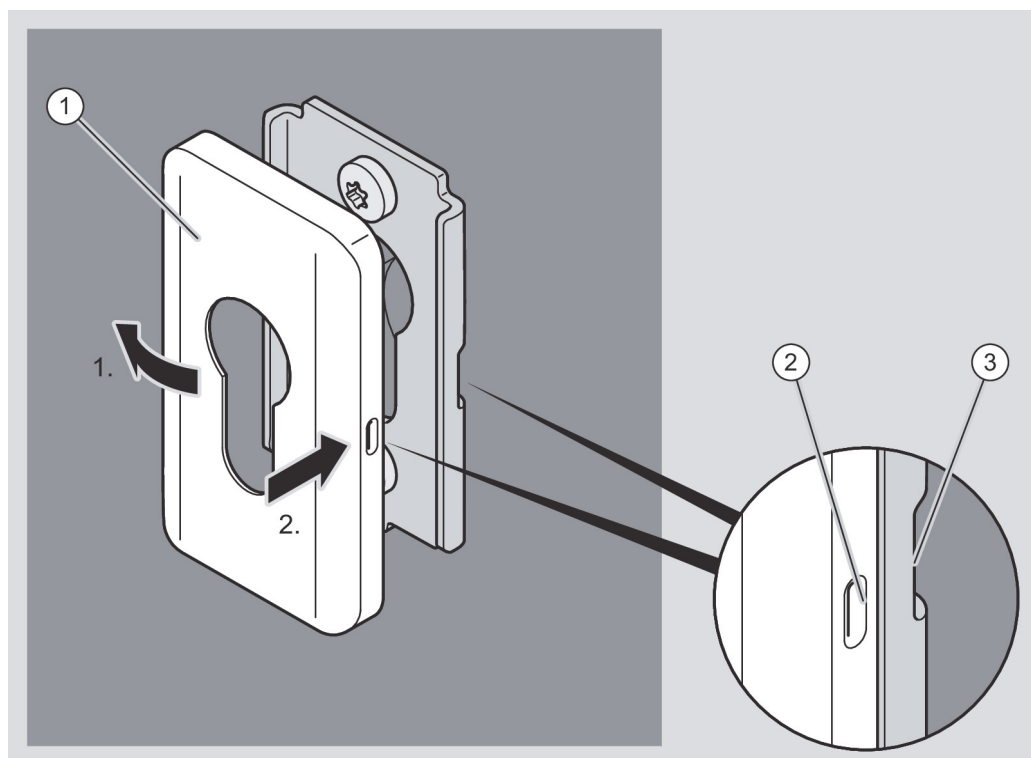
Distortion of the cover possible due to forceful pressing.

- ▶ Press the cover carefully until it clicks into the locking points.
- ▶ Use the heel of the hand to strike the edge of the cover lightly if necessary.

▶ Place the cover of the cylinder rosette (1) on the assembly profile as shown. You must twist the cover of the cylinder rosette when putting it in position if this is necessary.

▶ Press the cover of the cylinder rosette laterally onto the assembly profile (1.) until the locking point of the cover (2) is in contact with the locking point of the assembly profile (3) (1.).

▶ Press the other side of the cover onto the assembly profile in such a way that the locking point audibly clicks into place (2).



▶ Attach the other cover on the assembly profile in the same way.

▶ Check the outer lever handle for flawless functioning (coupling).

If the outer lever handle does not couple flawlessly, align it as follows:

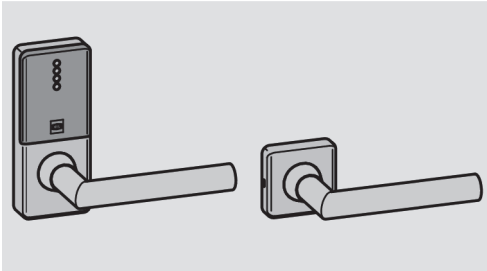
▶ Remove the cover of the outer handle as described in section "Removing handle" from page 251 onwards.

- ▶ Align the outer lever handle horizontally as described from page 63 onwards.

The horizontal positions of the outer lever handle and inner lever handle must match.

- ▶ Reattach the cover to the assembly profile.

GUARD Wideline Compact without rosettes



The short plate with reading field is attached on the outside of the door. Two catch sleeves are inserted laterally on the outer assembly profile for this purpose. The inner assembly profile is attached with two long screws which are screwed into these catch sleeves.

Attachment by screwing on is not possible for this handle.

You must attach the spindle and lever handle to the handle prior to attaching the handle in position.

- ❗ The attachment of the lever handle to the electronic handle is described from page 63 onwards.

The attachment of the spindle is described from page 67 onwards.

The attachment of the spindle with reducing bushes is described from page 70 onwards.

ATTENTION!

It is possible to damage the surface of the lever handle when removing the cover.

- ▶ Do not use any force when removing covers from handles.
- ▶ Twist the cover round the lever handle while pulling it off in order to avoid contact.

- ❗ An electronic GUARD Slimline Compact is presented in the following section. The procedure for other electronic handles is the same as the one described here.

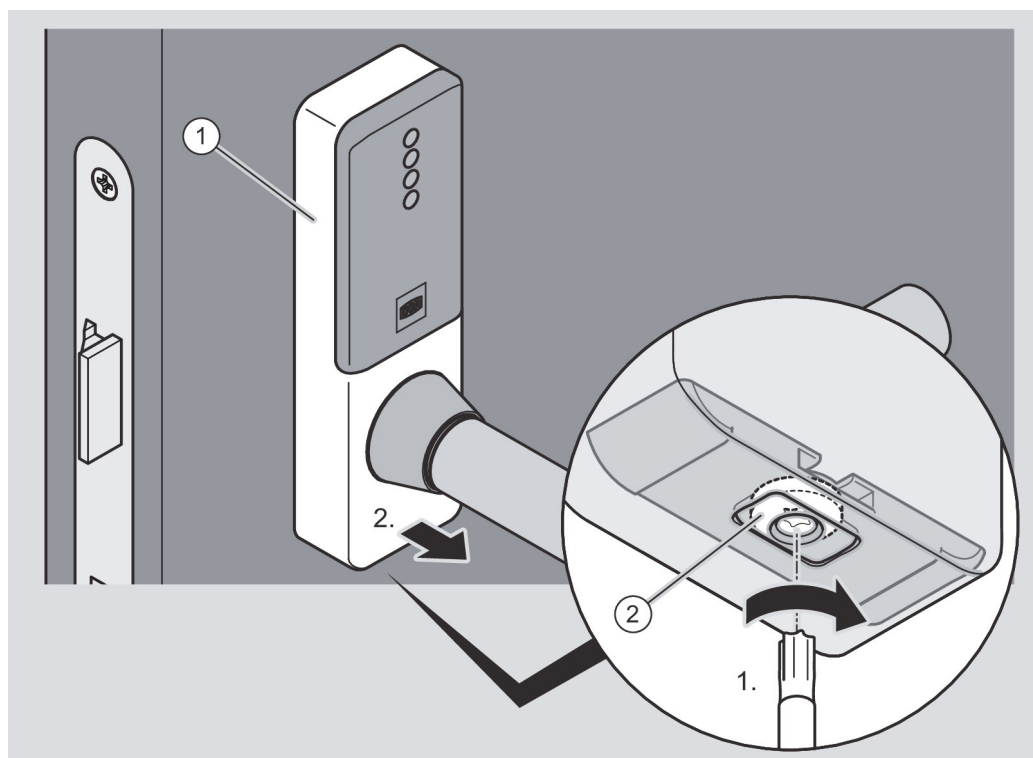
You will require a Torx10 screwdriver to release the screw on the cover closure.

Proceed as follows to remove the cover from the electronic handle:

- ▶ Turn the screw (2) on the underside of the cover as seen from below in a clockwise direction (1) to open the cover closure.

The locking block moves inwards.

- ▶ Lift the cover (1) away from the assembly profile at the bottom (2.).
- ▶ Lift the cover away from the assembly profile at the top.
- ▶ Pull the cover carefully over the lever handle while rotating it.



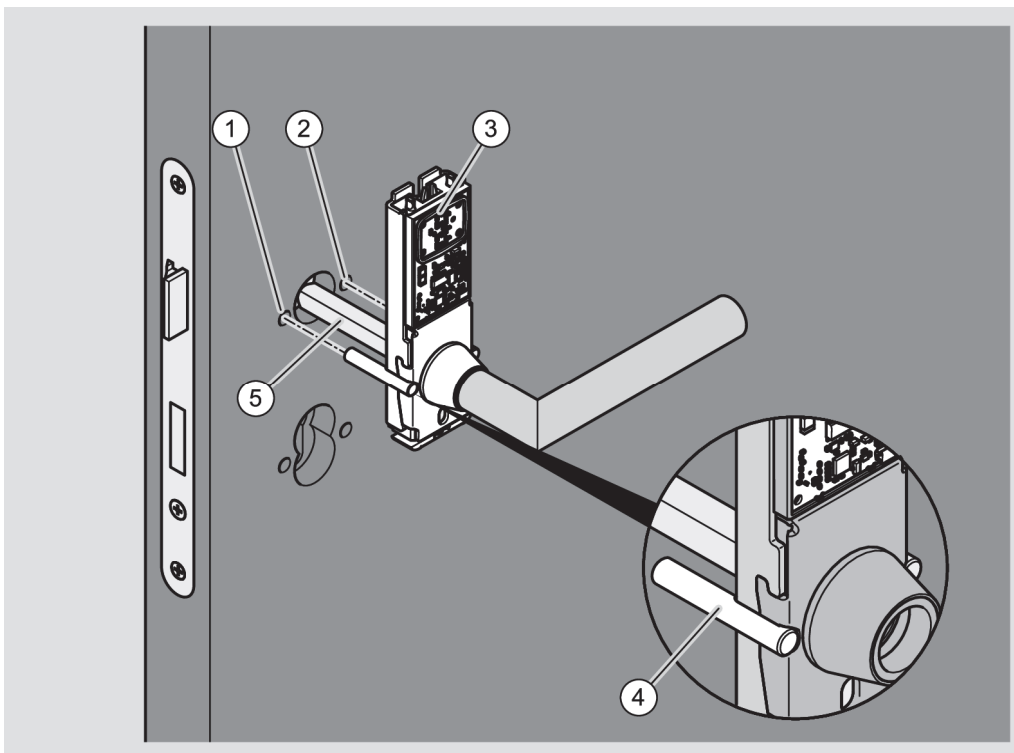
ATTENTION!

Damage to the electronic components of the handle due to contact possible.

- ▶ Do not touch the electronic components of the handle.
- ▶ Touch an earthed object made of metal to discharge any electrostatic charge before continuing work.

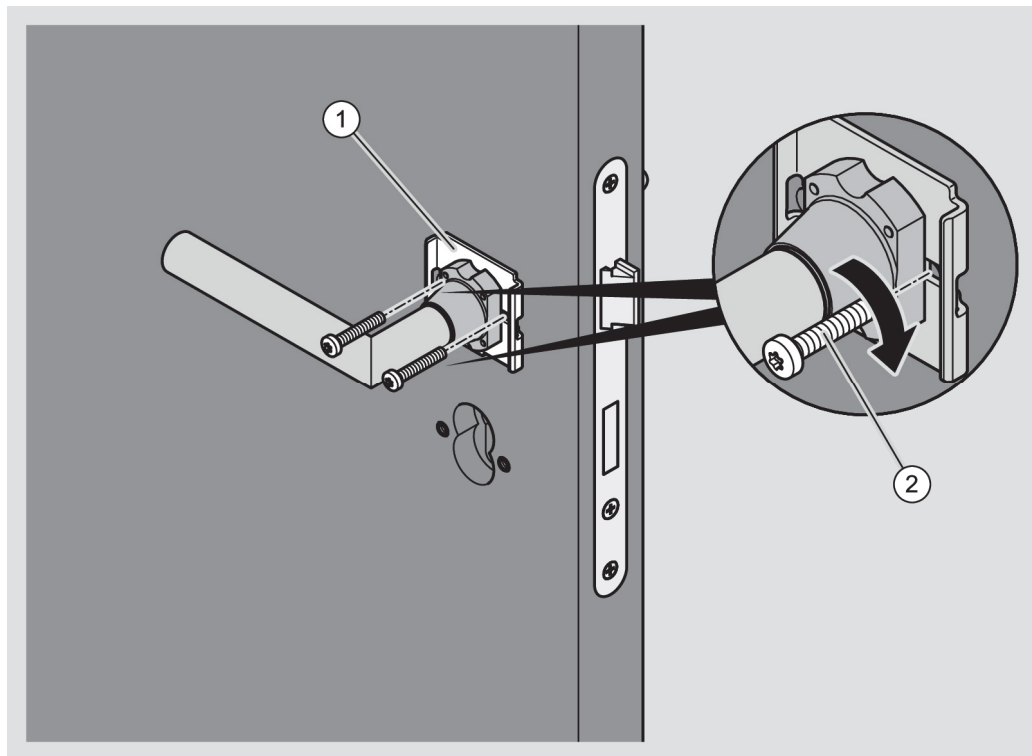
A heater or tap are examples of suitable earthed objects.

- ▶ Attach the two catch sleeves (4) to the lateral gripping points of the assembly profile as shown.
- ▶ Place the assembly aid on the catch sleeves if available.
- ▶ Insert the spindle (5) into the spindle hub.
- ▶ Insert the catch sleeves into the drill holes (1, 2) on the door.
- ▶ If necessary, move the catch sleeves until the catch sleeves can be inserted easily into the drill holes.
- ▶ Press the assembly profile (3) onto the door leaf.



- ▶ Ensure that the lever handle on the inside handle is aligned correctly (see page 61).
- ▶ When using adapter sleeves, make sure that these are attached correctly (see page 70).
- ▶ Place the lever handle on the spindle protruding on the inside of the door.

- ▶ Press the assembly profile of the inner lever handle rosette onto the door leaf.
- ▶ Insert the two long screws (2) through the guide slots on the assembly profile (1) of the lever handle rosette into the drill holes as shown.
- ▶ Screw the long screws into the threaded bushes so they are hand tight.
- ▶ Check the lever handle for ease of movement.
- ▶ Release the long screws a little if the lever handle does not move easily.



ATTENTION!

It is possible to damage the surface of the lever handle when fitting the cover.

- ▶ Do not use any force when installing the covers of handles.
- ▶ Twist the cover round the lever handle while fitting in order to avoid contact.
- ▶ Ensure that the cover and the lever handle do not touch when fitting the cover.

- ▶ Place the cover over the lever handle.

You must twist the cover if this is necessary.

- ▶ Place the cover (1) on the assembly profile from above first of all as shown.
- ▶ Then press the cover onto the assembly profile from above and below (1.).
- ▶ Ensure that the recess at the bottom of the cover is correctly positioned on the cover closure.

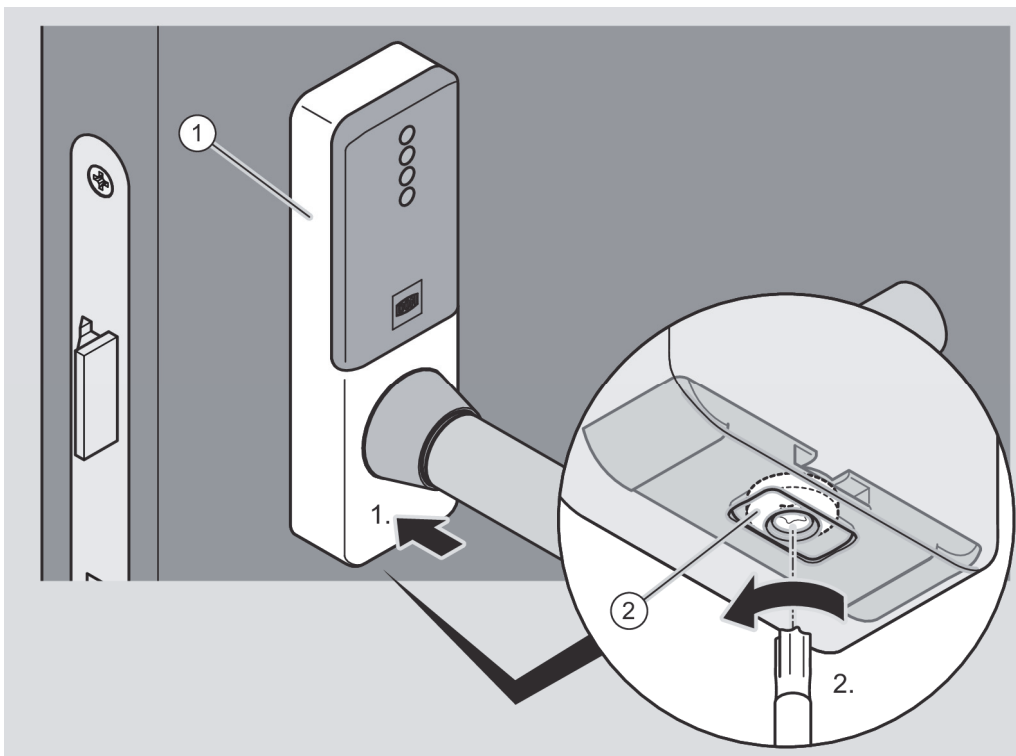
ATTENTION!

Damage to the cover possible due to excessive tightening of the screw.

- ▶ Only tighten the screw (2) so that the plate of the cover closure holds the cover securely.

- ▶ Turn the screw (2) on the underside of the cover in an anticlockwise direction to close the cover closure (2.).

The plate of the cover closure is pushed into the recess on the cover and it locks the cover.




The cover of the mechanical handle is only put loosely in place on delivery. You must press the cover onto the assembly profile until it clicks audibly into place.

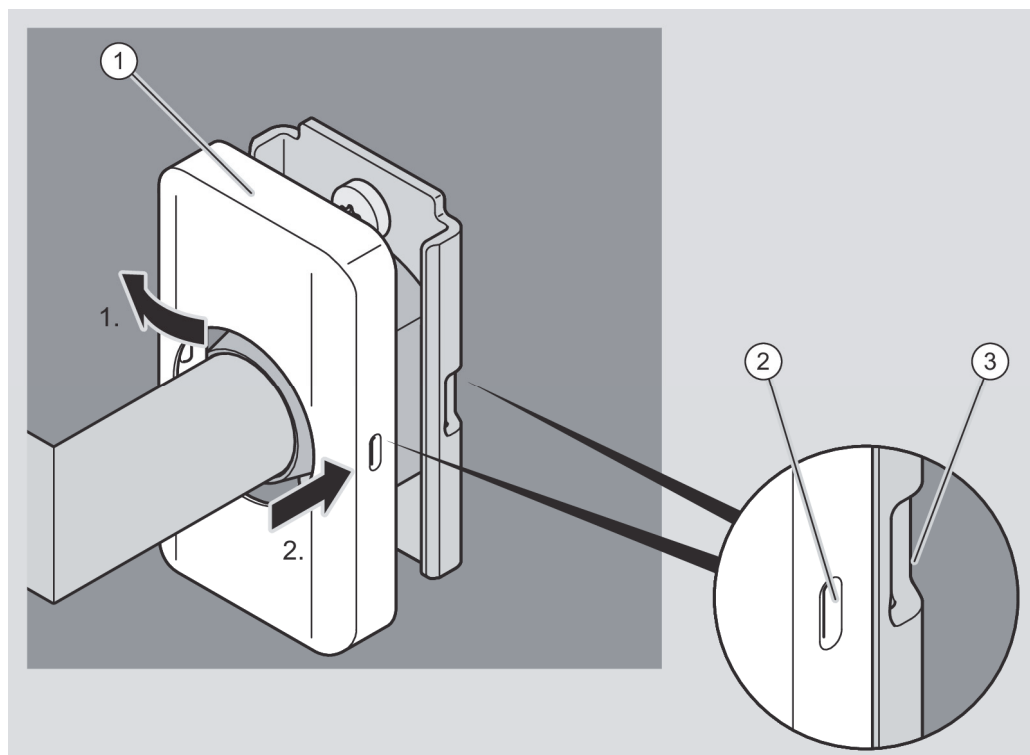
ATTENTION!	
	Distortion of the cover possible due to forceful pressing. <ul style="list-style-type: none"> ▶ Press the cover carefully until it clicks into the locking points. ▶ Use the heel of the hand to strike the outer edge of the cover lightly if necessary.

- ▶ Place the cover (1) over the lever handle as shown.

You must twist the cover when putting it in position if this is necessary.

- ▶ Press the cover laterally onto the assembly profile (1.) until the locking points of the cover (2) are in contact with the locking points of the assembly profile (3) (1.).
- ▶ Press the other side of the cover onto the assembly profile in such a way that the locking points audibly click into place (2.).

 The diagram which follows shows an example of the attachment.



- ▶ Check the outer lever handle for flawless functioning (coupling).

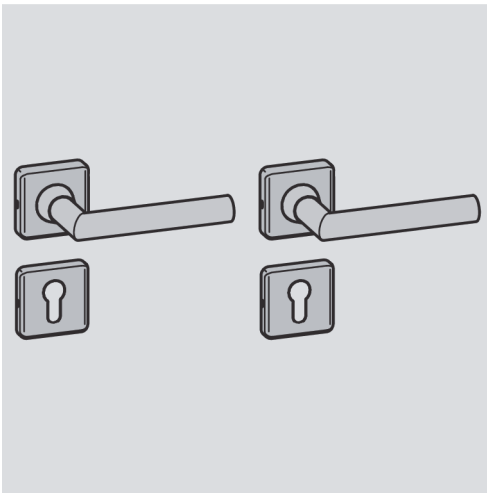
If the outer lever handle does not couple flawlessly, align it as follows:

- ▶ Remove the cover of the outer handle as described in section “Removing handle” from page 251 onwards.
- ▶ Align the outer lever handle horizontally as described from page 63 onwards.

The horizontal positions of the outer lever handle and inner lever handle must match.

- ▶ Reattach the cover to the assembly profile.

GUARD Wideline rosette set



Installing handle and screwing right through

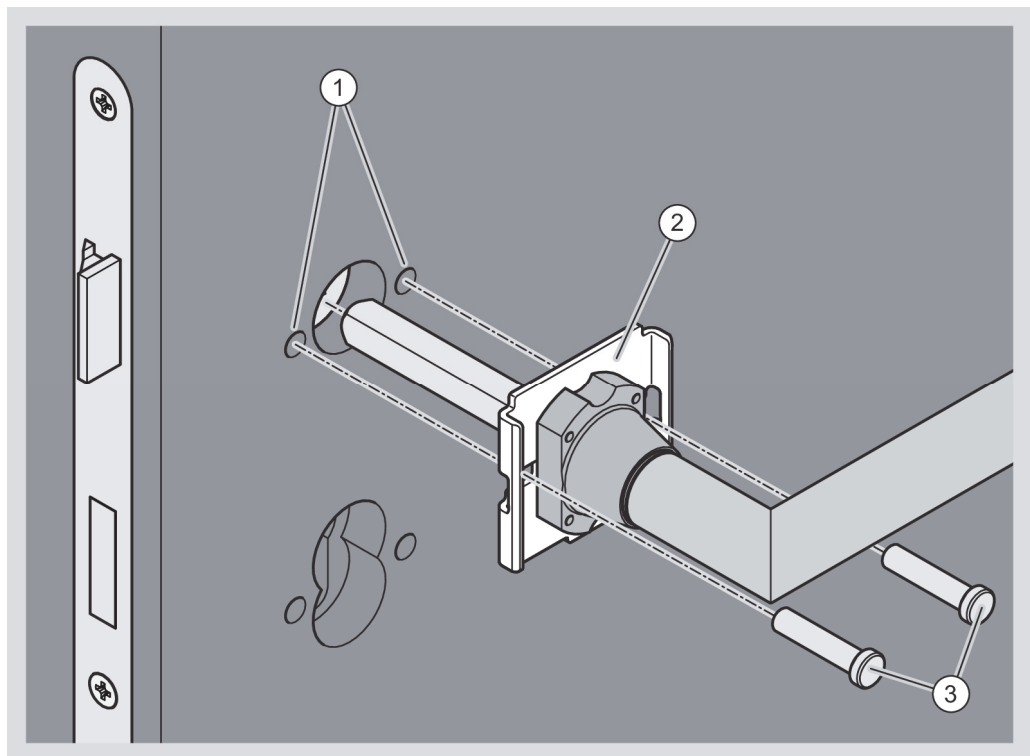
The assembly profiles of the cylinder rosette and the lever handle rosette are attached with two threaded bushes each on the outside of the door. The inner assembly profiles are attached with two long screws each which are screwed into these threaded bushes.

You must attach the spindle on the handle and align the lever handle prior to attaching the handle.

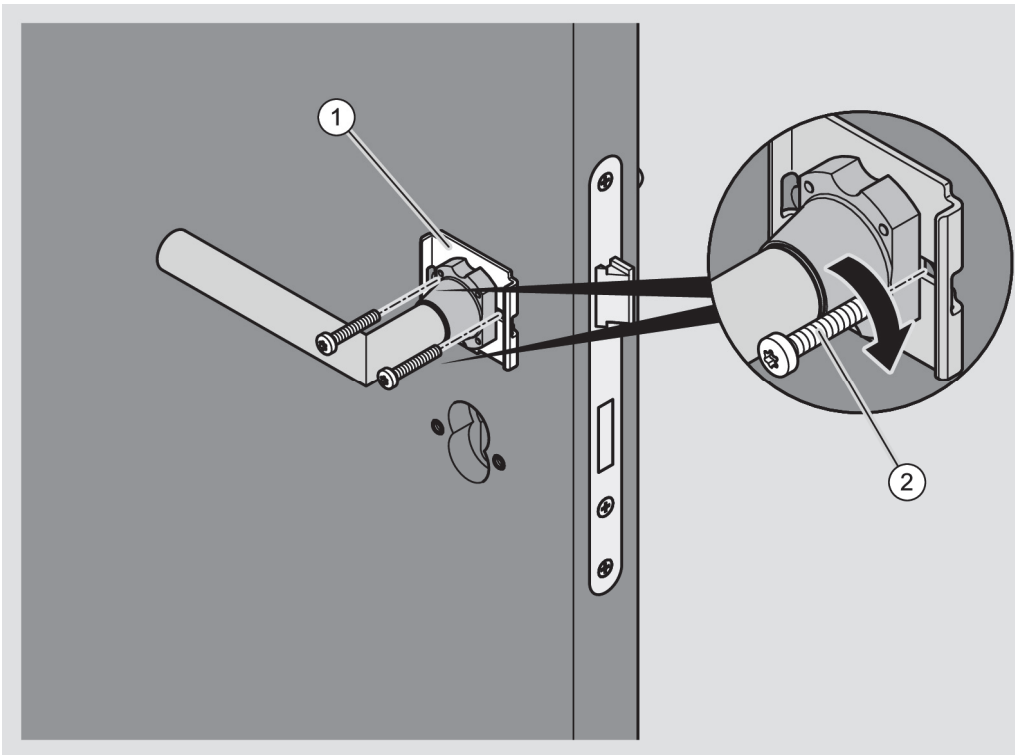
- i** The alignment of the lever handle on the handle is described from page 61 onwards.
 The attachment of the spindle is described from page 67 onwards.
 The attachment of the spindle with reducing bushes is described from page 70 onwards.

Always install the lever handle fittings/rosettes first for two-part handles. Only install the cylinder rosettes once the lever handle fittings/rosettes have been installed.

- ▶ Insert the spindle into the spindle hub.
- ▶ Insert the two threaded bushes (3) through the guide slots on the assembly profile (2) of the lever handle rosette as shown.
- ▶ Insert the threaded bushes into the drill holes (1) of the door.
- ▶ Press the assembly profile onto the door leaf.

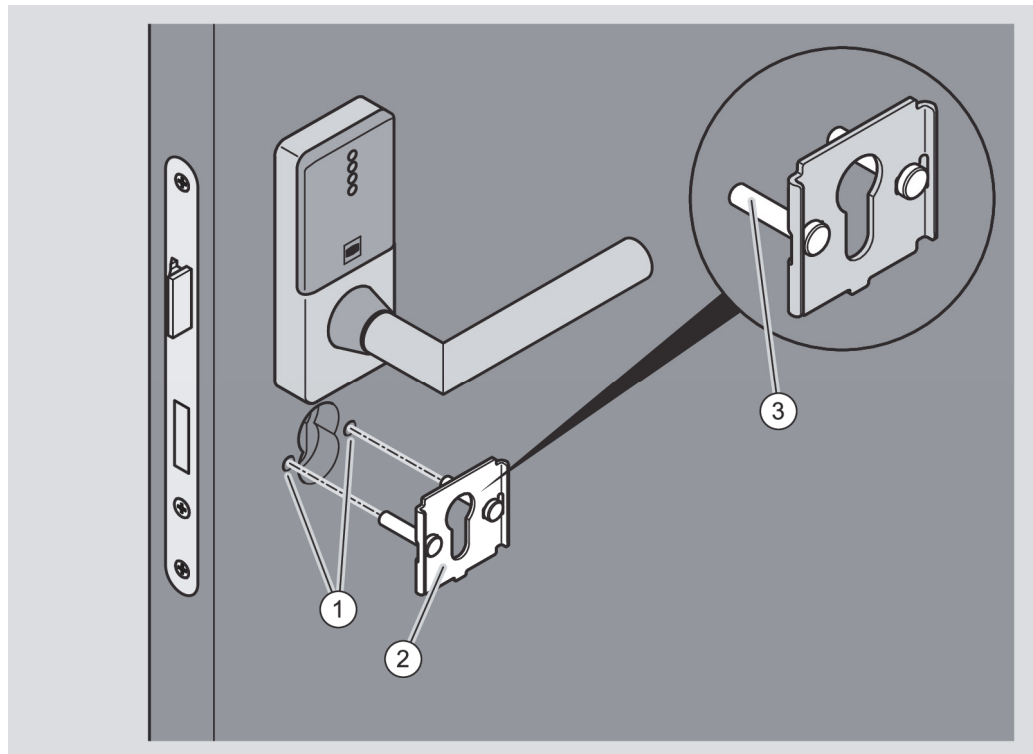


- ▶ Ensure that the lever handle on the inside handle is aligned correctly (see page 61).
- ▶ When using adapter sleeves, make sure that these are attached correctly (see page 70).
- ▶ Press the assembly profile of the inner lever handle rosette onto the door leaf.
- ▶ Insert the two long screws (2) through the guide slots on the assembly profile (1) of the lever handle rosette into the drill holes as shown.
- ▶ Screw the long screws into the threaded bushes so they are hand tight.
- ▶ Check the lever handle for ease of movement.
- ▶ Release the long screws a little if the lever handle does not move easily.



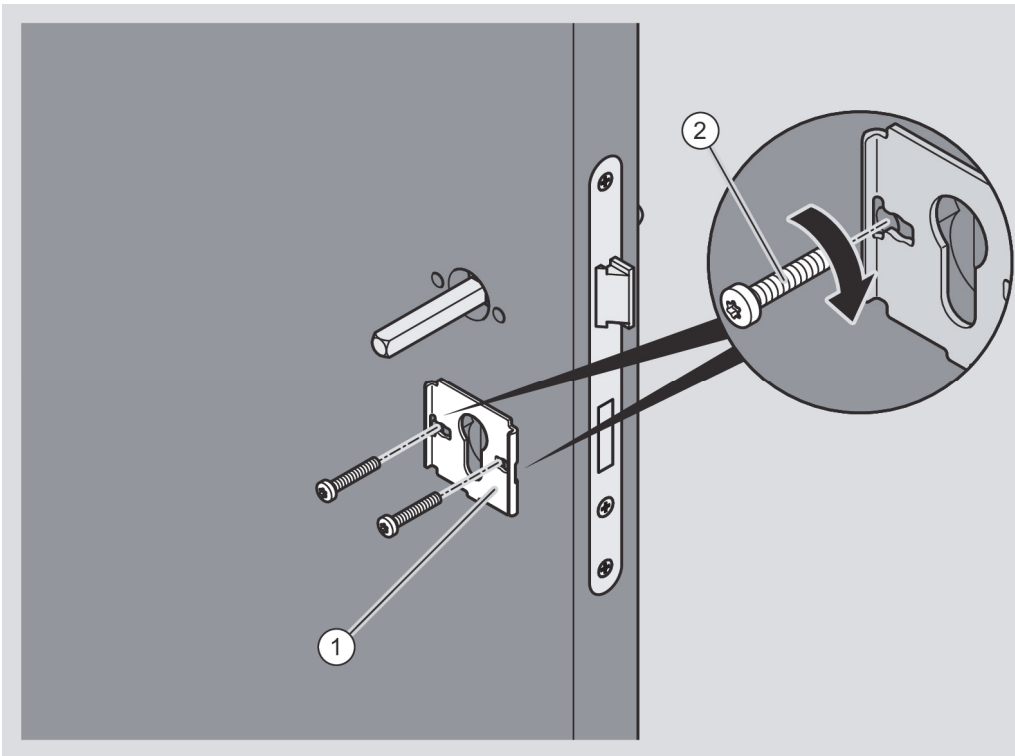
i The lever handle rosette is not shown in the section which follows.

- ▶ Insert the two threaded bushes (3) through the guide slots on the assembly profile of the cylinder rosette into the drill holes (1) of the door as shown.
- ▶ Press the assembly profile (2) onto the door leaf.





- ▶ Press the assembly profile on the inside of the door onto the door leaf.
- ▶ Insert the two long screws (2) through the guide slots on the assembly profile (1) of the cylinder rosette into the drill holes of the door as shown.
- ▶ Screw the long screws into the threaded bushes so they are hand tight.



ATTENTION!

It is possible to damage the surface of the lever handle when fitting the cover.

- ▶ Do not use any force when installing the covers of handles.
- ▶ Twist the cover round the lever handle while fitting in order to avoid contact.
- ▶ Ensure that the cover and the lever handle do not touch when fitting the cover.

ATTENTION!

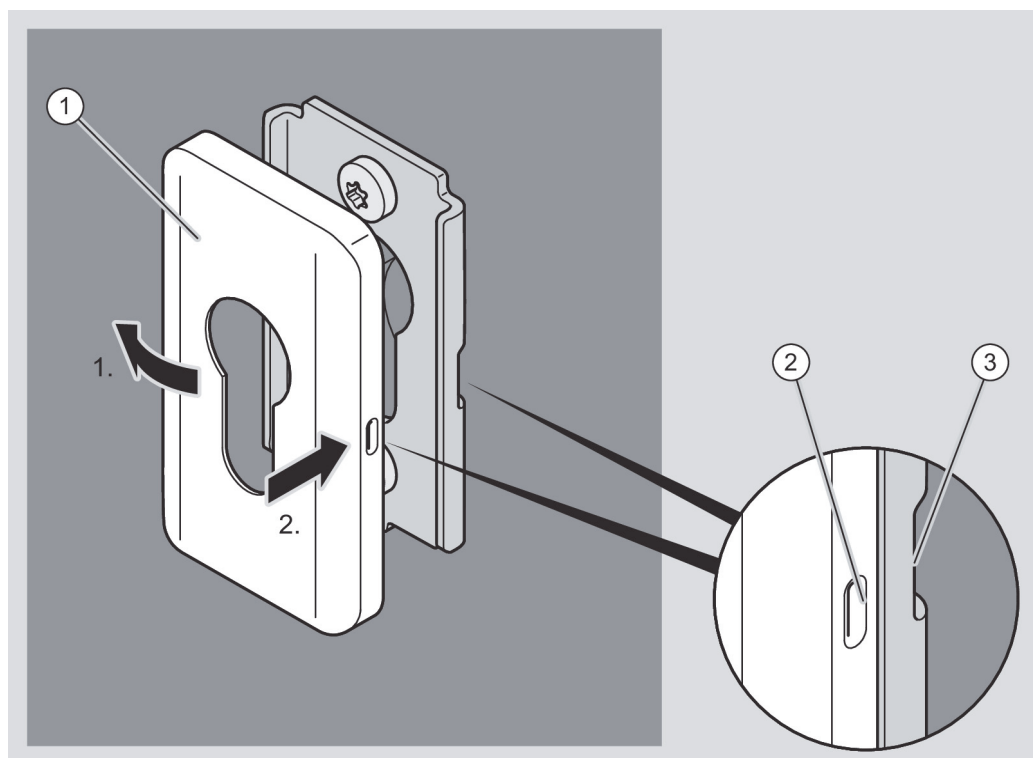
Distortion of the cover possible due to forceful pressing.

- ▶ Press the cover carefully until it clicks into the locking points.
- ▶ Use the heel of the hand to strike the edge of the cover lightly if necessary.

▶ Place the cover of the cylinder rosette (1) on the assembly profile as shown. You must twist the cover of the cylinder rosette when putting it in position if this is necessary.

▶ Press the cover of the cylinder rosette laterally onto the assembly profile (1.) until the locking point of the cover (2) is in contact with the locking point of the assembly profile (3) (1.).

▶ Press the other side of the cover onto the assembly profile in such a way that the locking point audibly clicks into place (2).



▶ Attach the cover of the second cylinder rosette in the same way.

ATTENTION!

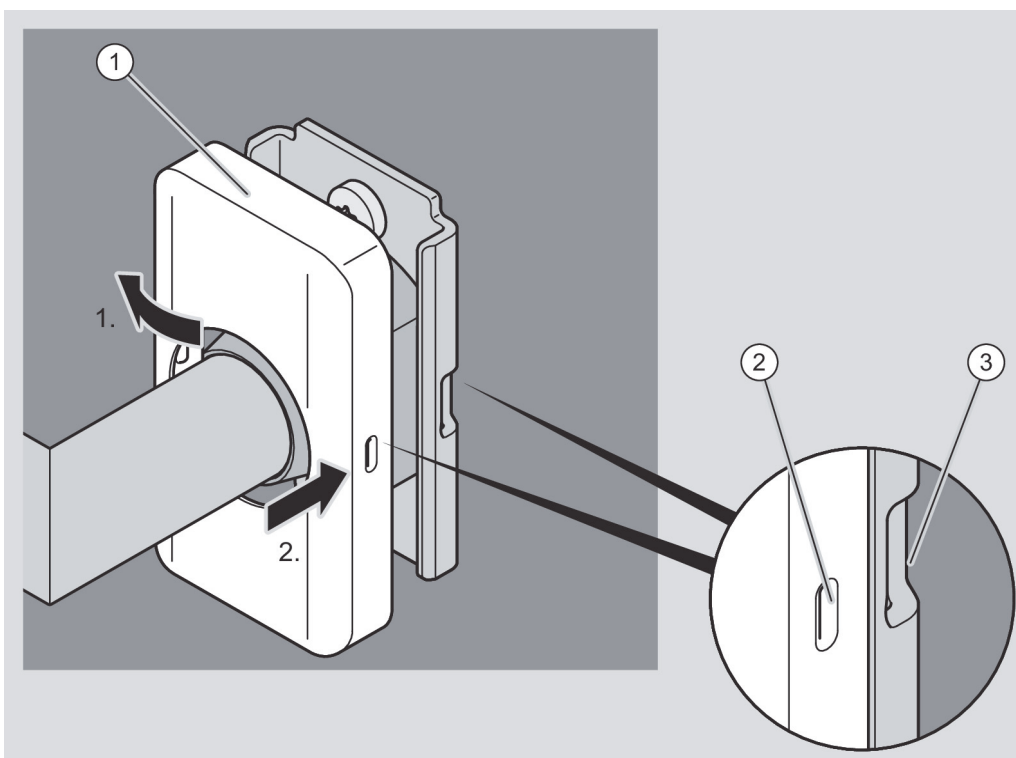
Distortion of the cover possible due to forceful pressing.

- ▶ Press the cover carefully until it clicks into the locking points.
- ▶ Use the heel of the hand to strike the edge of the cover lightly if necessary.

- ▶ Place the cylinder rosette (1) on the assembly profile as shown.

You must twist the lever handle rosette when putting it in position if this is necessary.

- ▶ Press the cylinder rosette laterally onto the assembly profile (1.) until the locking point of the cover (2) is in contact with the locking point of the assembly profile (3) (1.).
- ▶ Press the other side of the cover onto the assembly profile in such a way that the locking point audibly clicks into place (2).



- ▶ Attach the second lever handle rosette in the same way.

Installing handle and screwing on

If you cannot attach the handle by screwing all the way through, you can screw the assembly profiles on the outside and inside onto the door leaf with two short screws.

Apart from this, assembly occurs in the same way as described in the previous section.

- i** The short screws which are supplied are only suitable for metal doors with pre-cut M5 threads. You can obtain suitable screws for doors made of different material via specialist retailers.

The screws must be of the same length as the screws supplied and the heads must be uniform. The head of the short screw must be wider than the drill hole (5.5 mm). It may have a maximum diameter of 9.8 mm and a maximum height of 4 mm.

➤ Consult a specialist retailer for advice about suitable short screws for your door.

- i** You can pre-drill the screwing points in order to guarantee safe screwing.

You must attach the spindle on the handle and align the lever handle prior to attaching the handle.

- i** The alignment of the lever handle on the handle is described from page 61 onwards.

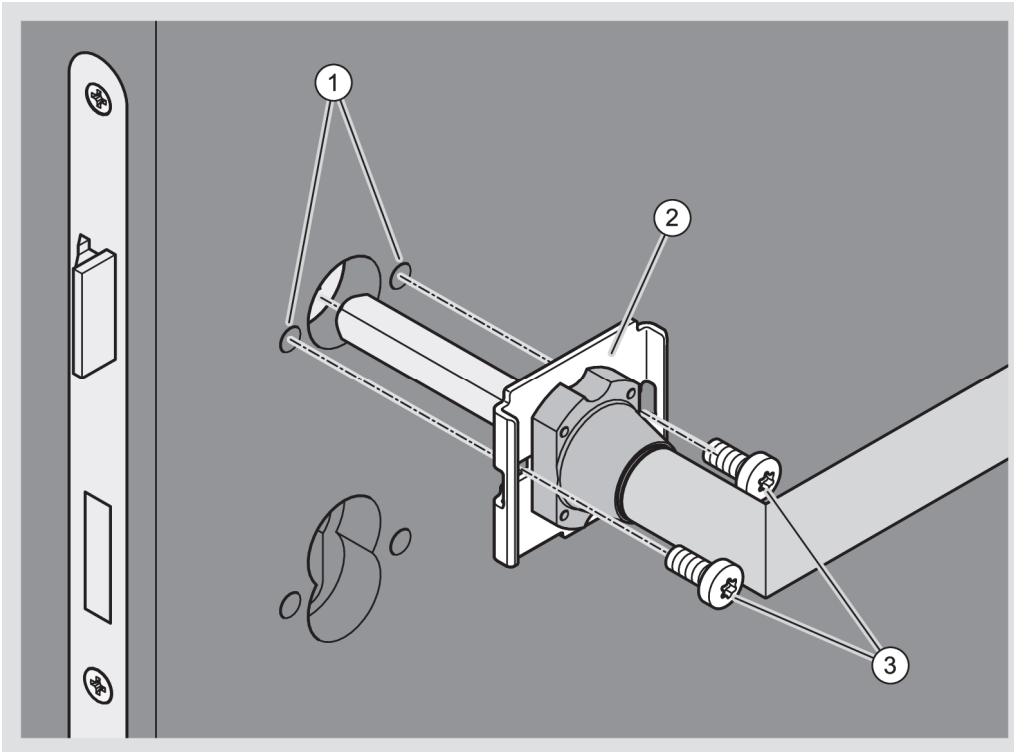
The attachment of the spindle is described from page 67 onwards.

The attachment of the spindle with reducing bushes is described from page 70 onwards.

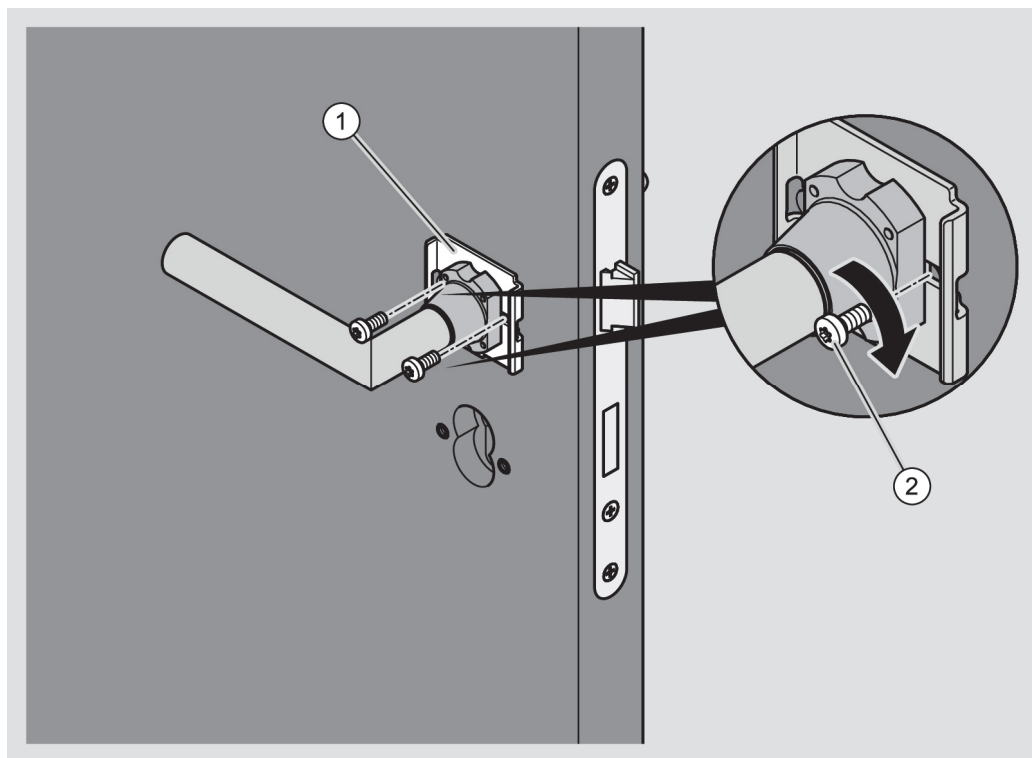
Always install the lever handle fittings/rosettes first for two-part handles. Only install the cylinder rosettes once the lever handle fittings/rosettes have been installed.

ATTENTION!	
	<p>It is possible to damage the surface of the lever handle when removing the cover.</p> <ul style="list-style-type: none"> ▶ Do not use any force when removing covers from handles. ▶ Twist the cover round the lever handle while pulling it off in order to avoid contact.

- ▶ If necessary remove the cover from the assembly profile as described from page 251 onwards.
- ▶ Insert the spindle into the spindle hub.
- ▶ Press the assembly profile (2) onto the door leaf.
- ▶ Screw the assembly profile of the lever handle rosette on the outside into the screw attachment points (1) on the door leaf with two short screws (3).
- ▶ Tighten the two short screws so they are hand tight.



- ▶ If necessary remove the cover from the assembly profile as described from page 251 onwards.
- ▶ Ensure that the lever handle on the inside handle is aligned correctly (see page 61).
- ▶ When using adapter sleeves, make sure that these are attached correctly (see page 70).
- ▶ Screw the assembly profile (1) of the lever handle rosette on the inside onto the door leaf with two short screws (2).
- ▶ Check the lever handle for ease of movement.
- ▶ Release the short screws a little if the lever handle does not move easily.
- ▶ Check the lever handle for ease of movement once again.

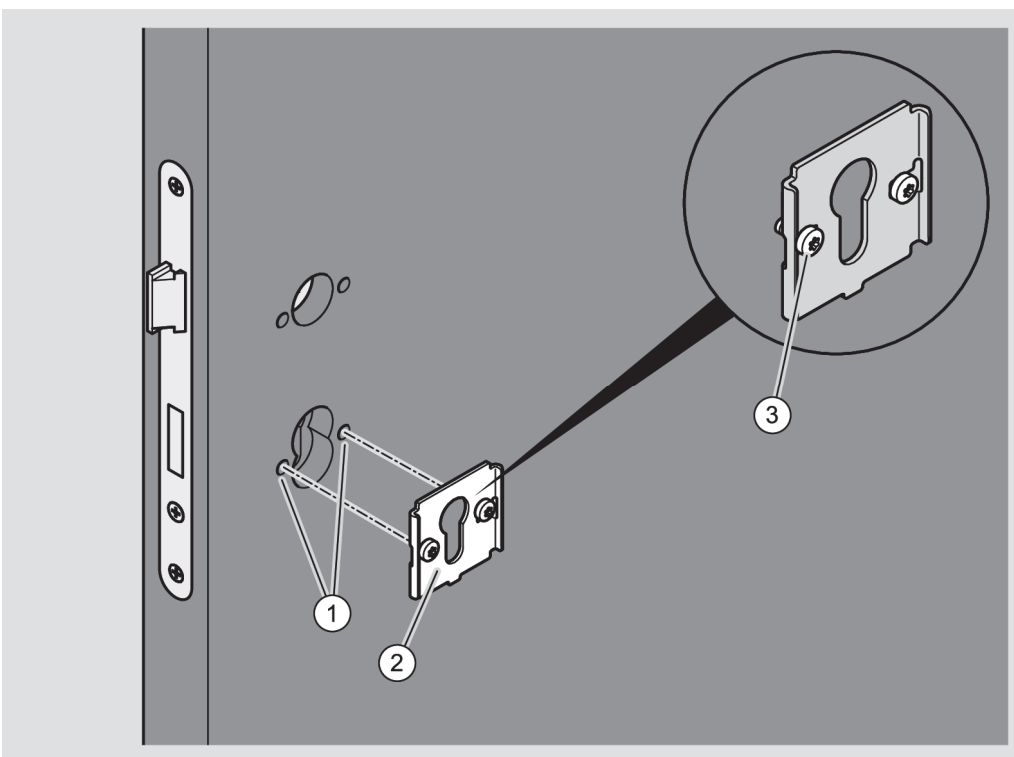


The assembly profiles for the cylinder rosette are screwed in place on both sides of the door with two short screws each.

i The lock cylinder should be inserted in order to simplify the alignment.

- ▶ Screw the assembly profile (2) on the outside onto the door leaf with two short screws (3) on the screw attachment points (1).
- ▶ Tighten the short screws so they are hand tight.
- ▶ Fit the assembly profile for the cylinder rosette on the inside in the same way.

i The lever handle rosette is not shown in the section which follows.



ATTENTION!

It is possible to damage the surface of the lever handle when fitting the cover.

- ▶ Do not use any force when installing the covers of handles.
- ▶ Twist the cover round the lever handle while fitting in order to avoid contact.
- ▶ Ensure that the cover and the lever handle do not touch when fitting the cover.

ATTENTION!

Distortion of the cover possible due to forceful pressing.

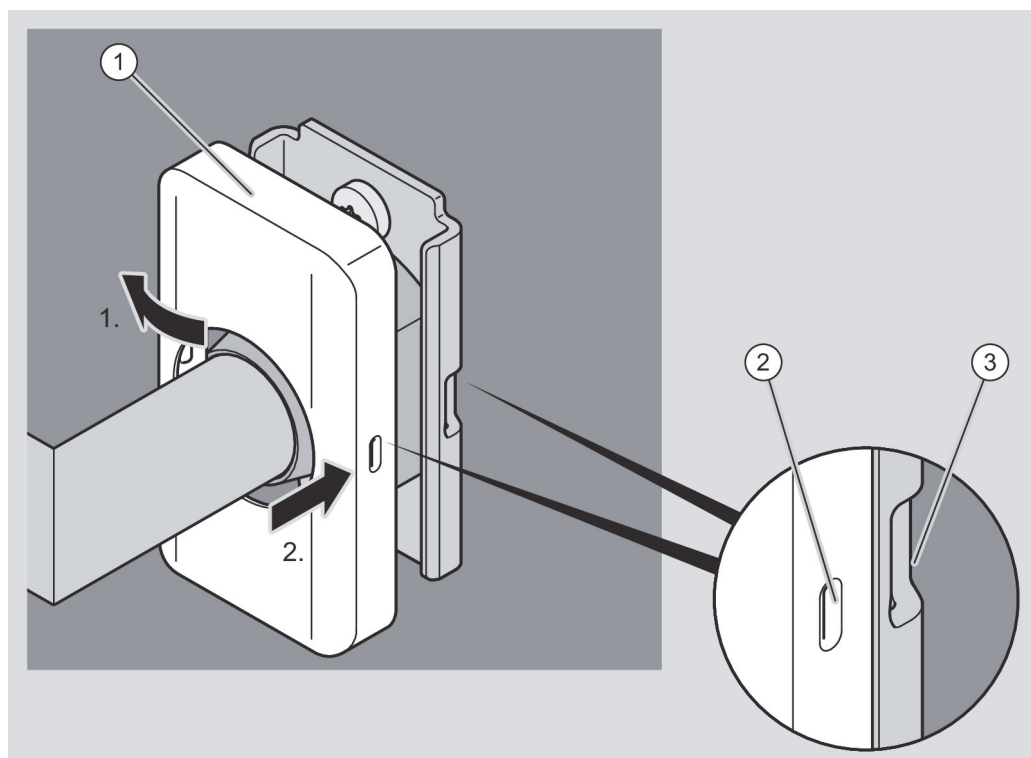
- ▶ Press the cover carefully until it clicks into the locking points.
- ▶ Use the heel of the hand to strike the edge of the cover lightly if necessary.

▶ Place the cylinder rosette (1) on the assembly profile as shown.

You must twist the lever handle rosette when putting it in position if this is necessary.

▶ Press the cylinder rosette laterally onto the assembly profile (1.) until the locking point of the cover (2) is in contact with the locking point of the assembly profile (3) (1.).

▶ Press the other side of the cover onto the assembly profile in such a way that the locking point audibly clicks into place (2).



▶ Attach the second lever handle rosette in the same way.

ATTENTION!

Distortion of the cover possible due to forceful pressing.

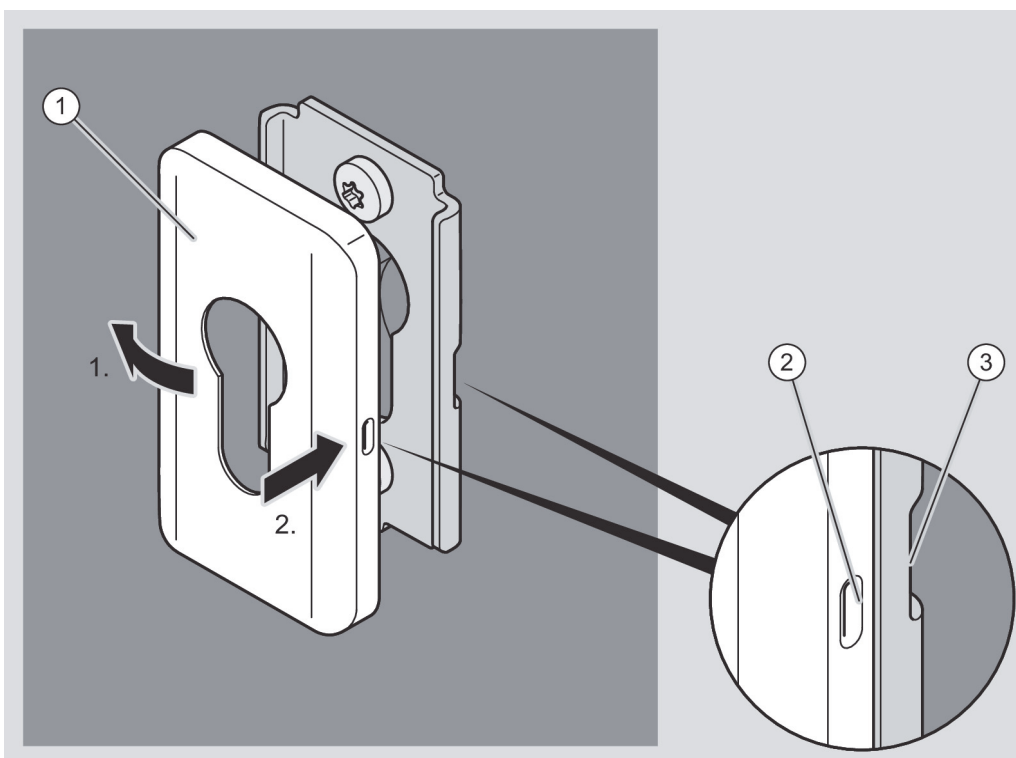
- ▶ Press the cover carefully until it clicks into the locking points.
- ▶ Use the heel of the hand to strike the edge of the cover lightly if necessary.

▶ Place the cover of the cylinder rosette (1) on the assembly profile as shown.

You must twist the cover of the cylinder rosette when putting it in position if this is necessary.

▶ Press the cover of the cylinder rosette laterally onto the assembly profile (1.) until the locking point of the cover (2) is in contact with the locking point of the assembly profile (3) (1.).

▶ Press the other side of the cover onto the assembly profile in such a way that the locking point audibly clicks into place (2).



▶ Attach the cover of the second cylinder rosette in the same way.

Combination GUARD with third-party handle

Always install the lever handle fittings/rosettes first for two-part handles. Only install the cylinder rosettes once the lever handle fittings/rosettes have been installed.

You must attach the spindle and lever handle to the handle prior to attaching the handle in position.

- ❗ The attachment of the lever handle to the electronic handle is described from page 63 onwards.
The attachment of the spindle is described from page 67 onwards.
The attachment of the spindle with reducing bushes is described from page 70 onwards.
- ❗ The short screws which are supplied are only suitable for metal doors with pre-cut M5 threads. You can obtain suitable screws for doors made of different material via specialist retailers.
The screws must be of the same length as the screws supplied and the heads must be uniform. The head of the short screw must be wider than the drill hole (5.5 mm). It may have a maximum diameter of 9.8 mm and a maximum height of 4 mm.
 - Consult a specialist retailer for advice about suitable short screws for your door.

- ❗ You can pre-drill the screwing points in order to guarantee safe screwing.

You can combine the handles of the GUARD family with third-party handles. Individual handles can also be supplied in addition to the handle sets for this purpose. The assembly does not otherwise differ from the procedure described above.

The manufacturer cannot guarantee compatibility with third-party handles. Therefore it is necessary to check whether the assembly of third-party handles with the GUARD handles is possible without difficulties prior to starting the assembly.

- ▶ Check whether screwing right through is possible with the third-party handles.

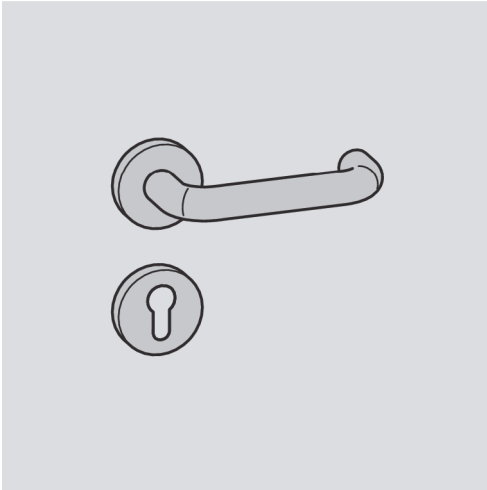
Otherwise attach the handles by screwing on.

- ▶ Take the instructions for installing the handle from the corresponding section for the respective handle variant and attachment method.



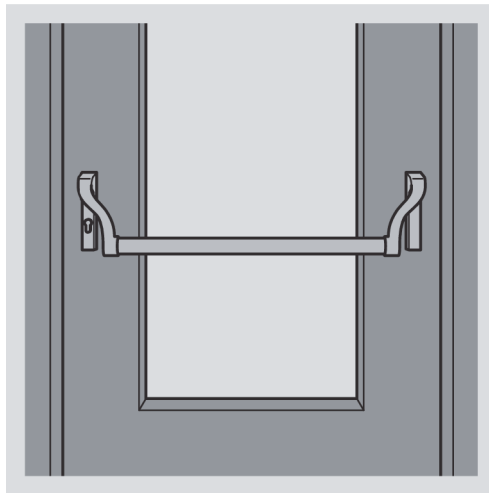
GUARD combined with handles which are present or third-party handles

The combination of a Guard handle with an old handle which is present is an example. A handle with round rosettes is shown as an example in the diagram which follows.



GUARD in escape and rescue routes

The combination of a Guard handle on the outside with a panic lock and a panic bar on the inside is an example of this.



WARNING



Serious injury or death possible as a result of handle not working properly due to inappropriate assembly or maintenance

Improperly assembled or maintained handles can impair the function of escape and fire doors in emergencies. This can result in serious or fatal injuries.

- ▶ Only have handles on escape doors and fire doors installed by specialist staff.
- ▶ Additionally, observe and follow the instructions issued by the respective door, lock and lever handle manufacturer.
- ▶ Replace the handles on escape and rescue doors once the maximum number of closing cycles specified on the data sheet has been reached.
- ▶ Only have maintenance work on handles on escape doors and fire doors carried out by specialist staff.

**⚠ WARNING**

Possible risk of severe or fatal injuries in the event of malfunctions.

When using GUARD family handles in escape routes and rescue routes, malfunctions may result in impaired function due to a lack of compatibility with the lock or panic bar. This can have an impact on the possibility of escape or rescue and thus result in serious or fatal injuries.

- ▶ Ensure the compatibility of the GUARD handle with the lock and the panic bar if applicable.
- ▶ The certificates of the lock manufacturer must be inspected for this purpose.

Using handle

Putting the handle into operation

- ❗ In order to put the handle into operation without using the app or software, you require the master card for setting the affiliation with the system. Setting the affiliation with the system must be undertaken once for each handle. Make sure that the master card is protected against unauthorised access. If the master card is lost, you must pay a fee to have the handle reset in the factory and newly programmed. Contact your dealer for this purpose.
- ❗ Programming with the master card and the programming card is carried out on each handle. Only perform programming when the door is open, so that you do not lock yourself out.
- ❗ The cylinder automatically detects transponders when they approach the handle's reading field. In rare cases, interference fields or the use of transponders that are not approved by DOM Sicherheitstechnik can lead to transponders not being detected.
 - Only use transponders which are approved by DOM Sicherheitstechnik for use with the handle.
 - Hold the transponder right on the reading field of the handle.
 - If the transponder is nevertheless not recognised, make sure that no interferences have an effect on the handle.
- ❗ The handle is in the mode "Permanently open" on delivery. You can open the door without holding a transponder to the reading field.
 - You must put the handle into operation in order to use the security function of the handle.
- ❗ You can find further information about putting into operation, programming and use in the instructions for use for the programming medium used which are supplied.

Proceed as follows to initialise the handle:

- ▶ Briefly hold the master card in front of the respective reading field.

The yellow LEDs light up once for a long time. Then the handle signals its initialisation by means of the short red, green, yellow and blue signal sequence and then by the long yellow signal sequence. The handle restarts following successful initialisation. The handle can then be programmed with the master card, programming card or software and app products.



i If the handle reads on both sides, programming on each handle is independent. The closing devices' permission can be programmed differently on both sides.

- ▶ If the handle reads from both sides, repeat the procedure on the other handle.

Creating a transponder

i The reading field automatically detects transponders when they approach the reading field. In rare cases, environmental influences in the form of interference fields or the use of transponders that are not approved by DOM Sicherheitstechnik can lead to transponders not being detected.

Proceed as follows to create the transponder:

- ▶ Hold the master card in front of the respective reading field.

The LEDs light up blue once for a long time.

The LEDs briefly light up green. The master card is accepted.

- ▶ Briefly and individually hold each transponder directly in front of the respective reading field and wait briefly for the signalisation.

The LEDs each briefly light up green. Addition of the transponder is signalled. Programming is completed after approx. five seconds (time-out) or by showing the master card (MID) again. The LEDs light up blue for a long time.

Cleaning handle

ATTENTION!

Damage to handle caused by the use of incorrect cleaning agents.

- ▶ Clean the covers and closing devices with a lightly wetted leather cloth without using any cleaning agent.

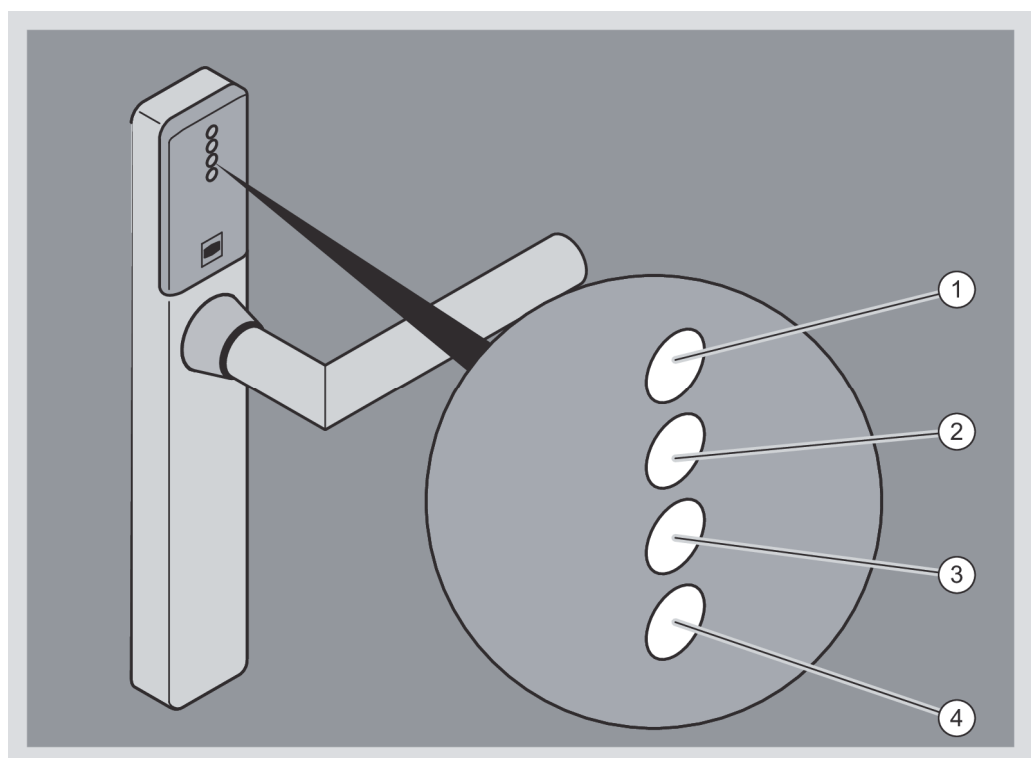
- ▶ If necessary clean the handle with a lightly wetted leather cloth without using any cleaning agent.
- ▶ During this process you must ensure that no moisture can make its way into the handle.

Changing batteries

i You can find information about the service life of the batteries which are supplied in the associated data sheets. The batteries can be supplied as accessories or they are available from specialist retailers.

Batteries which are not acquired from DOM may have a shorter service life. In this case DOM will not provide any guarantee for the battery life or the number of possible locking cycles.

The LEDs on the reading field display too low a level of the batteries as well as operating information. All four LEDs light up simultaneously for this purpose 1 – 2 – 3 – 4.



If the batteries are too low, this is indicated in three stages on the LEDs as follows:



Battery warning level 1

If the batteries will run flat soon, battery warning level 1 will be displayed as soon as you hold a transponder to the reading field. At battery warning level 1, all four LEDs light up as follows:

- All LEDs light up yellow for a long time
- All LEDs briefly light up red
- All LEDs briefly light up yellow
- All LEDs briefly light up red
- All LEDs briefly light up yellow
- All LEDs briefly light up red
- All LEDs light up yellow for a long time



Indicators at battery warning level 1

The LEDs then briefly light up green one after the other. You can open the door. You can operate the handle around 1,000 times before the next battery warning level is indicated.

- ▶ Inform the responsible person that the batteries in the handle have to be replaced soon.

Battery warning level 2

If the batteries will run flat shortly, battery warning level 2 will be displayed as soon as you hold a transponder to the reading field. At battery warning level 2, all four LEDs light up as follows:

- All LEDs light up yellow for a long time
- All LEDs briefly light up red
- All LEDs briefly light up yellow
- All LEDs briefly light up red
- All LEDs briefly light up yellow
- All LEDs briefly light up red
- All LEDs light up yellow for a long time
- All the LEDs light up yellow for a long time for a second time



Battery warning level 2 indicators

To be able to connect up the lever handle and open the door, you must hold the transponder to the reading field a second time.

- ▶ Hold the transponder to the reading field.

The LEDs briefly light up green one after the other. You can open the door. You can operate the handle around 500 times before the next battery warning level is indicated.

- ▶ Inform the responsible person that the batteries in the handle have to be replaced.

Battery warning level 3

When the batteries are almost flat, battery warning level 3 will be displayed as soon as you hold a transponder to the reading field. At battery warning level 3, all four LEDs light up as follows:

- All LEDs light up yellow for a long time
- All LEDs briefly light up red
- All LEDs briefly light up yellow
- All LEDs briefly light up red
- All LEDs briefly light up yellow
- All LEDs briefly light up red
- All LEDs light up yellow for a long time three times



Indicators at battery warning level 3

The door does not open.

- ▶ Ensure that the batteries in the handle are changed as quickly as possible.

- ⓘ If the batteries are not yet completely flat, you can still open the door with the master card.

- Hold the master card in front of the reading field once.

You can now activate the handle and open the door.

If the batteries are completely flat, you can no longer open the door.

- Change the batteries.

Proceed as follows to change the batteries:

- ① An electronic GUARD Slimline Compact is presented in the following section. The procedure for other electronic handles is the same as the one described here.

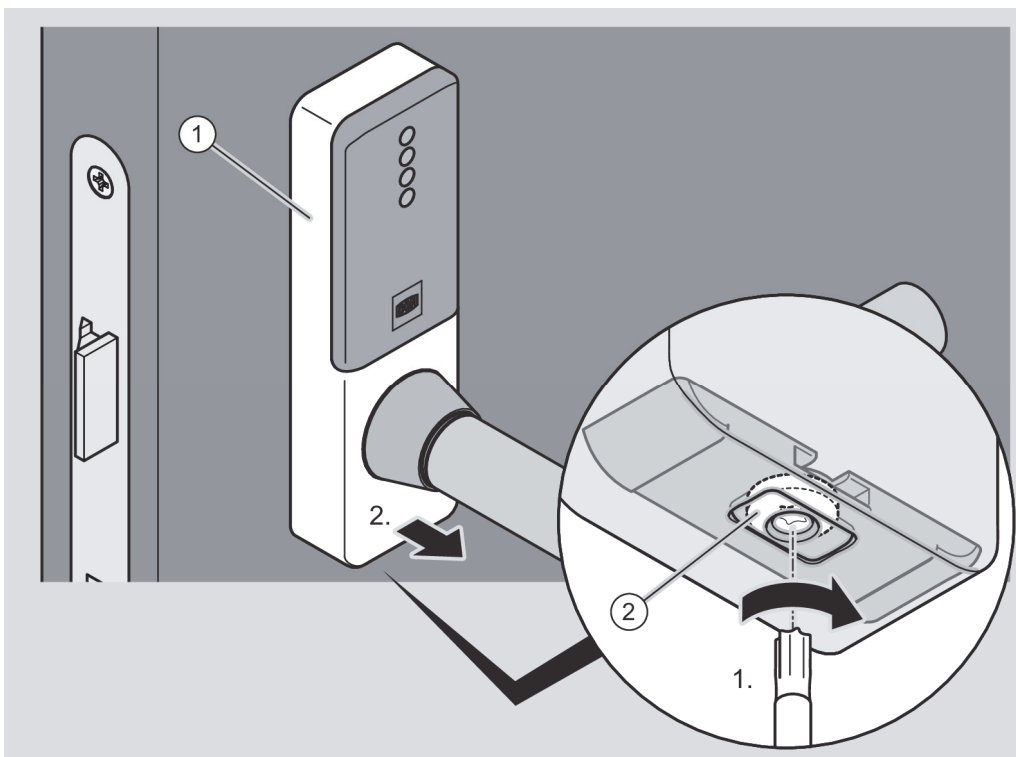
You will require a Torx10 screwdriver to release the screw on the cover closure.

Proceed as follows to remove the cover from the electronic handle:

- ▶ Turn the screw (2) on the underside of the cover as seen from below in a clockwise direction (1) to open the cover closure.

The locking block moves inwards.

- ▶ Lift the cover (1) away from the assembly profile at the bottom (2.).
- ▶ Lift the cover away from the assembly profile at the top.
- ▶ Pull the cover carefully over the lever handle while rotating it.



ATTENTION!

Damage to the electronic components of the handle due to contact possible.

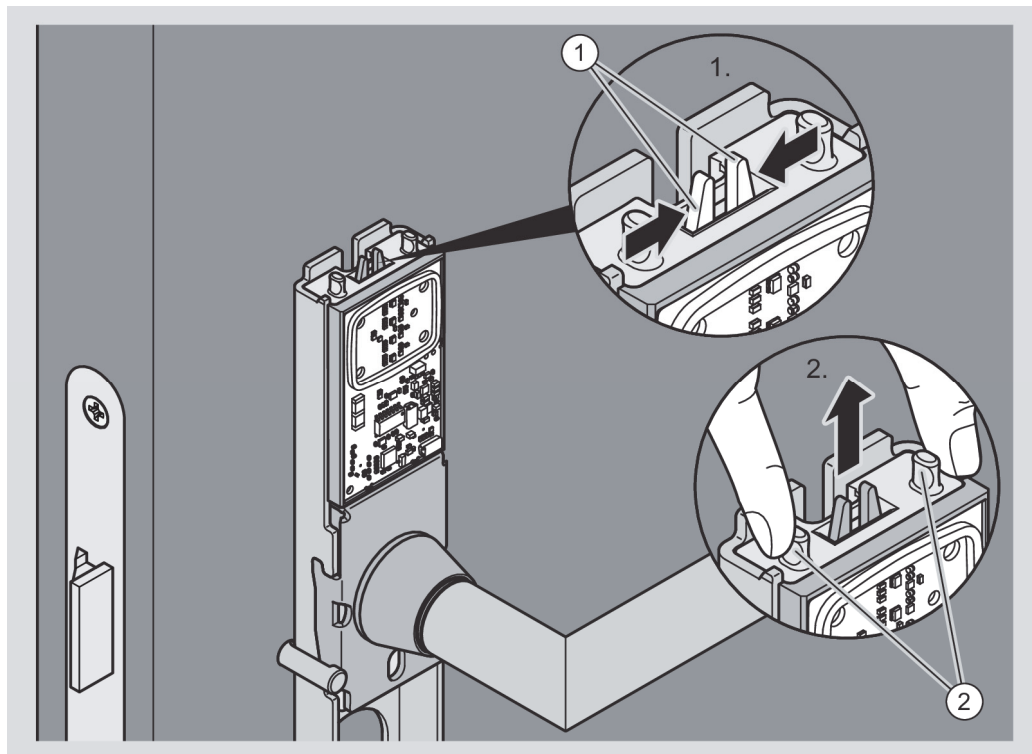
- ▶ Do not touch the electronic components of the handle.
- ▶ Touch an earthed object made of metal to discharge any electrostatic charge before continuing work.

A heater or tap are examples of suitable earthed objects.

- ▶ Press both parts of the unlocking mechanism (1) together (1.).

The battery holder is pressed a little way out of the battery compartment.

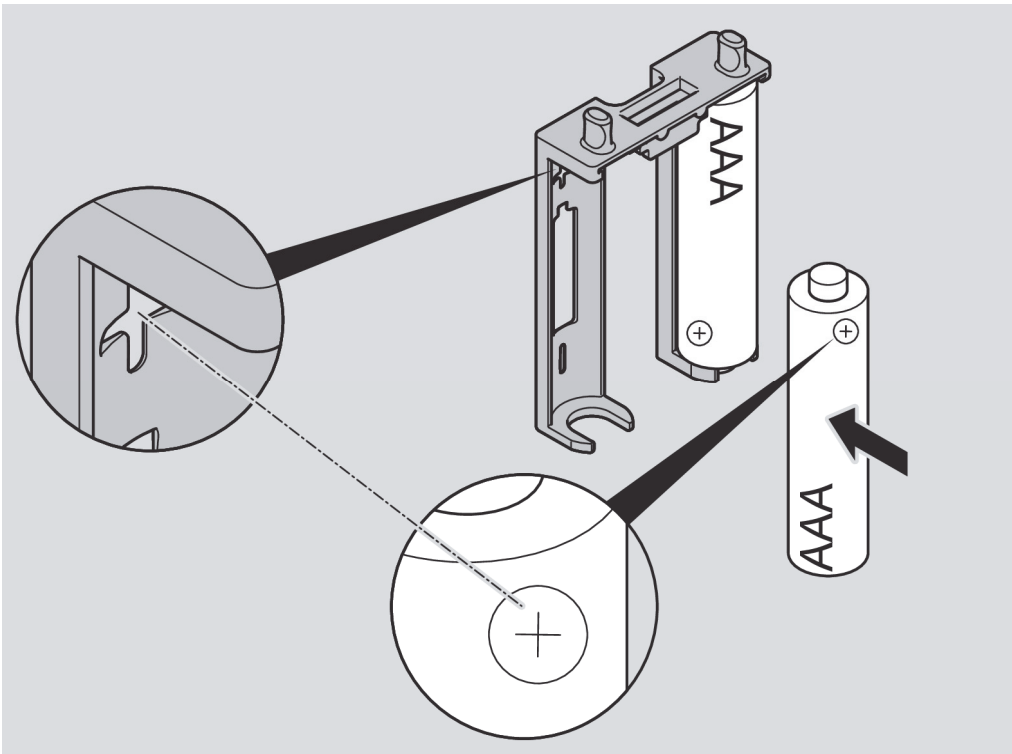
- ▶ Pull the battery holder out of the battery compartment completely using both gripping pins (2) (2.).





- ▶ Take the used batteries out of the battery holder.
- ▶ Dispose of the used batteries in line with the locally applicable regulations.
- ▶ Insert the new batteries of the same type into the battery holder with the correct polarity as shown.

i The correct polarities are marked on the battery holder.



- ▶ Hold the battery holder on the gripping pins and insert it into the battery compartment.
- ▶ Slide the battery holder carefully into the battery compartment until both parts of the unlocking mechanism audibly click into place.

You will hear a signal tone following insertion of the batteries. The LEDs briefly light up.

- ▶ Place the cover over the lever handle.

You must twist the cover if this is necessary.

- ▶ Place the cover (1) on the assembly profile from above first of all as shown.
- ▶ Then press the cover onto the assembly profile from above and below (1.).
- ▶ Ensure that the recess at the bottom of the cover is correctly positioned on the cover closure.

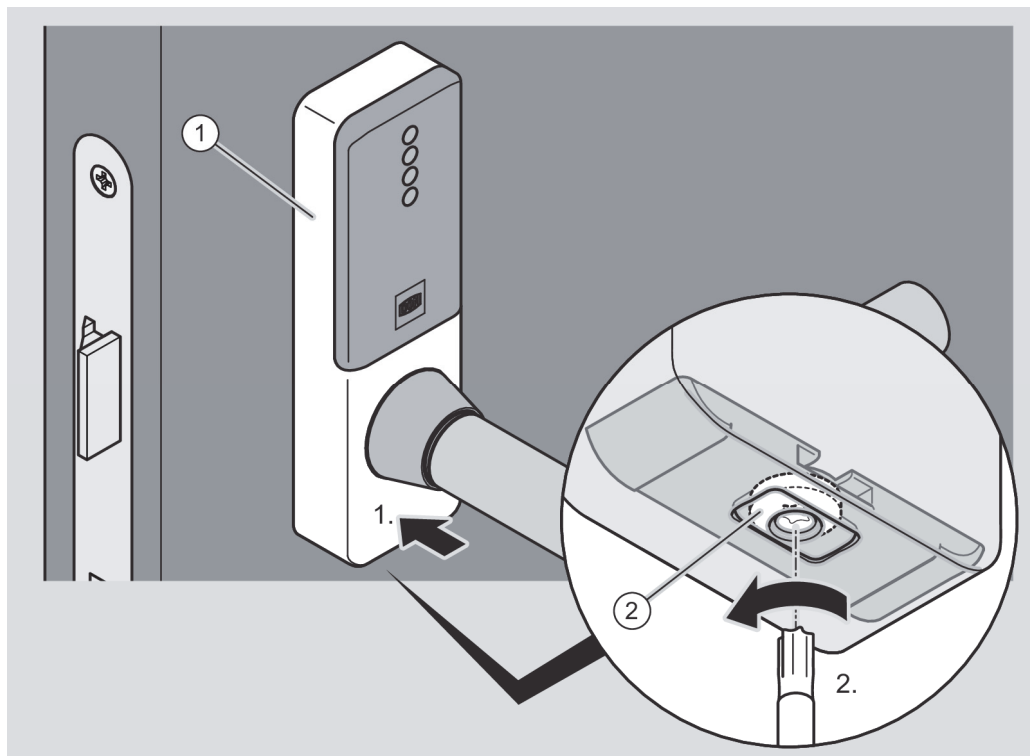
ATTENTION!

Damage to the cover possible due to excessive tightening of the screw.

- ▶ Only tighten the screw (2) so that the plate of the cover closure holds the cover securely.

- ▶ Turn the screw (2) on the underside of the cover in an anticlockwise direction to close the cover closure (2.).

The plate of the cover closure is pushed into the recess on the cover and it locks the cover.





ATTENTION!

- Loss of date and time possible following a battery change.
The loss of date and time can hamper or block the correct application of authorisations with schedules.
- ▶ After changing batteries, use the app or software to check whether the date and time are still up-to-date.
 - ▶ Correct the date and time if necessary.

Date and time are only relevant for use with the app or software.

Following use

Removing handle

The removal of the handles is in principle in the reverse order to the assembly. Proceed as follows:

- Remove the cover and/or rosettes on the inside of the door.
- Check whether you can loosen all screw connections.
- Remove the cover and/or rosettes on the outside of the door if necessary.
- ▶ Make sure that the tool required and material are in place.

You will require the following tools:

- TORX10 screwdriver, not angled, for removing the cover from the digital handle
- TORX25 screwdriver for screwing the lever handle and halves of the handle
- Rosette lifter for lifting the covers of the mechanical handle
- Long nose pliers for removing adapter sleeves

You will require the following material for lifting mechanical covers or covers for rosettes:

- Protective cover for door (cardboard or film) for levering on the door with the rosette lifter

The tool and the material are not included in the scope of supply.

Remove mechanical cover and rosettes

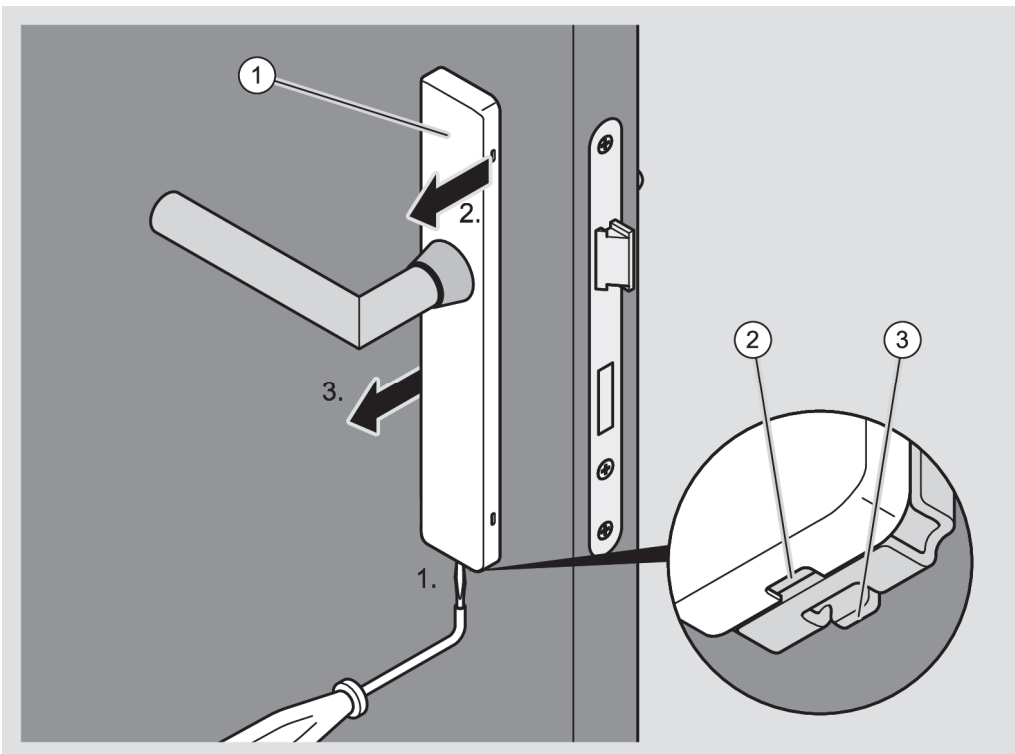
ATTENTION!	
	<p>Damage to the door is possible when opening with a rosette lifter.</p> <ul style="list-style-type: none"> ▶ Do not use any force when opening the covers for mechanical handles. ▶ Cover the door prior to removing the cover.

You can use a stable film or cardboard to cover the door for example.

ATTENTION!	
	<p>It is possible to damage the surface of the lever handle when removing the cover.</p> <ul style="list-style-type: none"> ▶ Do not use any force when removing covers from handles. ▶ Twist the cover round the lever handle while pulling it off in order to avoid contact.

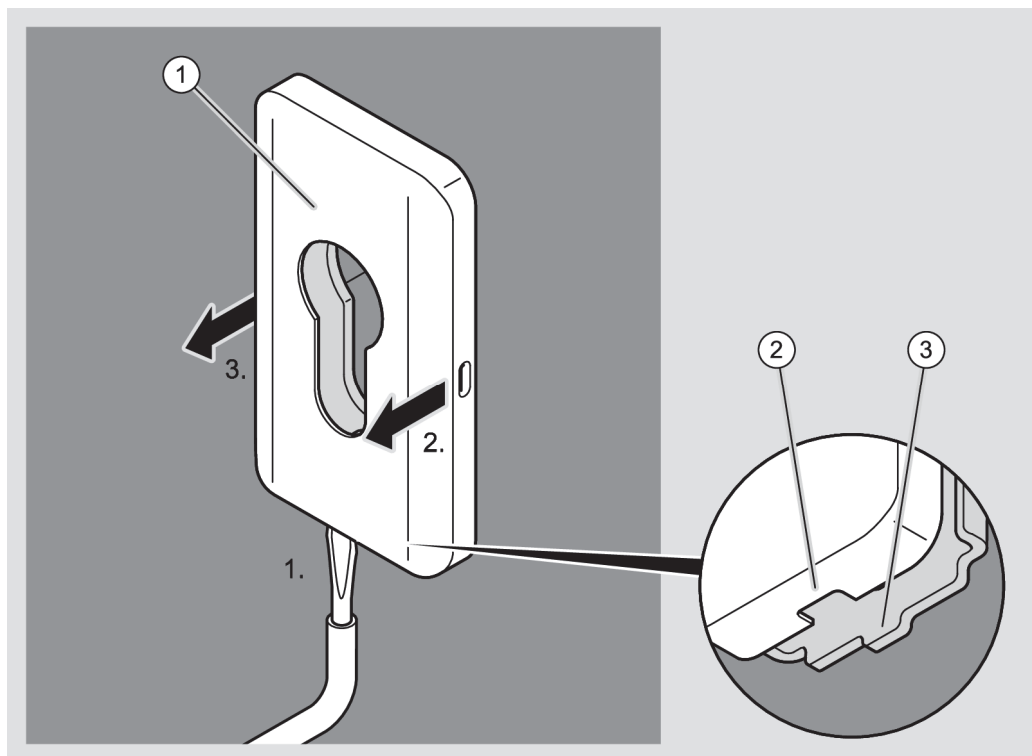
The cover is attached to the assembly profile with lateral catches. To release the catch, insert a rosette lifter between the recess (2) in the cover and the clip (3) on the assembly profile.

- ▶ Release the lateral locking points of the cover (1) from the locking points of the assembly profile with a rosette lifter (1.).
- ▶ First of all release the catches on one side of the cover (2.)
- ▶ Then release the catches on the other side of the cover (3.)
- ▶ Take the cover away from the assembly profile while twisting carefully.



The cylinder rosette is attached to the assembly profile with lateral catches. To release the catch, insert a rosette lifter between the recess (2) in the cylinder rosette and the clip (3) on the assembly profile.

- ▶ Release the lateral locking points of the cover (1) from the locking points of the assembly profile with a rosette lifter (1.).
- ▶ First of all release the catches on one side of the cylinder rosette (2.).
- ▶ Then release the catches on the other side of the cylinder rosette (3.).
- ▶ Take the cylinder-rosette away from the assembly profile while twisting carefully.





Taking away cover of electronic handle

ATTENTION!	
	<p>It is possible to damage the surface of the lever handle when removing the cover.</p> <ul style="list-style-type: none">▶ Do not use any force when removing covers from handles.▶ Twist the cover round the lever handle while pulling it off in order to avoid contact.

ATTENTION!	
	<p>Damage to the electronic components of the handle due to contact possible.</p> <ul style="list-style-type: none">▶ Do not touch the electronic components of the handle.▶ Touch an earthed object made of metal to discharge any electrostatic charge before continuing work.

A heater or tap are examples of suitable earthed objects.

- i** An electronic GUARD Slimline Compact is presented in the following section. The procedure for other electronic handles is the same as the one described here.

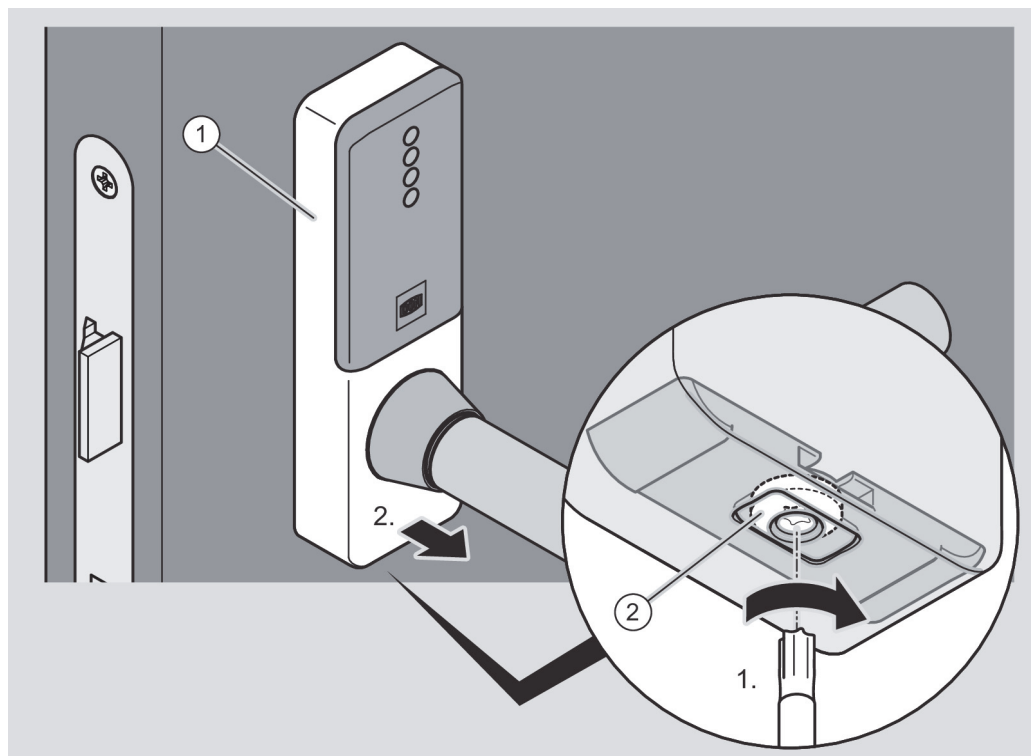
You will require a Torx10 screwdriver to release the screw on the cover closure.

Proceed as follows to remove the cover from the electronic handle:

- ▶ Turn the screw (2) on the underside of the cover as seen from below in a clockwise direction (1) to open the cover closure.

The locking block moves inwards.

- ▶ Lift the cover (1) away from the assembly profile at the bottom (2.).
- ▶ Lift the cover away from the assembly profile at the top.
- ▶ Pull the cover carefully over the lever handle while rotating it.



Dismantling the handle with an adapter plate

- ▶ Dismantle the cover and remove the battery holder.
- ▶ Dismantle the handle and the adapter plate in reverse order to assembly (see from page 135 onwards).
- ▶ Dismantle the remaining parts of the handle as described in the following sections.



Removing assembly profiles

The assembly profiles of the handle are removed in the reverse order to assembly.

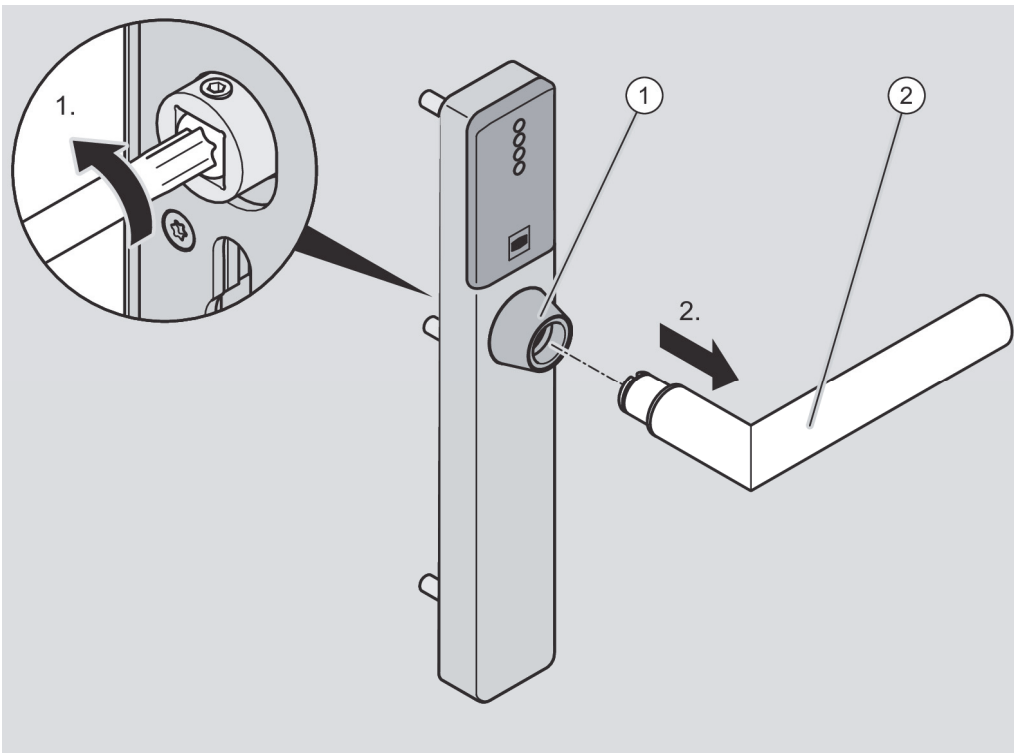
- ▶ Remove the attachment screws of the assembly profiles.
- ▶ Remove the assembly profiles from the door.
- ▶ Remove any adapter sleeves which may be present with long nose pliers.

Removing spindle

- ▶ Undo the grub screw on the spindle.
- ▶ Pull the spindle out of the coupling nut.
- ▶ Remove any adapter sleeves which may be present with long nose pliers.
- ▶ Screw the grub screw in a little once you have removed the outer lever handle.

Removing outer lever handle

- ▶ Release the TORX screw TX25 on the inside of the coupling nut (1).
- ▶ Pull the handle (2) out of the lever handle bearing.



- ▶ Screw the grub screw in a little.



Keep removed parts safe

Please proceed as follows to store the handle prior to assembly or following use:

- ▶ Store the handle in the original packaging so that it is dry and free of dust.
- ▶ Store the handle and its electronic circuit in particular at least 15 cm away from metal objects, transponder and card coils.

Disposal of handle

Once its service life has elapsed, you can return the handle to the manufacturer in its original packaging. The manufacturer will dispose of the cylinder and the batteries it contains in an environmentally friendly manner.

Alternatively, have an approved specialist disposal company dispose of the handle. Observe and follow the applicable regulations. In case of doubt, please contact your town/city or municipal administration.

The handle is mainly made of steel. Digital handles are additionally made of the following materials:

- Plastic
- Electronic components
- Batteries



- ▶ Dispose of the handle in line with the locally applicable regulations or via the manufacturer.



Contact

Please consult the branch in your country directly if you have additional questions.

DOM SICHERHEITSTECHNIK
GMBH & CO.KG

DE – 50321 Brühl
www.dom-group.eu

DOM NEDERLAND
NL – 2491 DH The Hague
www.dom-group.nl

HOBERG NV
B – 1300 Wavre
www.hoberg.be

DOM - CR S.P.A.
IT – 10154 Turin
www.dom-cr.it

DOM-MÉTALUX S.A.S.
F – 52115 Saint-Dizier
www.dom-europe.com

DOM-TITAN
SI – 1241 Kamnik
www.titan.si

EURO-ELZETT KFT.
HU – 9400 Sopron
www.euro-elzett-hu

UCEM
ES – 01013 Vitoria-Gasteiz
www.ucem.es

DOM SICHERHEITSTECHNIK
GMBH

A – 1140 Vienna
www.dom.at

DOM SCHWEIZ AG
CH – 8852 Altendorf
www.dom-group.ch

DOM-POLSKA SP. Z O.O.
PL – 42-202 Częstochowa
www.dom-polska.pl

DOM-UK LTD.
GB – Oldbury, B69 4LT
www.dom-security.com/uk/en

DOM CZECH SPOL. S R.O.
CZ – 180 00 Prague
www.dom-czech.cz

DOM RONIS S.A.S
F – 18600 Sancoins
www.dom-security.com/fr

MCM S.A.
ES – 01013 Vitoria-Gasteiz
www.mcm.es

ANTIPANIC S.p.a.
IT – 40013 Castelmaggiore
www.antipanic.it

DOM Sicherheitstechnik GmbH &
Co.KG is part of the DOM Security
Group headquartered in France
DOM SECURITY S.A.
F – 75017 Paris
www.dom-security.com