

1 2 3 4 5 6 7 8

A

B

C

D

E

F

A

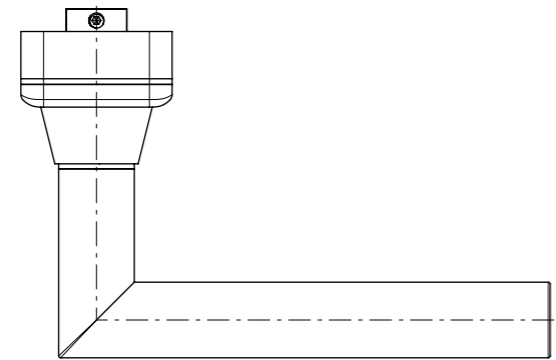
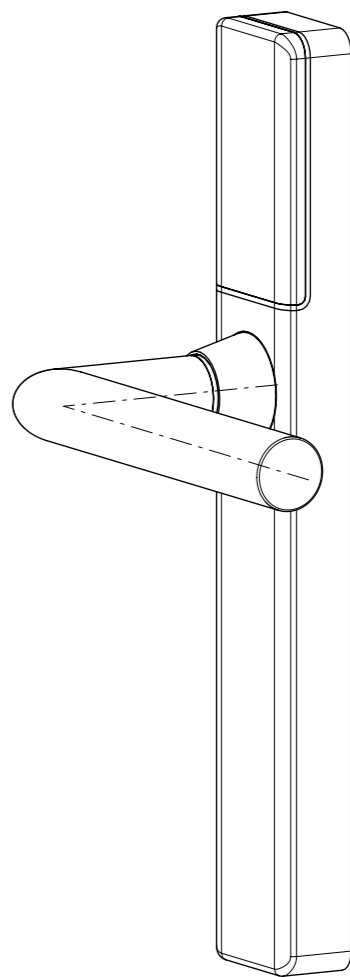
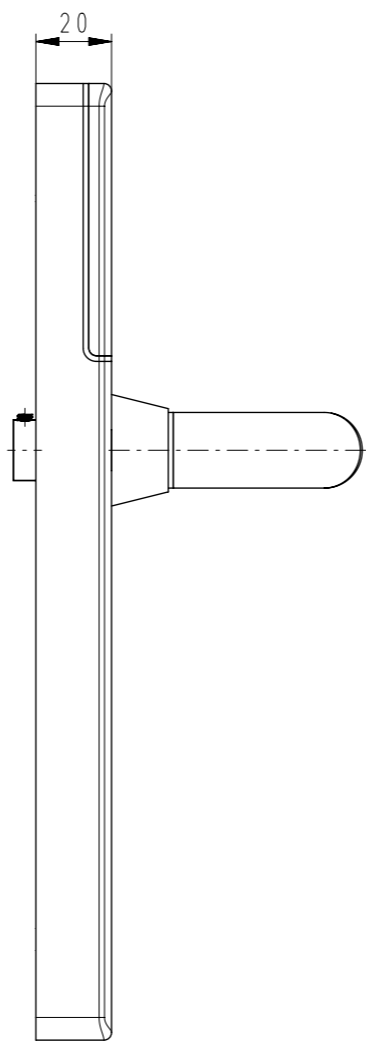
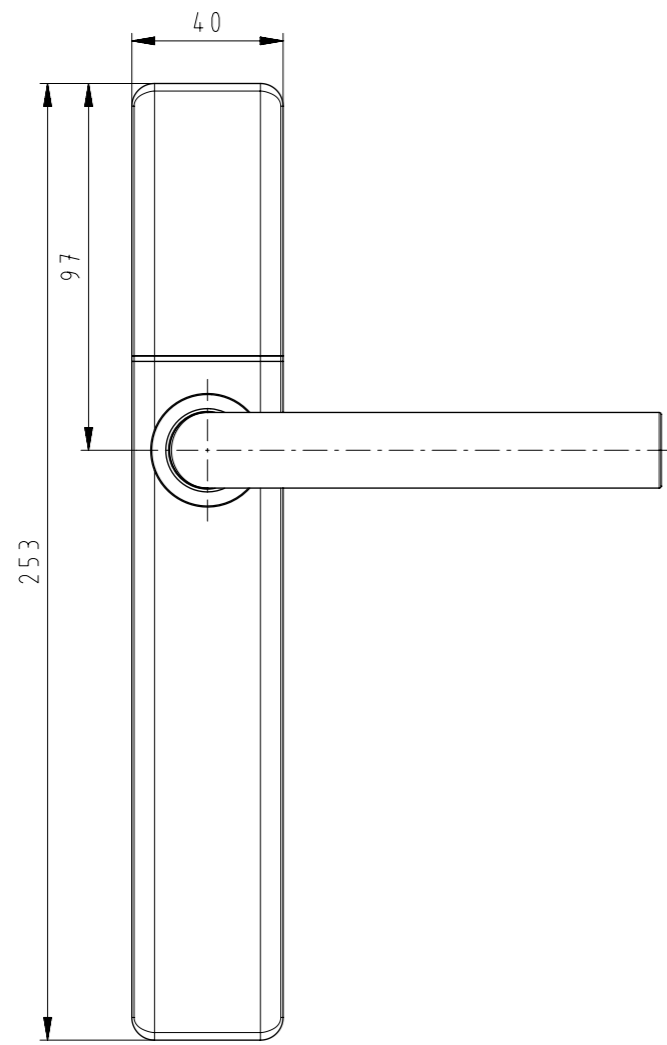
B

C

D

E

F



	Notice of protected rights refer to DIN ISO 16016	Unspecified Tolerances		Surface		Scale: 1:2		Volume:.	
		Unspecified Edges:		Finish		Material:		Status:	
ISO 13715				Alternative:		Part-No.		Product hierarchy	
				Date		Name		Rev.: 003	
				Drawn		05.12.18		O.Knie	
				Approved					
				CAD				Part Name	
				NX				Guard Leseseite Slimline	
				DIN A3				Guard reading side Slimline	
				Rev.		Modification		Drawing-No.	
				Date		Name		699-10-531	
				Date		Name		Page 1 of 1	
				Rep. for:		Rep. by:			

1 2 3 4 5 6 7 8