

1 2 3 4 5 6 7 8

A

B

C

D

E

F

A

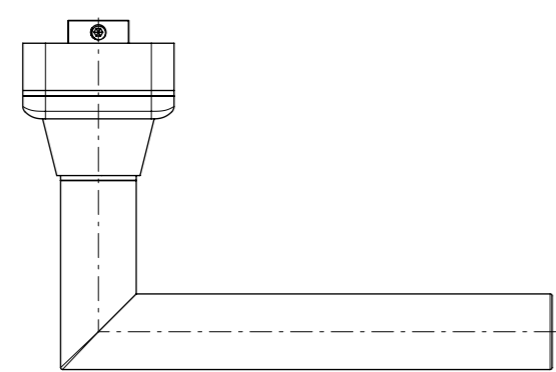
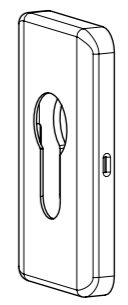
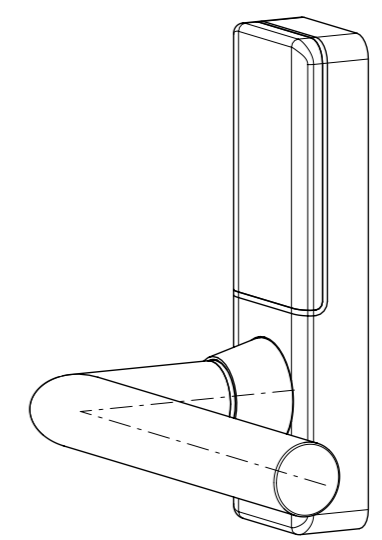
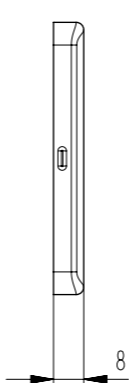
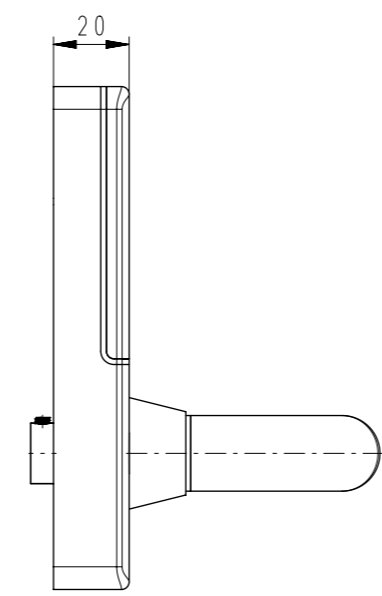
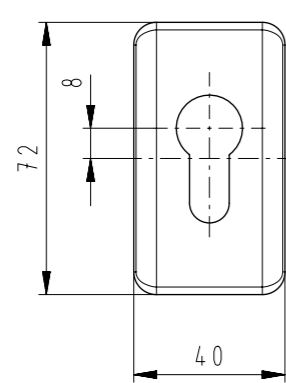
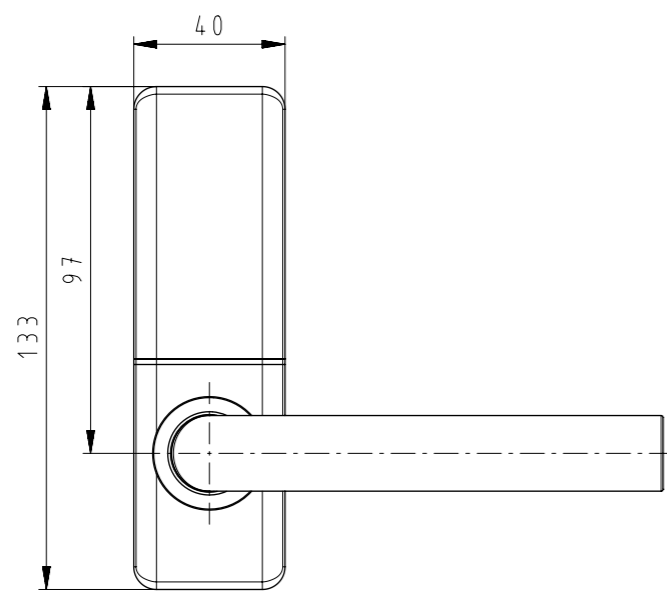
B

C

D

E

F



	Notice of protected rights refer to DIN ISO 16016	Unspecified Tolerances		Surface		Scale: 1:2		Volume:.	
		Unspecified Edges: ISO 13715		Finish		Material:		Status:	
						Alternative:		Rev.: 003	
						Part-No.		Document-No. 518688	
						Product hierarchy		Part Name	
						Date		Name	
						Drawn 05.12.18		O.Knie	
						Approved			
						CAD NX			
						Drawing-No. 699-10-551		Page 1 of 1	
Rev.		Modification		Date		Name		Rep. by:	

1 2 3 4 5 6 7 8