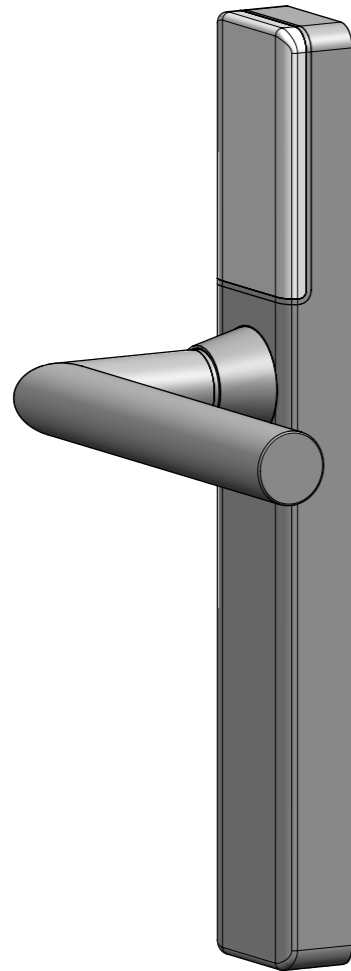


Guard Leseseite
Slimline

699-10-531 (518686)

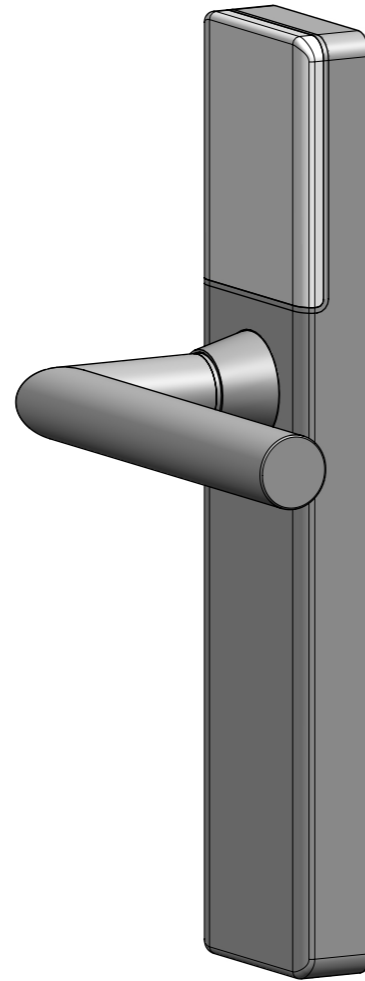
Guard reading side
Slimline



Guard Leseseite
Wideline

699-10-541 (518687)

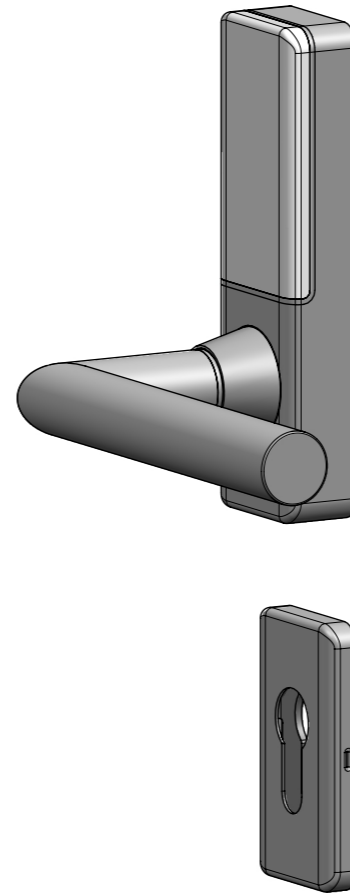
Guard reading side
Wideline



Guard Leseseite
Compact Slimline

699- 10 -551 (518688)

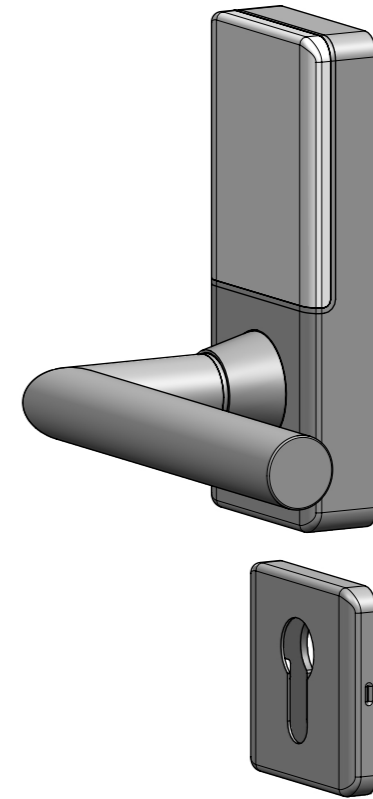
Guard reading side
Compact Slimline



Guard Leseseite
Compact Wideline

699- 10 -561 (518689)

Guard reading side
Compact Wideline



	Notice of protected rights refer to DIN ISO 16016	Unspecified Tolerances		Surface	Scale: 1:2	Volume:.
		Unspecified Edges:		Finish	Material:	Status:
		ISO 13715			Alternative:	Rev.: 003
					Part-No.	Document-No. 518685
				Date	Product hierarchy	
				Drawn 05.12.18	Name	Part Name
				Approved		Guard Leseseite komplett
						Guard reading side complete
				CAD NX		Drawing-No.
						699- 10 -511
						Page 1 of 1
				DIN A3	Rep. for:	Rep. by: