

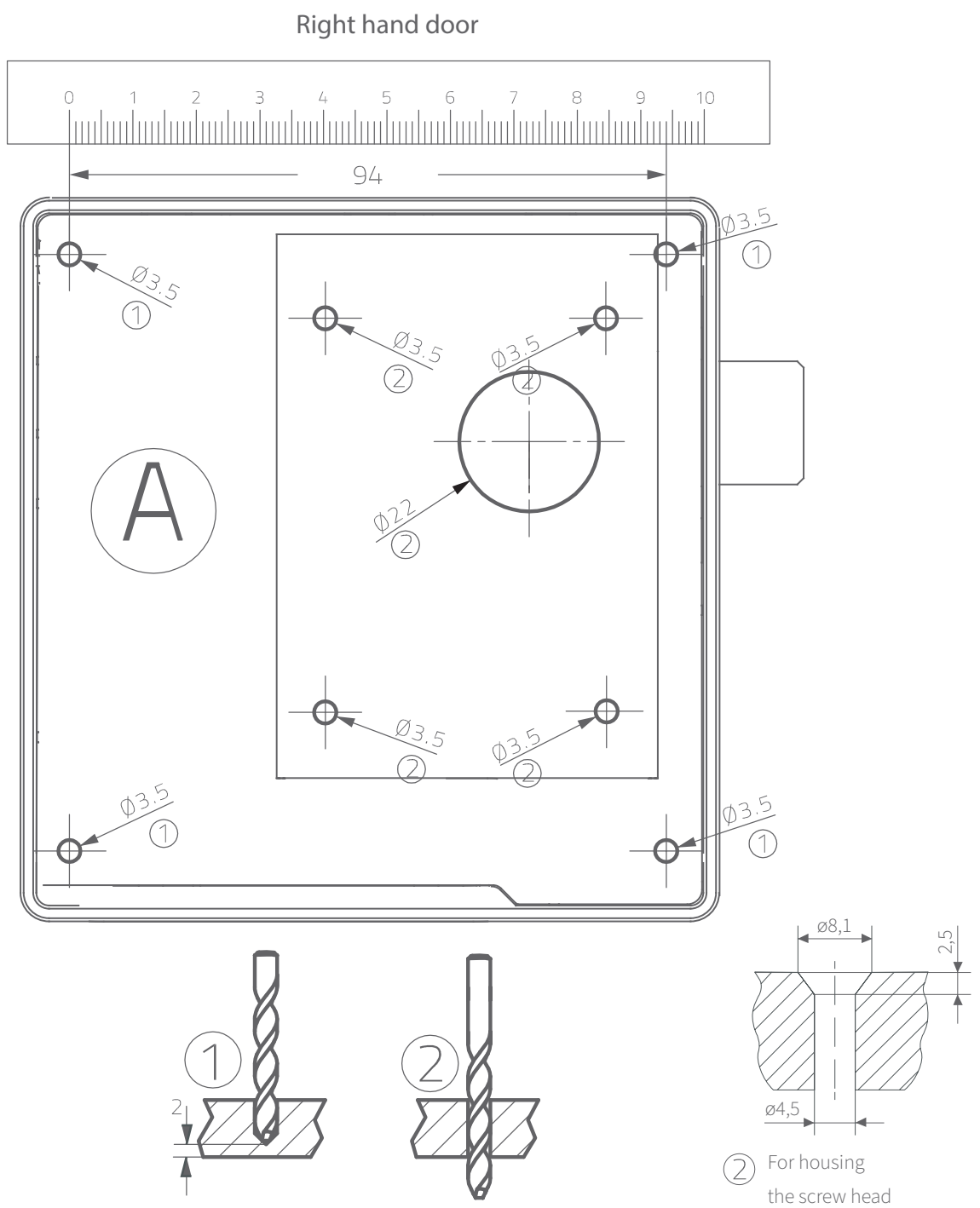


Tronic Slim

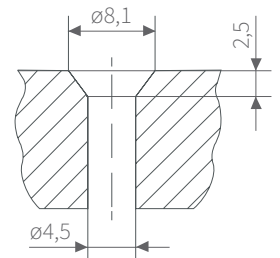
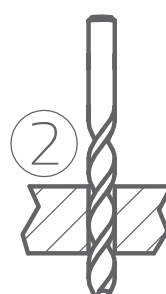
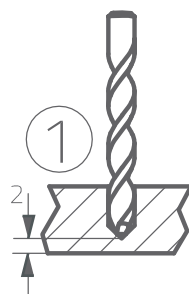
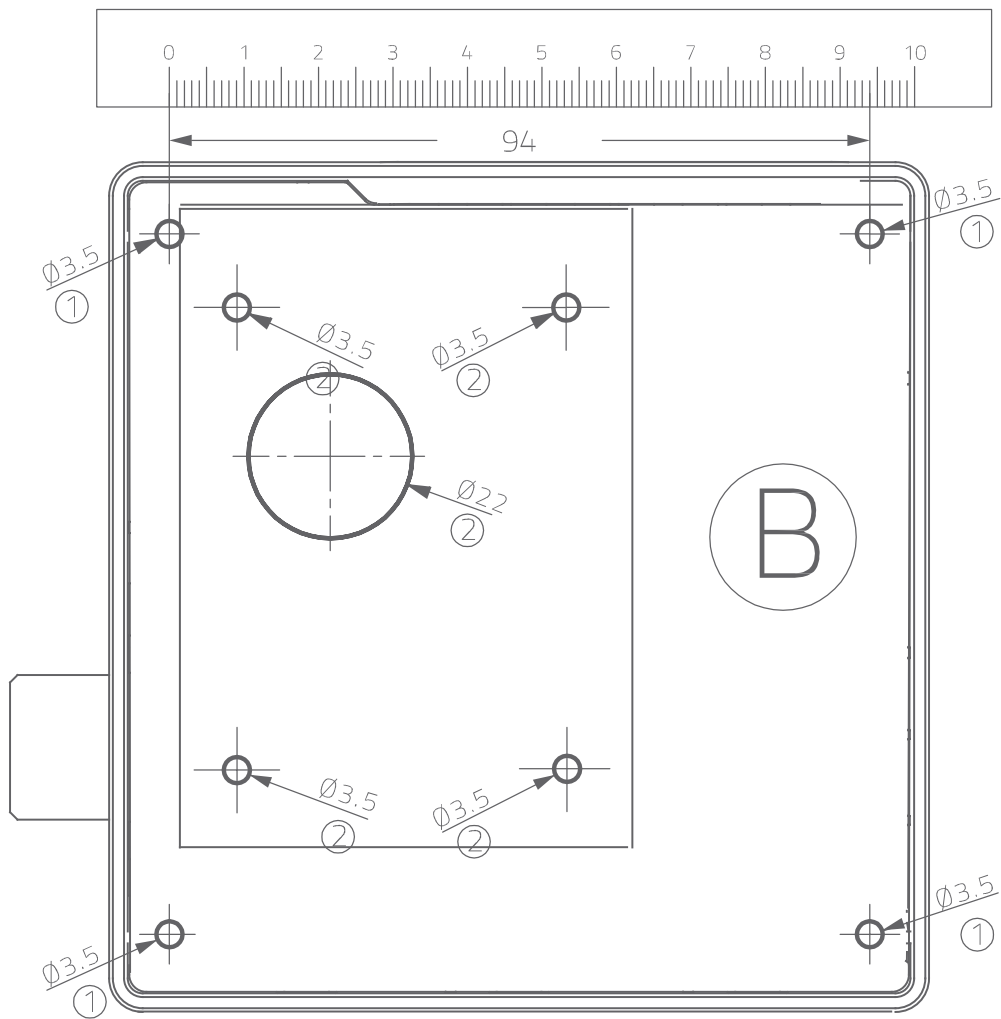
Assembly

Drilling template

ASSEMBLY



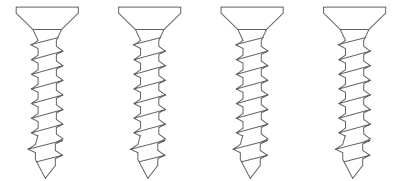
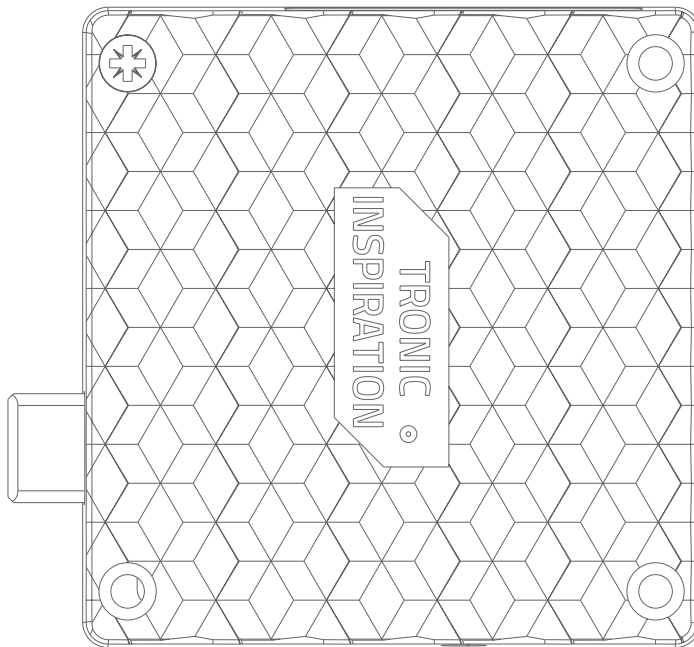
Left hand door



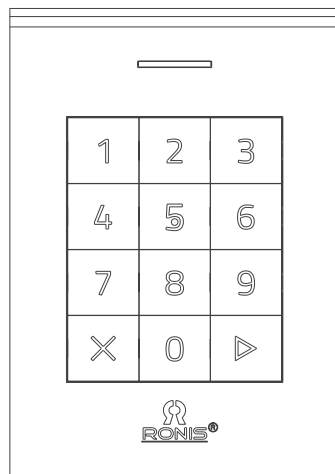
② For housing the screw head

Accessories

ASSEMBLY

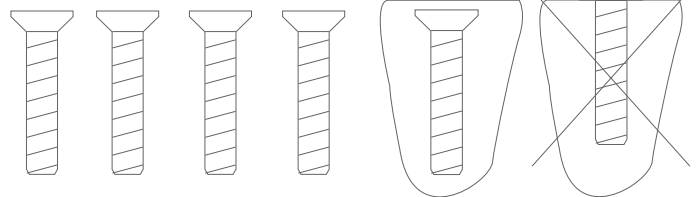


C $\varnothing 5 \times 29.5$



E $\varnothing 3.5 \times 9.5$

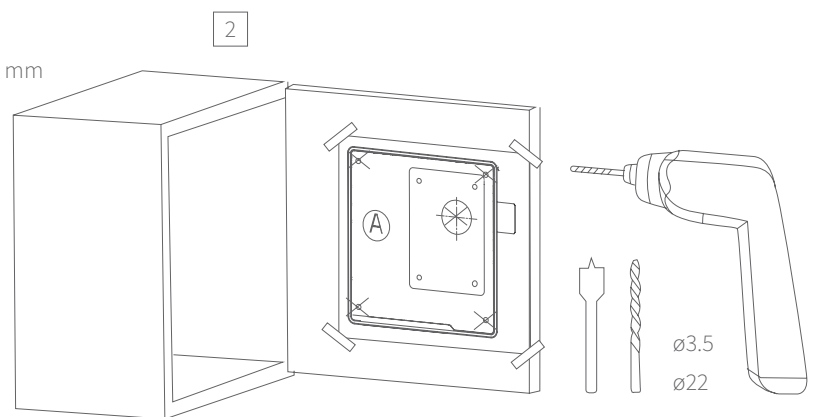
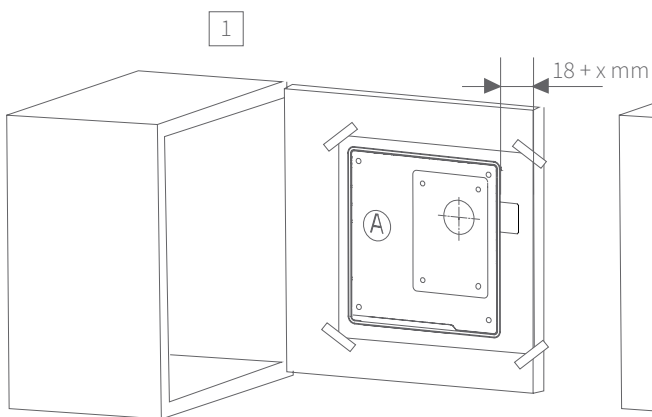
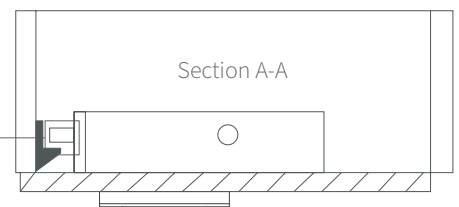
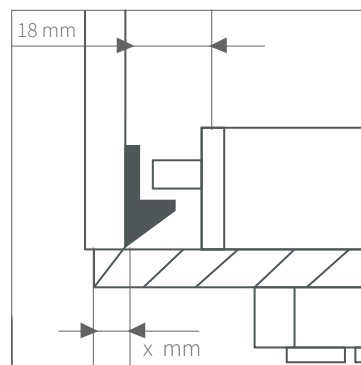
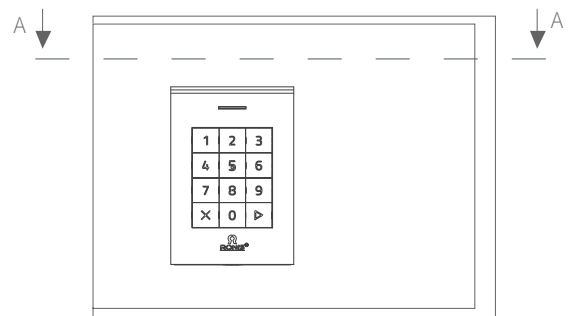
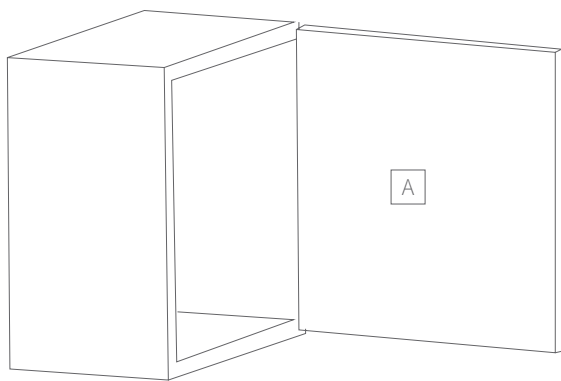
F Strike plate



D M3x18

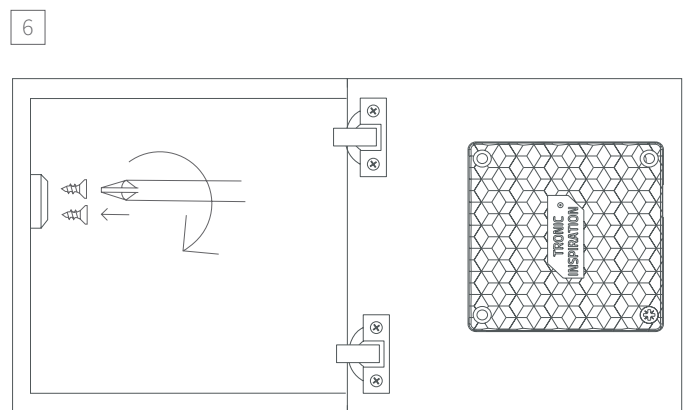
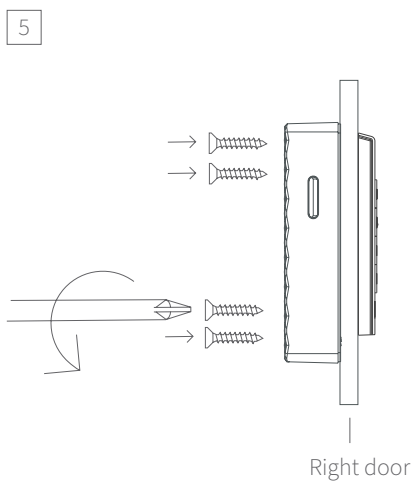
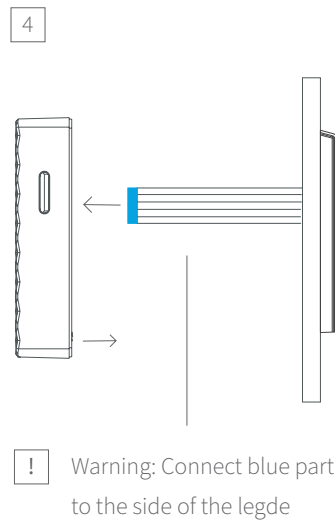
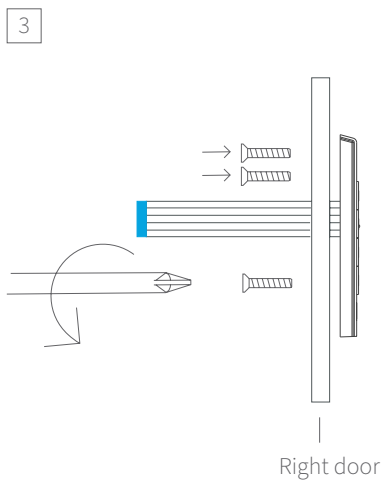
Right door assembly

ASSEMBLY



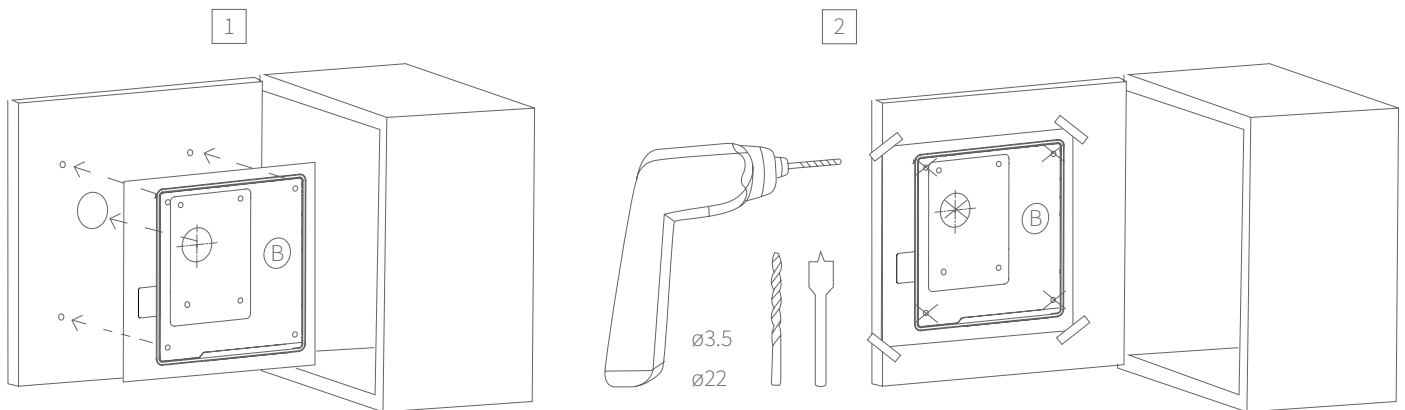
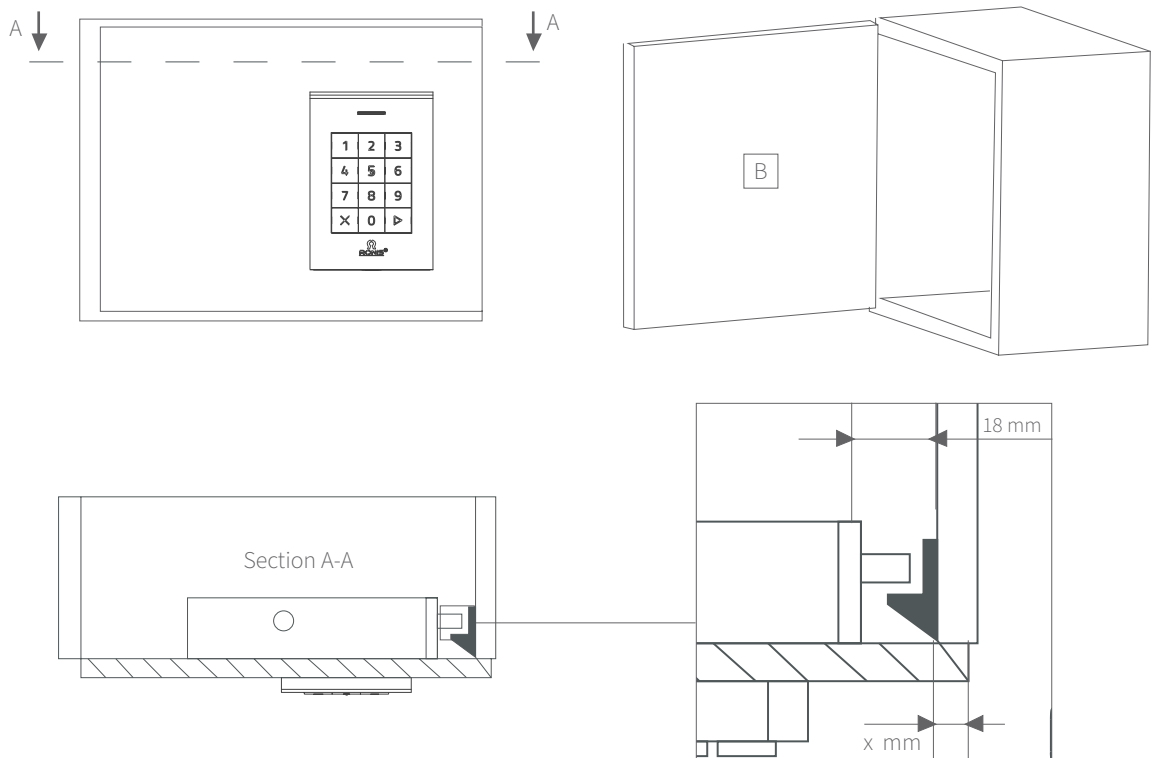
Right door assembly

ASSEMBLY



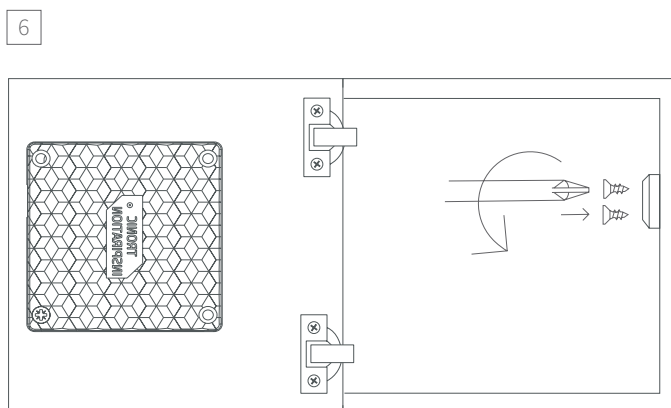
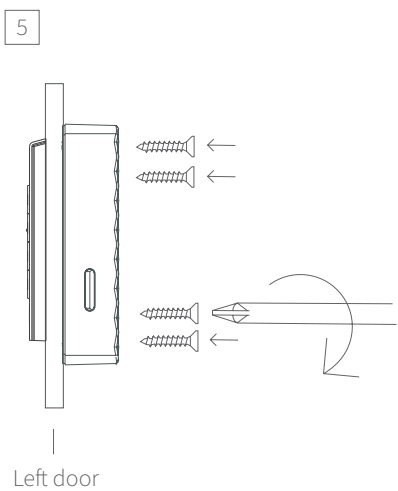
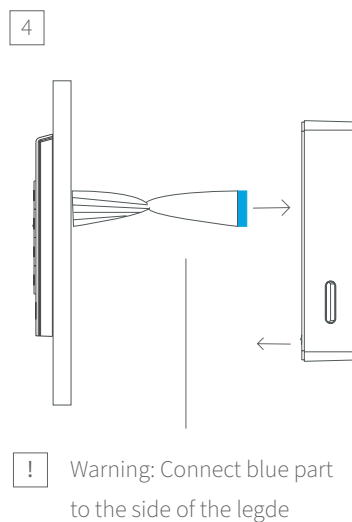
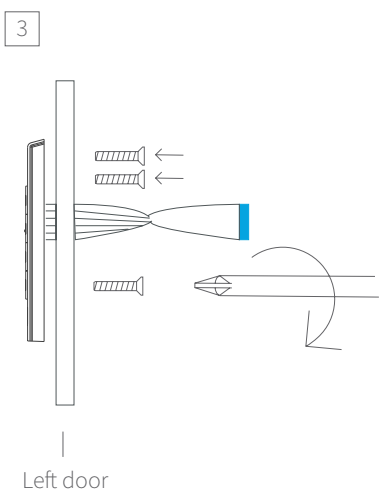
Left door assembly

ASSEMBLY



Left door assembly

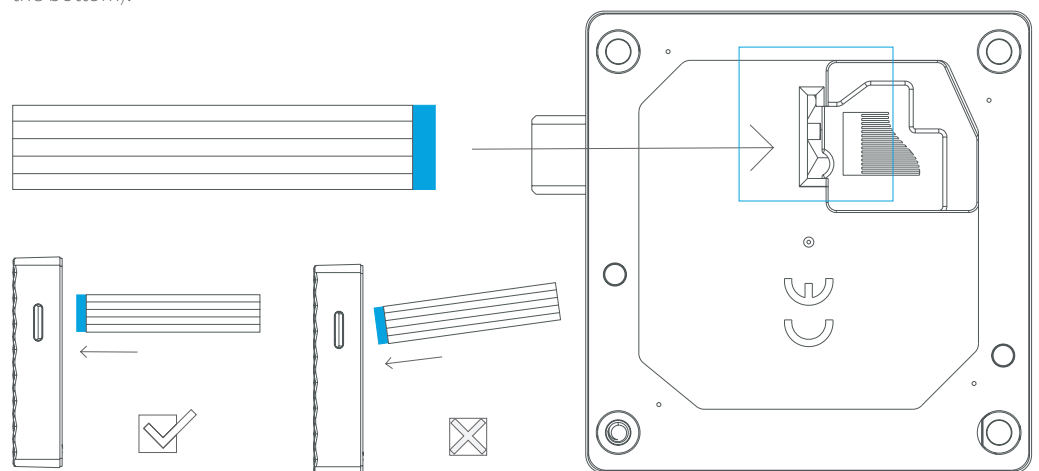
ASSEMBLY



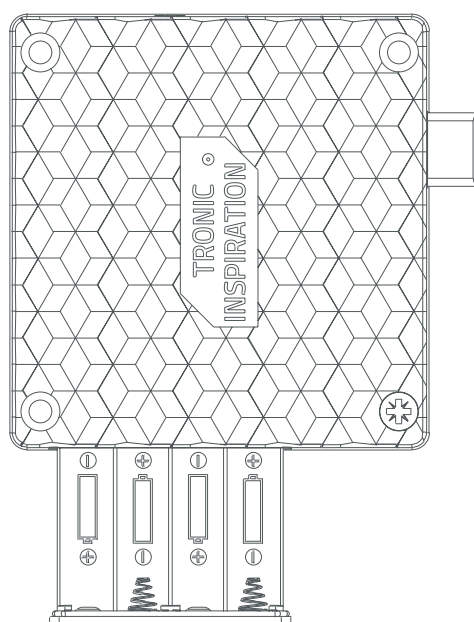
1

Verify that the cable is properly connected (straight and until the bottom).

Don't push any key during the wire assembly process.



2



Release the batteries thanks to T20 Torx Security screw located on the opposite of the battery case

Verify that the batteries are in the right polarity (as indicated in the battery box).

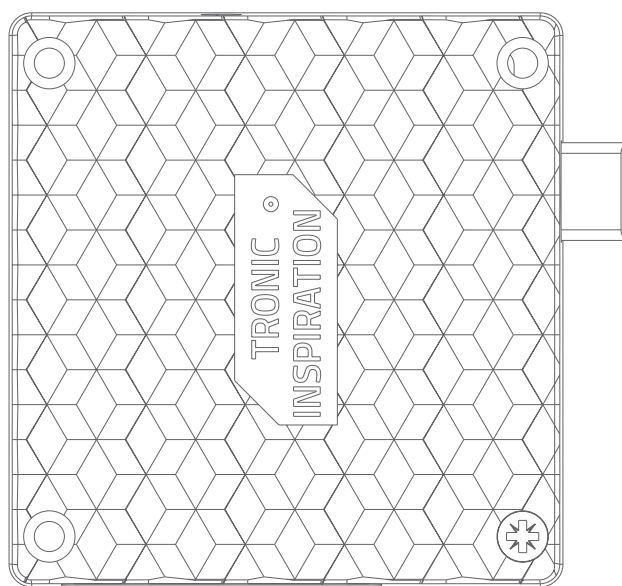
IMPORTANT

The battery pack must remain connected during the release of the batteries. Otherwise, the internal clock will lose the time configuration.

Important notes

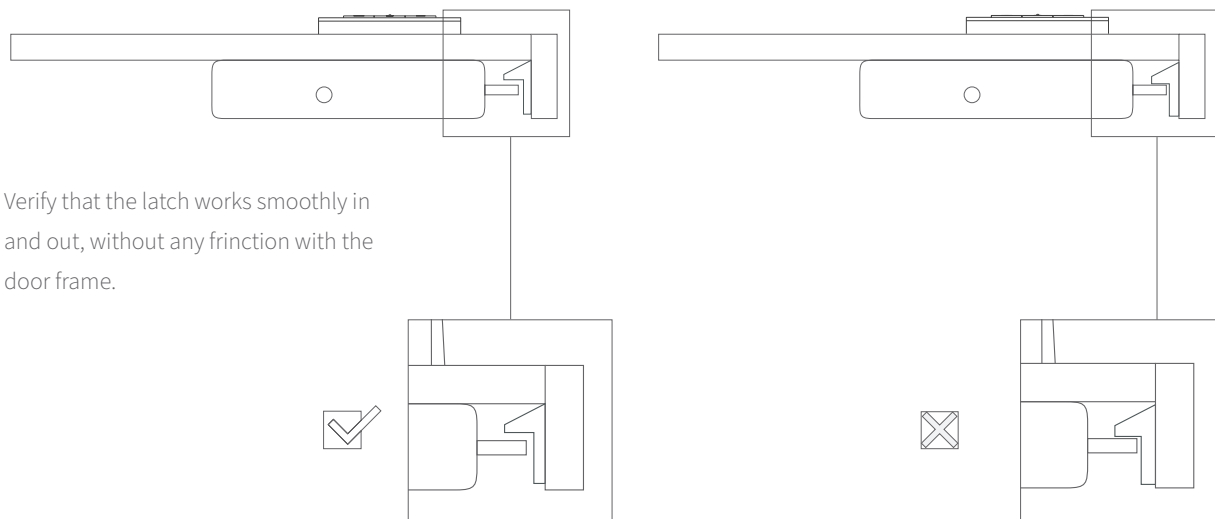
ASSEMBLY

3



Verify that the screws are not fastened too tight (<math><20\text{kgf/cm}^2</math>).

4

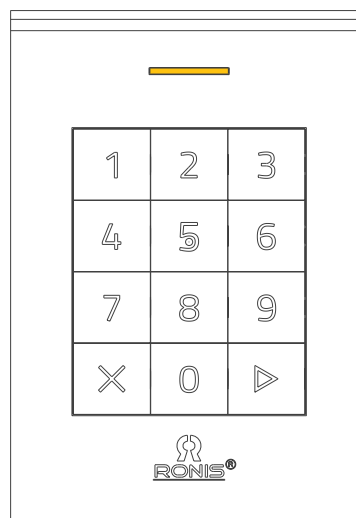


Batteries

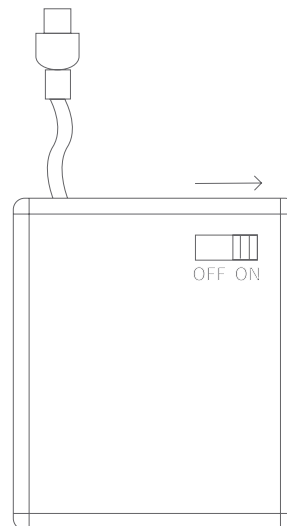
ASSEMBLY

If the yellow LED blinks

Dead batteries: replace batteries.



1. Make sure the battery pack contains full powered batteries (don't screw the battery pack too tight to avoid breaking the mechanism). make sure to use the USB-C adaptor.
2. If the lock is closed, introduce the user code (or the master one) to open it.
3. Replace the old batteries for new ones and disconnect the battery pack.



Important

We suggest to change once every three years the batteries for ensure their good condition. After a long time, the batteries can deteriorate

and damage the lock, especially in hot environments

Do not clean the locks with cleaning

products with hydrochloric acid, lye or corrosive components, especially on the metallic parts.

